

**UNIT - II
BAHADURGARH (HARYANA)**

POWERMAT
Global Commitment



One of the largest LT insulator manufacturing company in the world

Unit - I (Bahadurgarh)

❖ Total Area : 6500 sqm

Corporate Office (Delhi)

❖ Total Area : 147 sqm

Unit - II (Bahadurgarh)

❖ Total Area : 22,575 sqm

❖ Total Manpower : 300

Certificates :

❖ ISO, UL, CE, RoHS, REACH



- ❖ Own Design Department with product and mould design facilities
- ❖ Own tool room with CNC machines for developing new moulds
- ❖ Own Lab & Test facilities for Mechanical, Electrical, Flammability tests.
- ❖ Manufacturing facilities include:
 - Compression Moulding
 - Epoxy Moulding
 - Injection Moulding
 - Resin Casting
 - Pultrusion
 - Metal Machining

**UNIT - I
BAHADURGARH (HARYANA)**



Company Profile

Powercam Electricals (P) Ltd was incorporated in the year 1990 with the objective of providing quality components for Electrical Control Panels, Distribution Boards, EV Charging Station & Bus Ducts. The Company is operating in Indian and International Markets and producing wide range of control panel and distribution board components like Standoff Insulators and Busbar Supports in Thermoset & Thermoplastic Engineered Materials, Medium Voltage Insulators in Epoxy cast resin, Push Buttons, Pilot lamps, Current Transformers, Potential Transformers, Panel locks, Hingers, Handles, Air vents, Documents Holders, terminal connectors, FRP Pultruded Tubes, rods, angles, flats & PVC Heat Shrinkable Sleeves under the Brand name of **POWERMAT**.

From the time of inception, the company has grown its designing, engineering, tooling, manufacturing, and testing capabilities to become the market leaders in the field. At, **POWERMAT**, we are striving to understand changing customer needs and enrich the quality of their products by simply making the technology readily usable for them. We are proud to have trained professionals, who study, design, develop, enhance, customize and use of various aspects of products manufactured by us. The quality and design have always been the most emphasized area at **POWERMAT** MANUFACTURING facilities. A free technical consultancy service is available for Short Circuit Testing for designing of Power control centres with **POWERMAT** Products. **POWERMAT** is committed for excellence in quality and our design department provides different application data to customers for ASTA, KEMA, CPRI & ERDA Testing. There is an ongoing philosophy of research and development in providing advance solutions to customer requirements.

POWERMAT has its own compounding of DMC & SMC Materials which are UL Certified under different standards. The DMC & SMC materials are fully complaint with European Union directives 2002/95/ec FOR Restriction of use of Hazardous Substances in electrical and electronics equipment's (RoHS). The moulding facilities of the company have fully automatic compression moulding machine from 20 tons to 500 tons capacity, plastic injection moulding machines up to 330 ton, APG plant up to 300 tons & two Pultrusion lines with auto mode facility. The company has Computer Aided Designing with integrated Tool Room facilities for producing critical dimensions of dies and moulds. By skilful composition of high-quality material and tooling technology, the economics of scale have been achieved to produce low-cost components without sacrificing mechanical strength and electrical performance of the products.

POWERMAT has its own testing facilities for testing of raw materials, SMC, DMC & other plastic components for physical, mechanical & electrical properties as per ASTM, IEC, JIS & UL Test methods. The jigs and fixtures are designed for testing different finished components depending on their application in the final products.

The company is always willing to accept Ideas provided by its Employees at all level & its valued customer for its product use in control panels, Bus Ducts, rising main & distribution Boards and translates those ideas to manufacture of various types of products which has resulted into one of the largest ranges of busbar supports and standoff insulators.

The Future

POWERMAT aims to continue to grow exponentially through major expansion program in the coming years by introducing a range of products for electric Panel Boards, Solar Industries, EV Industries & Planning to cater Real estate industries by replacing the steel with FRP rebars etc.

Quality Policy

The Quality Policy of **Powercam Electricals Private Limited** is as follows:

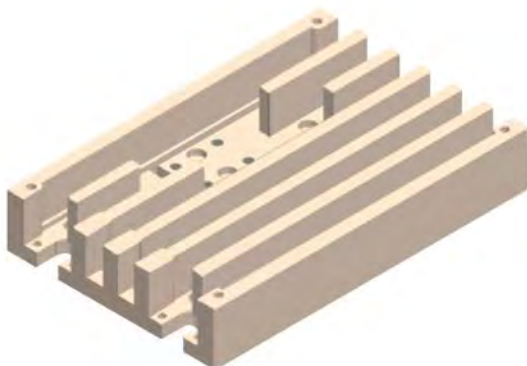
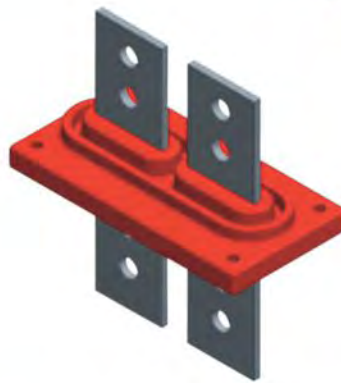
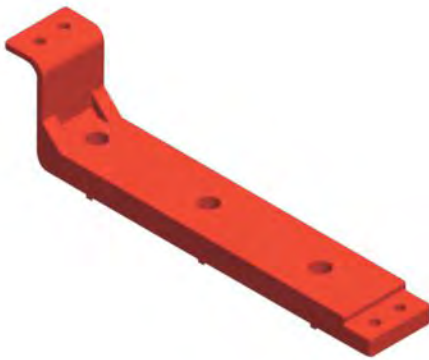
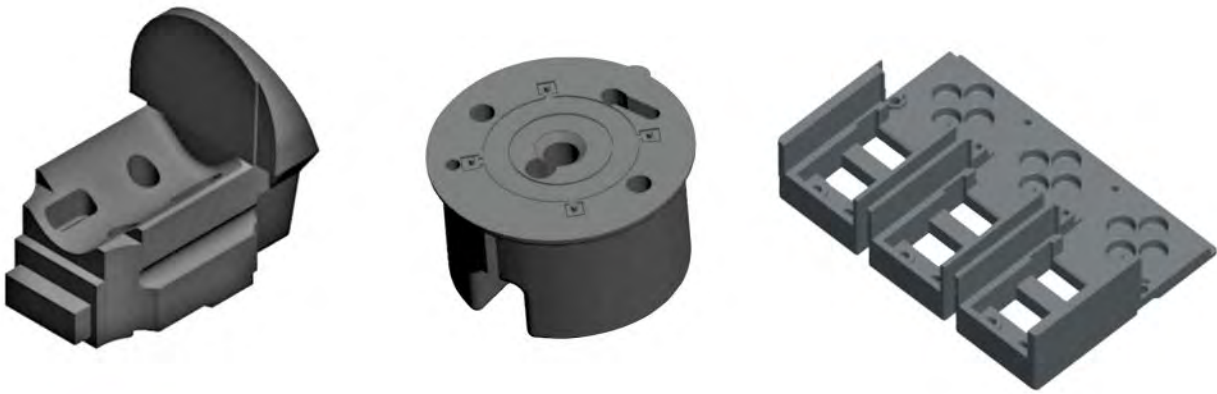
To meet or exceed customer satisfaction.

To continue to foster superior innovations, quality, price, performance up to customer requirement.

The Range



Customized Parts



Quality Certifications



Certificate of Registration

This is to certify that the Quality Management System of
POWERCAM ELECTRICALS PVT. LTD.
 (UNIT -II)
 Khasra No 40/ 21, 22min, 45/ 1, 10 & 11/1/1, Bahadurgarh Bypass,
 Bahadurgarh, Kasar, Jhajjar -124508, Haryana, India
 Has been found to the Quality Management System Standard
ISO 9001:2015

This Certificate is valid for the following Product or service range

Design, Manufacturing, and Testing of A Wide Range of Electrical Insulation Products:
Standoff Insulators: Design and manufacturing of standoff insulators for electrical applications, meeting specifications for low voltage and medium voltage systems.
Bus Bar Support: Design and manufacturing of bus bar support components to support electrical conductors within various applications.
Electrical Insulation Parts and Sheets: Production of electrical insulation parts and sheets with fabrication capabilities for use in low voltage and medium voltage applications.
Custom Moulded Products: Manufacturing of custom-moulded insulation products designed to meet specific requirements across a variety of insulation applications. This includes utilizing different moulding technologies such as compression moulding, injection moulding, pultrusion moulding, and APG epoxy casting.
In-House Tooling & Testing Facility: Providing in-house capabilities for the development and testing of both raw materials and finished products to ensure compliance with quality standards.
Panel Accessories: Production of panel accessories, including but not limited to indication lamps, current transformers, potential transformers, metal fabricated parts, fan louvers, meters, relays, neutral links, and locks.
DMC/BMC and SMC Compounds: Manufacturing using various DMC (Dough Moulding Compound), BMC (Bulk Moulding Compound), and SMC (Sheet Moulding Compound) compounds for electrical, automotive, and general moulding applications.

Issued by 
 Authorized Signatory KVQA
Certificate No.: KDACQ202310032
 Date of Issue: 05, October, 2023
 Valid Until: 04, October, 2026*

1st Surveillance Due On: 05/09/2024 - Done On:
 2nd Surveillance Due On: 05/09/2025 - Done On:




CB-QMS-045

To Check the Status of the Certification, kindly log on to www.kvqa.in
 F-200, Sector-02, Noida (U.P.), India. Ph: 011-27111940, 27111941
 email: info@kvqa.com, kvqa@kvqa.com
 *Subject to successful completion of surveillance audits



Certificate of Registration

This is to certify that the Environmental Management System of
POWERCAM ELECTRICALS PVT. LTD.
 (UNIT -II)
 Khasra No 40/ 21, 22min, 45/ 1, 10 & 11/1/1, Bahadurgarh Bypass,
 Bahadurgarh, Kasar, Jhajjar -124508, Haryana, India
 Has been found to the Environmental Management System Standard
ISO 14001:2015

This Certificate is valid for the following Product or service range

Design, Manufacturing, and Testing of A Wide Range of Electrical Insulation Products:
Standoff Insulators: Design and manufacturing of standoff insulators for electrical applications, meeting specifications for low voltage and medium voltage systems.
Bus Bar Support: Design and manufacturing of bus bar support components to support electrical conductors within various applications.
Electrical Insulation Parts and Sheets: Production of electrical insulation parts and sheets with fabrication capabilities for use in low voltage and medium voltage applications.
Custom Moulded Products: Manufacturing of custom-moulded insulation products designed to meet specific requirements across a variety of insulation applications. This includes utilizing different moulding technologies such as compression moulding, injection moulding, pultrusion moulding, and APG epoxy casting.
In-House Tooling & Testing Facility: Providing in-house capabilities for the development and testing of both raw materials and finished products to ensure compliance with quality standards.
Panel Accessories: Production of panel accessories, including but not limited to indication lamps, current transformers, potential transformers, metal fabricated parts, fan louvers, meters, relays, neutral links, and locks.
DMC/BMC and SMC Compounds: Manufacturing using various DMC (Dough Moulding Compound), BMC (Bulk Moulding Compound), and SMC (Sheet Moulding Compound) compounds for electrical, automotive, and general moulding applications.

Issued by 
 Authorized Signatory KVQA
Certificate No.: KDACE202310003
 Date of Issue: 05, October, 2023
 Valid Until: 04, October, 2026*

1st Surveillance Due On: 05/09/2024 - Done On:
 2nd Surveillance Due On: 05/09/2025 - Done On:




CB-EMS-045

To Check the Status of the Certification, kindly log on to www.kvqa.in
 F-200, Sector-02, Noida (U.P.), India. Ph: 011-27111940, 27111941
 email: info@kvqa.com, kvqa@kvqa.com
 *Subject to successful completion of surveillance audits



Certificate of Registration

This is to certify that the Occupational Health & Safety Management System of
POWERCAM ELECTRICALS PVT. LTD.
 (UNIT -II)
 Khasra No 40/ 21, 22min, 45/ 1, 10 & 11/1/1, Bahadurgarh Bypass,
 Bahadurgarh, Kasar, Jhajjar -124508, Haryana, India
 Has been found to the Occupational Health & Safety Management System
 Standard
ISO 45001:2018

This Certificate is valid for the following Product or service range

Design, Manufacturing, and Testing of A Wide Range of Electrical Insulation Products:
Standoff Insulators: Design and manufacturing of standoff insulators for electrical applications, meeting specifications for low voltage and medium voltage systems.
Bus Bar Support: Design and manufacturing of bus bar support components to support electrical conductors within various applications.
Electrical Insulation Parts and Sheets: Production of electrical insulation parts and sheets with fabrication capabilities for use in low voltage and medium voltage applications.
Custom Moulded Products: Manufacturing of custom-moulded insulation products designed to meet specific requirements across a variety of insulation applications. This includes utilizing different moulding technologies such as compression moulding, injection moulding, pultrusion moulding, and APG epoxy casting.
In-House Tooling & Testing Facility: Providing in-house capabilities for the development and testing of both raw materials and finished products to ensure compliance with quality standards.
Panel Accessories: Production of panel accessories, including but not limited to indication lamps, current transformers, potential transformers, metal fabricated parts, fan louvers, meters, relays, neutral links, and locks.
DMC/BMC and SMC Compounds: Manufacturing using various DMC (Dough Moulding Compound), BMC (Bulk Moulding Compound), and SMC (Sheet Moulding Compound) compounds for electrical, automotive, and general moulding applications.

Issued by 
 Authorized Signatory KVQA
Certificate No.: KDACO202310003
 Date of Issue: 05, October, 2023
 Valid Until: 04, October, 2026*

1st Surveillance Due On: 05/09/2024 - Done On:
 2nd Surveillance Due On: 05/09/2025 - Done On:




CB-OHSM-045

To Check the Status of the Certification, kindly log on to www.kvqa.in
 F-200, Sector-02, Noida (U.P.), India. Ph: 011-27111940, 27111941
 email: info@kvqa.com, kvqa@kvqa.com
 *Subject to successful completion of surveillance audits



Certificate OF REGISTRATION

Powercam Electricals Private Limited

Address: F-9, Shopping Centre-I, Mansarovar Garden, New Delhi-110015
 Manufacturing Site: 09, 11, 12, 63, 64, 65, 66 M.I.E. Part-A, Bahadurgarh, Haryana (124507, India
 has submitted Declaration of Conformity (dated: 31-08-2022) according to
**Council Low Voltage Directive 2006/95/EC
 IEC-60947-5-1, IEC-60044-1:1996, EN 14598-3:5**
 Organization has been assessed and found to be conforming to the requirements of the stated directive and standards submitted through Declaration of conformity

Hence manufacturer places the UKCA marking with his own responsibility as follows:



For the Products of
Current Transformers, Epoxy, SMC & BMC based Bus bar supports and standoff Insulators for low and medium voltage applications, Pilot Lights, Push Buttons, Polyamide based Standoff Insulators and bus bar Supports, Air Vent and Document Holder under the brand name "Powermat"

(Further description of the products / devices covered by this certificate are given in the Annexure attached)

By QSA International, UK.

Registration Number :QSA-21123055
 Initial Certification Date :13 Sep 2022
 Certification Expiry Date : 12 Sep 2025




 Certification Manager



QSA INTERNATIONAL LIMITED
 27, Old Gloucester Street,
 London, WC1E 7BE, ENGLAND



CGA
 Conformity Assessment

Email: info@qsai.co.uk
 Web: www.qsai.co.uk

Registered with Registrar of Companies for England and Wales through registration number 1181913
 The company is a company of Great Britain. It is currently restricted to doing business outside the United Kingdom

Quality Certifications

CERTIFICATE
ZED GOLD
under MSME Sustainable (ZED) Certification Scheme awarded to

POWERCAM ELECTRICALS PVT LTD
Flat No- 40/ 21, 22 min. Building- 45 ft. 10 & 11/11, Road/Street- BAHADURGARH BYEPASS, Village/Town- KASAR, Block- BAHADURGARH, City- BAHADURGARH, HAZAJAR, HARYANA-124508

27-Manufacture of electrical equipment

Issued on: September 15, 2023

EEPC INDIA (FORMERLY ENGINEERING EXPORT PROMOTION COUNCIL)
REGISTRATION - CUM - MEMBERSHIP CERTIFICATE

Name of the exporter	POWERCAM ELECTRICALS PRIVATE LIMITED		
IEC Number	160103271	PAN	AAAC0982E
Date of Birth / Incorporation	2011/1990		
Address of the Registered/Head Office	F-46, MANSAKOVSR GARDENS NEW DELHI, 110015, WEST DELHI, DELHI		
Nature of Concern	Private Limited		
Description of goods services for which registered	BUSBAR INSULATOR AND SUPPORT AND LV CONTROL PANEL ACCESSORIES		
Registration Number	R/CM/EEPC/INDIA/01/20/2023-2024		
Issued against File Number	R/CM/RENEW/EEPC/INDIA/0003586/AMSD		
Registered as	Manufactures' Exporter		
Name of the Proprietor/ Partner(s)/Director(s)/Karta	Koder Singh /Shubhika/Kanishk Bhadwani		

Issue Date: 15/09/2023 | Renew upto: 31/03/2024



QSA INTERNATIONAL Certificate OF REGISTRATION

Powercam Electricals Private Limited
Address: F-9, Shopping Centre-4, Mansarovar Garden, New Delhi-110015
Manufacturing Site: 09, 11, 12, 63, 64, 65, 66 M.E. Part-A, Bahadurgarh, Haryana 124507, India

Has submitted Declaration of Conformity (Ref. No. UO116-01, Dated: 14/01/2024) according to
Current Low Voltage Directive 2006/95/EC IEC-60947-5-1, IEC-60044-1:1998, EN 14598-3-5.

Organization has been assessed and found to be conforming to the requirements of the stated directive and standards submitted through Declaration of conformity

Hence manufacturer places the CE marking with his own responsibility as follows:

CE

For the Products of
Current Transformers, SMC & BMC based Bus bar supports and standoff Insulators, Pilot Lights, Push Buttons, Polyamide based Standoff Insulators and bus bar Supports, Air Vent and Document Holder under the brand name "Powercam"

(Further description of the products / devices covered by this certificate are given in the Annexure attached)

By QSA International, UK
Certification Issue Date: 17/01/2024 - Certification Expiry Date: 16/01/2025

Registration Number: QSA-1502392
Initial Certification Date: 28 Feb 2013
Re-Certification Date: 17 Jan 2024
Certification Expiry Date: 16 Jan 2027

CGA



Government of India / भारत सरकार
Ministry of Commerce and Industry / वणिज्य और उद्योग विभाग
Department of Commerce / वणिज्य विभाग
Directorate General of Foreign Trade / विदेश व्यापार प्राधिकरण

मान्यता प्रमाणपत्र
Certificate of Recognition
एक तारा निर्यात हाउस
One Star Export House

संस्था (Name): POWERCAM ELECTRICALS PRIVATE LIMITED
(आई.टी.डी. नं. 0501018271) द्वारा (आर.एन.ए. नं. AAAC0982E) को विदेश व्यापार विभाग, 2023 के प्रारम्भ में अनुमति एक तारा निर्यात हाउस का दर्जा प्रदान किया गया है। (आर.एन.ए. नं. 0501018271) को 31/03/2025 तक मान्यता प्रमाणपत्र प्रदान किया गया है।

Min POWERCAM ELECTRICALS PRIVATE LIMITED (IEC: 0501018271) having Income Tax PAN AAAC0982E, are hereby accorded the status of One Star Export House in accordance with the provisions of the Foreign Trade Policy, 2023. This Certificate is valid for a period of 3 years effective from 01/10/2023 to 31/03/2028 subject to the conditions prescribed in Hand Book of Procedures, 2023.

संस्था (Name): 11/10/2023
आर.एन.ए. (File No.): DLJSTATAPPLY0008215/AMSD

Gangadhar Pandit
Additional DGFT

UDYAM REGISTRATION CERTIFICATE

TYPE OF ENTERPRISE	SMALL	MANUFACTURING
UDYAM REGISTRATION NUMBER	UDYAM-DL-45-001449	
NAME OF ENTERPRISE	POWERCAM ELECTRICALS PVT LTD	
SOCIAL CATEGORY OF ENTREPRENEUR	General	
NAME OF UNITS	Unit 1: 45/10/2023 POWERCAM ELECTRICALS PVT LTD	Unit Name: POWERCAM ELECTRICALS PVT LTD
OFFICIAL ADDRESS OF ENTERPRISE	Plot No. 40/21, 22 min. Building- 45 ft. 10 & 11/11, Road/Street- BAHADURGARH BYEPASS, Village/Town- KASAR, Block- BAHADURGARH, City- BAHADURGARH, HAZAJAR, HARYANA-124508	State: HARYANA
DATE OF INCORPORATION/REGISTRATION OF ENTERPRISE	20/11/1990	
DATE OF COMMENCEMENT OF PRODUCTION/BUSINESS	15/06/1995	
NATIONAL INDUSTRY CLASSIFICATION (NIC)	27 - Manufacture of electrical equipment	2710 - Manufacture of electrical equipment
DATE OF UDYAM REGISTRATION	16/12/2023	

BE A CHAMPION with the Ministry of MSME

Insulating Material for Low Voltage Busbar Supports, Standoff Insulators & Spacers for Electronics Application:

An electrical insulator is a material whose internal electric charges do not flow freely, and therefore make it very hard to conduct an electric current under the influence of an electric field. A perfect insulator does not exist, because a portion of the insulator could become electrically conductive if the voltage applied across it exceeds the breakdown voltage. This is known as breakdown voltage of an insulator. Insulating busbar supports allow the fixation of a copper or aluminum bar or busbar. We use following material which are meant for various Application and Industries.

- 1. Dough Molding Compound (UL Grade: PD-20),**
DMC available for both compression molding & Injection molding & have application in making low to medium voltage insulators up to 33 KV & as well as in making complex profile.
- 2. Sheet Molding Compound (UL Grade: PS-25),**
SMC available for Compression molding & because of its high mechanical strength is used in making busbar supports & can withstand under higher short circuit conditions.
- 3. G160 Thermoset Material**
G160 material has Class F insulation and is used in making products for higher temperature rating up to 165 deg C.
- 4. Epoxy**
Epoxy Resin is suitable for many Low Voltage as well as for High Voltage Standoff Insulators.
- 5. Pultrusion Compound (UPR , VE , Blends & Epoxy)**
Pultrusion is a continuous process for making many profile like solid rods , tubes , Flats , angles & many customized parts. The products made from Pultrusion process has higher mechanical & electrical properties in entire family of Thermoset Resin except Polyimide.
- 6. Polyamide 6 & Polyamide 6.6 (UL Grade: HB & V0),**
PA 6,6 available for Injection Molding & because of its high electrical & mechanical properties, is used for making Standoff insulators, Flexible Modular Supports & many customized parts for various other non-electrical applications etc.
- 7. PBT (V-0 Grade)**
PBT is an Engineering thermoplastic material, is used in making various standoff insulators and many customized non-electrical parts.
- 8. PPS (V-0 Grade)**
Because of its high mechanical strength and temperature withstanding capacity, it is used in making Standoff Insulators and many customized non-electrical parts.
- 9. Other Thermoplastic Material**
We use ABS, HTN, PC etc for making Non-electrical customized parts.

PROPERTIES	UNITS	TEST METHODS	VALUES		
			SMC	DMC	POLYAMIDE
UL Certificate Approval			E 249670	E 249670	-
Physical					
Specific Gravity	-	ASTM D-792	1.7	1.9	1.39 to 1.6
Glass Contents	%	N/A	25	15	25 to 33
Water Absorption (24 Hrs)	%	ISO 62	0.2	0.15	0.7 to 1.2
Mechanical					
Tensile Strength	(Kgf/cm ²)	ISO 527	700	400	1500-1600
Flexural Strength	(Kgf/cm ²)	ISO 178	1550	900	2400-2600
Impact Strength Izod	(J/m)	ISO 179	600	250	117
Compressive Strength	(Kgf/cm ²)	ASTM D695	1800	1500	NA
Electrical					
Dielectric Strength	(KV/mm)	IEC60243-1	12	10	20
Comparative Tracking Index	(Volts)	IEC60112	>600	>600	285 for V0 Grade / 600 for HB Grade
ARC Resistance	(Secs.)	D-495	180	180	60-120
Flammability Index	-	UL-94	V-0	V-0	V0 Grade/HB Grade
Glow Wire Ignition Test Over 3mm Thickness Specimen	(°C)	IEC-60695-2-11	960	960	960 for V0 Grade & 746 for HB Grade
Hot Wire Ignition Test	(Secs.)	D-3874	>120	>120	-
RTI, Str (Thickness 3mm)	(°C)	UL-746B	130	130	130
RTI, Elect. (Thickness 3mm)	(°C)	UL-746B	105	105	130
High Voltage Arc Tracking Rate	(mm/min)	UL-746A	0 through 10	0 through 10	over 10 through 25.4
High Amp Arc Ignition	(mean no. or arcs)	UL-746A	>120	>120	>120
Material Group	-	IEC-60112	1	1	3A for V0 Grade & 1 For HB Grade
Pollution Degree	-	IEC-60950	3	3	3
Insulation Class	-	as per NEMA	B	B	B
Working Temp	(°C)	-	(-) 40°C to 130°C	(-) 40°C to 130°C	(-) 40°C to 130°C

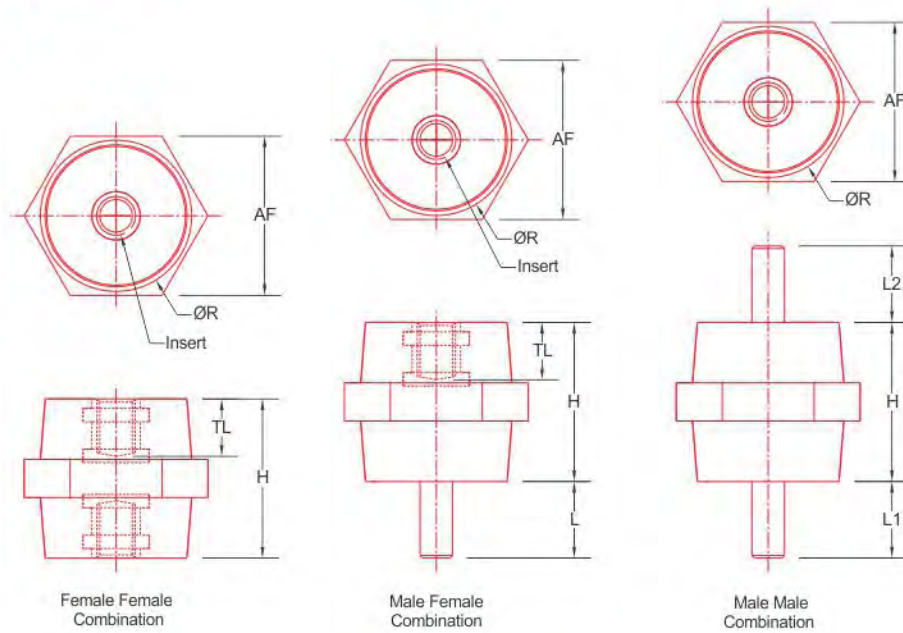
GENERAL TOLERANCE CHART (as per DIN ISO 2768)		
Lin. DIM. (in mm)	Moulded Part	Metal Part
0.5 to 6	± 0.2 mm	± 0.1 mm
6 to 30	± 0.3 mm	± 0.2 mm
30 to 120	± 0.8 mm	± 0.3 mm
120 to 400	± 1.5 mm	± 0.5 mm
400 to 1000	± 2.0 mm	± 0.8 mm

THE ABOVE VALUES ARE FOR THE STANDARD FORMULATION FOLLOWED BY THE COMPANY. WE HAVE FACILITIES FOR MANUFACTURING SMC, DMC & POLYAMIDE ACCORDING TO THE CUSTOMER REQUIREMENTS.
(SMC = SHEET MOULDING COMPOUND)
(DMC = DOUGH MOULDING COMPOUND)

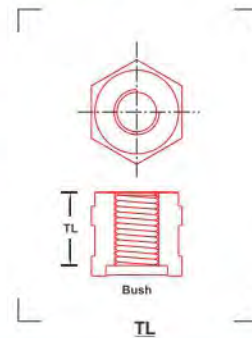
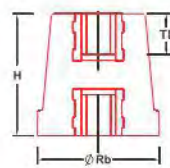
IMPORTANT NOTE
FOR TECHNICAL NOTES OF DMC, SMC, BUS BAR SUPPORTS, SHORT CIRCUIT AND FAULT LEVEL CALCULATIONS PLEASE ASK FOR OUR LATEST TECHNICAL NOTES 02/18 OR FAULT LEVEL CALCULATOR 13/01

ALL DATA GIVEN IN THIS CATALOGUE HAS BEEN DETERMINED CAREFULLY AT THE COMPANY'S TEST LAB. WITH THE VARIETY OF PURPOSE FOR WHICH THE PRODUCTS ARE USED, AND THE METHODS AND APPLICATION TECHNIQUES EMPLOYED, HOWEVER THE DATA AND INFORMATION ARE GIVEN ONLY AS A GUIDE, AND ARE NOT BINDING. NO GUARANTEE OF THERE AUTHENTICITY CAN THEREFORE BE ASSUMED IN ALL SITUATIONS THE COMPANY RESERVES THE RIGHT TO MODIFY FEATURES WITHOUT PRIOR NOTICE IN VIEW OF CONTINUED IMPROVEMENTS AND DEVELOPMENTS.

Standoff Insulator



All Types of Standoff Insulators can be made in Male-Female & Male-Male studs combination



Conical

Part No. (Insert)	Height (H) mm	Dimension			Nominal Voltage (AC / DC)	Std. Pkg. (Nos.)	Box Wt. (Kg.)
		Rt Ø mm	Rb Ø mm	TL mm			
C 625 (M6)	25	19	25	7	1000/1400	200	5.000
C 630 (M6)	30	25	30	9	1200/1600	50	2.050
C 830 (M8)	30	25	30	9	1200/1600	50	2.150
C 635 (M6)	35	28	35	12	1400/1900	50	3.500
C 835 (M8)	35	28	35	12	1400/1900	50	3.700
C 640 (M6)	40	33	40	12	1600/2200	50	4.400
C 840 (M8)	40	33	40	12	1600/2200	50	4.800
C 1040 (M10)	40	33	40	12	1600/2200	50	5.200
C 645 (M6)	45	36	45	12	1800/2500	25	2.900
C 845 (M8)	45	36	45	12	1800/2500	25	3.200
C 850 (M8)	50	40	50	17	2000/2800	25	4.000
C 1050 (M10)	50	40	50	17	2000/2800	25	4.000
C 1250 (M12)	50	40	50	17	2000/2800	25	4.200
C 1060 (M10)	60	40	50	17	2400/3300	25	4.800
C 1260 (M12)	60	40	50	17	2400/3300	25	5.000
C 1070 (M10)	70	41	50	22	2800/3900	25	5.800
C 1270 (M12)	70	41	50	22	2800/3900	25	6.000
C 1275 (M12)	75	41	50	25	3000/4200	25	7.000
C 1280 (M12)	80	41	50	25	3200/4400	25	7.800

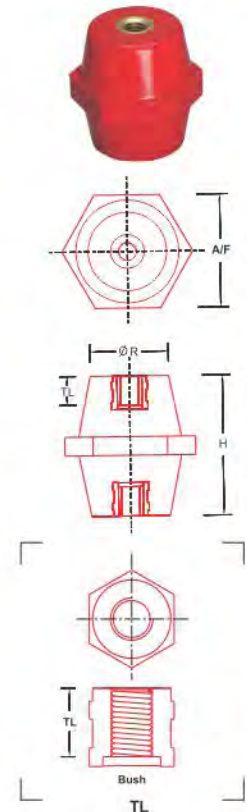
- Material : DMC (Dough Moulding Compound) UL File No. QEUJ2.E249670 (Halogen Free)
- Product : UL Certification File No. QEUJ2.E314972
- All Dimensions are in MM
- TL : Effective Thread Length
- All Insulators are certified



- Insert : Aluminium / Brass / Steel (Zinc Passivated) / Stainless Steel
- Mounting Detail on Page No. 80
- Insert Material detail on page no. 83
- For maximum torque please see page no. 83

- For technical details of Busbar support & Insulator, please refer POWERMAT TECHNICAL NOTES - 02/18.
- For checking the suitability of a support & insulator for a fault current, please ask for POWERMAT FAULT LEVEL CALCULATOR Software.

Hexagonal

Part No. (Insert)	Height (H) mm	Dimension			Nominal Voltage (AC / DC)	Std. Pkg. (Nos.)	Box Wt. (Kg.)
		AF mm	Ø R mm	TL mm			
H 312 (M3)	12	8	7	3	500/700	500	1.500
H 416 (M4)	16	14	11	3.5	640/800	400	2.000
H 516 (M5)	16	14	11	3.5	640/800	400	2.000
H 420 (M4)	20	18	14	5	800/1100	200	2.000
H 520 (M5)	20	18	14	5	800/1100	200	2.000
H 620 (M6)	20	18	14	5	800/1100	200	2.200
H 425 (M4)	25	21	16	7	1000/1400	200	4.450
H 525 (M5)	25	21	16	7	1000/1400	200	4.500
H 62125 (M6)	25	21	16	7	1000/1400	100	3.500
H 625 (M6)	25	25	22	7	1000/1400	200	4.500
MH 625 (M6)	25	19	17	7	1000/1400	200	4.200
H 825 (M8)	25	33	25	7	1000/1400	50	2.600
H 630 (M6)	30	32	25	9	1200/1600	50	2.500
H 830 (M6)	30	32	25	9	1200/1600	50	2.800
H 1030 (M10)	30	32	25	9	1200/1600	50	3.100
H 635 (M6)	35	32	26	12	1400/1900	50	3.500
H 835 (M8)	35	32	26	12	1400/1900	50	3.500
DLH 835 (M8)	35	35	26	12	1400/1900	50	3.800
MH 835 (M8)	35	40	33	12	1400/1900	50	4.700
H 1035 (M10)	35	32	26	12	1400/1900	50	3.600
MH 1035 (M10)	35	40	33	12	1400/1900	50	4.700
H 640 (M6)	40	39	30	12	1600/2200	50	4.600
H 840 (M8)	40	39	30	12	1600/2200	50	4.800
H 1040 (M10)	40	39	30	12	1600/2200	50	4.700
H 645 (M6)	45	40	32	12	1800/2500	25	3.200
H 845 (M8)	45	40	32	12	1800/2500	25	3.200
H 1045 (M10)	45	40	32	12	1800/2500	25	3.900
H 650 (M6)	50	46	35	12	2000/2800	25	3.800
H 850 (M8)	50	46	35	17	2000/2800	25	3.800
H 1050 (M10)	50	46	35	17	2000/2800	25	4.000
ENH 1050 (M10)	50	50	44	17	2000/2800	20	4.000
H 1250 (M12)	50	46	35	17	2000/2800	25	4.000
H 860 (M8)	60	50	38	17	2400/3300	25	4.800
H 1060 (M10)	60	50	38	17	2400/3300	25	5.000
H 1260 (M12)	60	50	38	17	2400/3300	25	4.846
ENH 1660 (M16)	60	60	55	22	2400/3300	20	5.800
H 865 (M8)	65	55	41	17	2600/3600	25	6.260
H 1065 (M10)	65	55	41	17	2600/3600	25	6.260
H 1265 (M12)	65	55	41	17	2600/3600	25	6.500
H 1070 (M10)	70	55	41	22	2800/3900	25	6.800
H 1270 (M12)	70	55	41	22	2800/3900	25	6.860
H 1670 (M16)	70	55	41	22	2800/3900	25	7.000
H 1075 (M10)	75	53	42	22	3000/4200	25	7.000
H 1275 (M12)	75	53	42	22	3000/4200	25	7.000
H 1076E (M10)	76	50	34	22	3000/4200	25	5.700
H 1276E (M12)	76	50	34	22	3000/4200	25	5.750



- Material : DMC (Dough Moulding Compound)  UL File No. QEU2.E249670 (Halogen Free)
- Product : UL Certification File No. QEU2.E314972
- All Dimensions are in MM
- TL : Effective Thread Length
- All Insulators are  certified

- Insert : Aluminium / Brass / Steel (Zinc Passivated) / Stainless Steel
- Mounting Detail on Page No. 80
- Insert Material detail on page no. 83
- For maximum torque please see page no. 83

- For technical details of Busbar support & Insulator, please refer POWERMAT TECHNICAL NOTES - 02/18.
- For checking the suitability of a support & insulator for a fault current, please ask for POWERMAT FAULT LEVEL CALCULATOR Software.

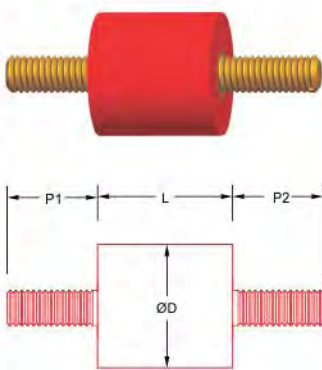
Standoff Insulator

Drum


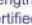


Part No. (Insert)	Height (H) mm	Dimension			Nominal Voltage (AC / DC)	Std. Pkg. (Nos.)	Box Wt. (Kg.)
		AF mm	Ø R mm	TL mm			
D 420 (M4)	20	18	14	5	800/1100	200	3.500
D 620 (M4)	20	18	14.5	5	800/1100	200	3.500
D 425 (M4)	25	21	16	7	1000/1400	200	4.200
D 625 (M6)	25	21	16	7	1000/1400	200	4.288
D 630 (M6)	30	33	25	9	1200/1600	50	2.600
D 830 (M8)	30	33	26	9	1200/1600	50	2.800
D 635 (M6)	35	32	26	12	1400/1900	50	2.676
D 835 (M8)	35	32	26	12	1400/1900	50	3.016
D 1035 (M10)	35	32	26	12	1400/1900	50	3.400
D 840 (M8)	40	39	30	12	1600/2200	50	4.400
D 1040 (M10)	40	39	30	12	1600/2200	50	4.500
D 845 (M8)	45	41	32	12	1800/2500	25	2.620
D 1045 (M10)	45	41	32	12	1800/2500	25	2.720
D 1245 (M12)	45	41	32	12	1800/2500	25	2.761
D 850 (M8)	50	48	36	17	2000/2800	25	3.600
D 1050 (M10)	50	48	36	17	2000/2800	25	3.664
D 1250 (M12)	50	48	36	17	2000/2800	25	3.828
D 851E (M8)	51	35	27	17	2040/2800	50	4.800
D 1051E (M10)	51	35	27	17	2040/2800	50	5.000
D 860 (M8)	60	52	38	17	2400/3300	25	4.500
D 1060 (M10)	60	52	37	17	2400/3300	25	4.570
D 1260 (M12)	60	52	37	17	2400/3300	25	4.600
D 865 (M8)	65	55	41	22	2600/3600	25	6.500
D 1065 (M10)	65	55	41	22	2600/3600	25	6.500
D 1265 (M12)	65	55	41	22	2600/3600	25	6.240
D 1070 (M10)	70	55	42	22	2800/3900	25	7.000
D 1270 (M12)	70	55	42	22	2800/3900	25	7.000
D 1075 (M10)	75	55	42	22	3000/4200	25	7.000
D 1275 (M12)	75	55	42	22	3000/4200	25	7.000
D 1276 (M12)	76	50	34	22	3000/4200	25	6.000

Cylindrical Series (Male - Male Combination)



Part No.	Ø D mm	L mm	P1 mm	P2 mm	Nominal Voltage (AC / DC)	Std. Pkg. (Nos.)	Box Wt. (Kg.)
CY14.14-M4.10-M4.10	14	14	M4X10	M4X10	500/700	200	1.700
CY14.14-M5.10-M5.10	14	14	M5X10	M5X10	500/700	200	1.720
CY14.14-M6.10-M6.10	14	14	M6X10	M6X10	500/700	200	1.800
CY14.14-M6.10-M6.15	14	14	M6X10	M6X15	500/700	200	1.800
CY14.14-M6.15-M6.15	14	14	M6X15	M6X15	500/700	200	1.850
CY20.18-M6.07-M6.15	20	18	M6X7	M6X15	700/900	200	3.700
CY20.18-M6.15-M6.15	20	18	M6X15	M6X15	700/900	100	2.100
CY20.18-M8.08-M8.25	20	18	M8X8	M8X25	700/900	100	2.900
CY20.18-M8.20-M8.20	20	18	M8X20	M8X20	700/900	100	3.000

- Material : DMC (Dough Moulding Compound)  UL File No. QEU2.E249670 (Halogen Free)
- Product : UL Certification File No. QEU2.E314972
- All Dimensions are in MM
- TL : Effective Thread Length
- All Insulators are  certified

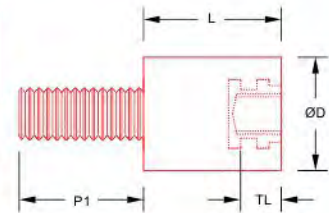
- Insert : Aluminium / Brass / Steel (Zinc Passivated) / Stainless Steel
- Mounting Detail on Page No. 80
- Insert Material detail on page no. 83
- For maximum torque please see page no. 83

- For technical details of Busbar support & Insulator, please refer POWERMAT TECHNICAL NOTES - 01/15.
- For checking the suitability of a support & insulator for a fault current, please ask for POWERMAT FAULT LEVEL CALCULATOR Software.

Standoff Insulator

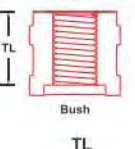
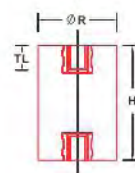
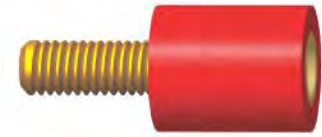
Cylindrical Series (Male - Female Combination)

Part No.	Ø D mm	L mm	P1 mm	TL mm	Nominal Voltage (AC / DC)	Std. Pkg. (Nos.)	Box Wt. (Kg.)
CY14.17-M5.10-F5.07	14	17	M5X10	M5X7	600/800	200	2.200
CY14.17-M6.15-F6.07	14	17	M6X15	M6X7	600/800	200	2.200
CY14.26-M4.10-F4.07	14	26	M4X10	M4X7	1000/1400	200	2.200



Cylindrical

Part No. (Insert)	Height (H) mm	Dimension Ø R mm	TL mm	Nominal Voltage (AC / DC)	Std. Pkg. (Nos.)	Box Wt. (Kg.)
CY 2223 (M8)	23	22	7	900/1200	200	5.600
CY 2225 (M6)	25	22	7	1000/1400	200	5.400
CY 2225 (M8)	25	22	7	1000/1400	200	5.800
CY 2630 (M8)	30	26	9	1200/1600	100	4.200
CY 2630 (M6)	30	26	9	1200/1600	100	4.500
CY 3030 (M6)	30	30	9	1200/1600	50	3.000
CY 3030 (M8)	30	30	9	1200/1600	50	3.200
CY 3030 (M10)	30	30	9	1200/1600	50	3.400
CY 4535 (M10)	35	45	12	1400/1900	25	4.500
CY 3036 (M8)	36	30	12	1500/2000	100	6.500
CY 2640 (M8)	40	26	12	1600/2200	100	6.200
CY 3040 (M6)	40	30	12	1600/2200	100	6.800
CY 3040 (M8)	40	30	12	1600/2200	100	6.900
CY 3040 (M10)	40	30	12	1600/2200	100	7.000
CY 4040 (M8)	40	40	12	1600/2200	50	6.000
CY 4540 (M10)	40	45	12	1600/2200	25	6.220
CY 4040 (M10)	40	40	12	1600/2200	50	6.400
CY 3045 (M10)	45	30	12	1600/2200	50	5.200
CY 2650 (M6)	50	26	12	2000/2800	50	3.800
CY 2650 (M8)	50	26	12	2000/2800	50	3.800
CY 3050 (M6)	50	30	12	2000/2800	50	4.800
CY 3050 (M8)	50	30	17	2000/2800	50	4.800
CY 3050 (M10)	50	30	17	2000/2800	50	4.800
CY 4050 (M8)	50	40	17	2000/2800	50	7.000
CY 4050 (M10)	50	40	17	2000/2800	50	7.000
CYD 4050 (M10)	50	40	17	2000/2800	50	7.000
CY 4550 (M10)	50	45	17	2000/2800	25	6.000
CY 5050 (M10)	50	50	17	2000/2800	25	5.800
CY 5050 (M12)	50	50	17	2000/2800	25	5.800
CY 3051 (M8)	51	30	17	2040/2800	50	4.800
CY 2660 (M6)	60	26	12	2400/3300	50	4.500
CY 2660 (M8)	60	26	17	2400/3300	50	4.500
CY 2660 (M10)	60	26	17	2400/3300	50	4.500
CY 3060 (M6)	60	30	12	2400/3300	50	5.200
CY 3060 (M8)	60	30	17	2400/3300	50	5.200
CY 3060 (M10)	60	30	17	2400/3300	50	5.200
CY 5060 (M10)	60	50	17	2400/3300	25	6.200
CY 5060 (M12)	60	50	17	2400/3300	25	6.200
CY 6060 (M10)	60	60	17	2400/3300	10	3.800
CY 6060 (M12)	60	60	17	2400/3300	10	3.800
CY 2663 (M6)	63	26	12	2500/3500	50	4.800
CY 2663 (M8)	63	26	17	2500/3500	50	4.800
CY 2663 (M10)	63	26	17	2500/3500	50	4.800
CY 3076 (M10)	76	30	22	3000/4200	50	5.800
CY 2690 (M6)	90	26	12	3600/5000	50	5.500

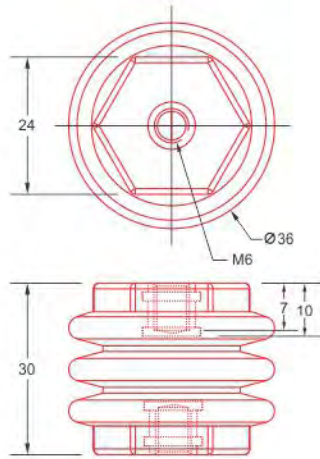


- Material : DMC (Dough Moulding Compound) **UL** File No. QEUY2.E249670 (Halogen Free)
- Product : UL Certification File No. QEUY2.E314972
- All Dimensions are in MM
- TL : Effective Thread Length
- All Insulators are **CE** certified

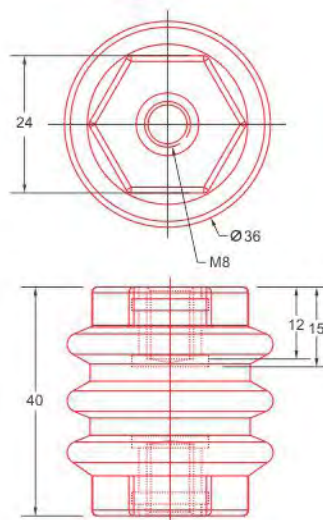
- Insert : Aluminium / Brass / Steel (Zinc Passivated) / Stainless Steel
- Mounting Detail on Page No. 80
- Insert Material detail on page no. 83
- For maximum torque please see page no. 83

- For technical details of Busbar support & Insulator, please refer POWERMAT TECHNICAL NOTES - 01/15.
- For checking the suitability of a support & insulator for a fault current, please ask for POWERMAT FAULT LEVEL CALCULATOR Software.

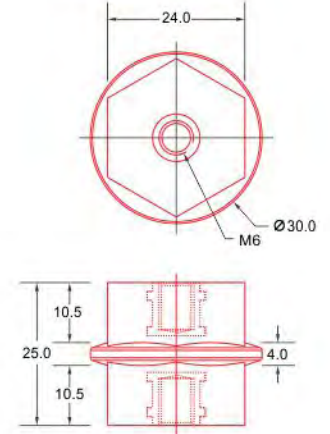
Standoff Insulator



SMV - 0630 (M6)
Pkg.: 50; Wt.: 2.250



SMV - 0840 (M8)
Pkg.: 50; Wt.: 2.500



SMV - 0625 (M6)
Pkg.: 100; Wt.: 2.200

FULL HEX

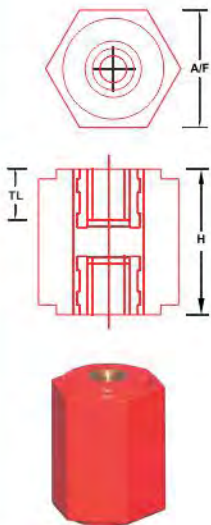
Part No. (Insert)	Height (H) (mm)	TL (mm)	Nominal Voltage (AC / DC)	Std. Pkg. (Nos.)	Box Wt. (Kg.)	Part No. (Insert)	Height (H) (mm)	TL (mm)	Nominal Voltage (AC / DC)	Std. Pkg. (Nos.)	Box Wt. (Kg.)
-------------------	-----------------	---------	---------------------------	------------------	---------------	-------------------	-----------------	---------	---------------------------	------------------	---------------

Hex Face to Face (A/F 14mm)

14HH 415 (M4)	15	3.5	600/800	400	2.654	14HH 515 (M5)	15	3.5	600/800	400	2.600
14HH 420 (M4)	20	5	800/1100	200	2.200	14HH 520 (M5)	20	5	800/1100	200	2.300
14HH 425 (M4)	25	5	1000/1400	200	2.500	14HH 525 (M5)	25	7	1000/1400	200	2.800
						14HH 527 (M5)	27	7	1000/1400	200	2.800

Hex Face to Face (A/F 20mm)

20HH 520 (M5)	20	5	800/1100	300	5.910	20HH 620 (M6)	20	5	800/1100	300	5.786
20HH 525 (M5)	25	7	1000/1400	200	3.869	20HH 625 (M6)	25	7	1000/1400	200	4.670
20HH 530 (M5)	30	9	1200/1600	200	5.600	20HH 630 (M6)	30	9	1200/1600	200	5.670
20HH 535 (M5)	35	12	1400/1900	200	6.800	20HH 635 (M6)	35	12	1400/1900	200	6.800
20HH 540 (M5)	40	12	1600/2200	200	7.620	20HH 640 (M6)	40	12	1600/2200	200	7.800
20HH 545 (M5)	45	12	1800/2500	100	4.100	20HH 645 (M6)	45	12	1800/2500	100	4.170
20HH 550 (M5)	50	12	2000/2800	100	4.500	20HH 650 (M6)	50	12	2000/2800	100	4.437
20HH 555 (M5)	55	12	2200/3000	100	4.700	20HH 655 (M6)	55	12	2200/3000	100	4.700
20HH 560 (M5)	60	12	2400/3300	100	5.200	20HH 660 (M6)	60	12	2400/3300	100	5.200
20HH 820 (M8)	20	5	800/1100	300	6.500	20HH 845 (M8)	45	12	1800/2500	300	4.548
20HH 825 (M8)	25	7	1000/1400	200	6.000	20HH 850 (M8)	50	17	2000/2800	100	7.000
20HH 830 (M8)	30	9	1200/1600	200	6.500	20HH 860 (M8)	60	17	2400/3300	100	7.500
20HH 835 (M8)	35	12	1400/1900	200	7.800						



- Material : DMC (Dough Moulding Compound) UL File No. QEUJ2.E249670 (Halogen Free)
- Product : UL Certification File No. QEUJ2.E314972
- All Dimensions are in MM
- TL : Effective Thread Length
- All Insulators are certified

- Insert : Aluminium / Brass / Steel (Zinc Passivated) / Stainless Steel
- Mounting Detail on Page No. 80
- Insert Material detail on page no. 83
- For maximum torque please see page no. 83

- For technical details of Busbar support & Insulator, please refer POWERMAT TECHNICAL NOTES - 02/18.
- For checking the suitability of a support & insulator for a fault current, please ask for POWERMAT FAULT LEVEL CALCULATOR Software.

FULL HEX

Part No. (Insert)	Height (H) mm	TL (mm)	Nominal Voltage (AC / DC)	Std. Pkg. (Nos.)	Box Wt. (Kg.)	Part No. (Insert)	Height (H) mm	TL (mm)	Nominal Voltage (AC / DC)	Std. Pkg. (Nos.)	Box Wt. (Kg.)
-------------------	---------------	---------	---------------------------	------------------	---------------	-------------------	---------------	---------	---------------------------	------------------	---------------

Hex Face to Face (A/F 25mm)

25HH 625 (M6)	25	7	1000/1400	100	3.232	25HH 825 (M8)	25	7	1000/1400	100	4.000
25HH 630 (M6)	30	9	1200/1600	100	3.784	25HH 830 (M8)	30	9	1200/1600	100	4.137
25HH 635 (M6)	35	12	1400/1900	100	4.525	25HH 835 (M8)	35	12	1400/1900	100	4.880
25HH 640 (M6)	40	12	1600/2200	100	5.500	25HH 840 (M8)	40	12	1600/2200	100	5.392
25HH 645 (M6)	45	12	1800/2500	100	5.800	25HH 845 (M8)	45	12	1800/2500	100	6.300
25HH 650 (M6)	50	12	2000/2800	50	3.025	25HH 850 (M8)	50	17	2000/2800	50	3.475
25HH 655 (M6)	55	12	2200/3000	50	3.235	25HH 855 (M8)	55	17	2200/3000	50	3.709
25HH 660 (M6)	60	12	2400/3300	50	3.497	25HH 860 (M8)	60	17	2400/3300	50	3.928
25HH 680 (M6)	80	12	3200/4400	50	4.210	25HH 1030 (M10)	30	9	1200/1600	100	4.500
25HH 6100 (M6)	100	12	4000/5600	50	4.680						

Hex Face to Face (A/F 35mm)

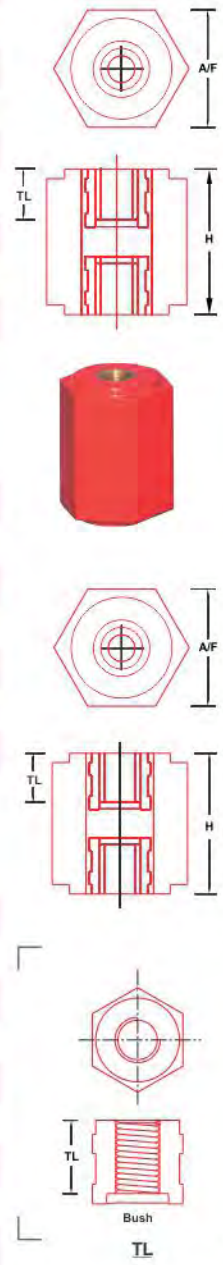
35HH 830 (M8)	30	9	1200/1600	50	3.486	35HH 1030 (M10)	30	9	1200/1600	50	3.743
35HH 835 (M8)	35	12	1400/1900	50	4.078	35HH 1035 (M10)	35	12	1400/1900	50	4.200
35HH 840 (M8)	40	12	1600/2200	50	4.524	35HH 1040 (M10)	40	12	1600/2200	50	4.705
35HH 845 (M8)	45	12	1800/2500	50	5.110	35HH 1045 (M10)	45	12	1800/2500	50	5.300
35HH 850 (M8)	50	17	2000/2800	50	5.778	35HH 1050 (M10)	50	17	2000/2800	50	5.998
35HH 855 (M8)	55	17	2200/3000	25	3.500	35HH 1055 (M10)	55	17	2200/3000	25	3.312
35HH 860 (M8)	60	17	2400/3300	25	3.800	35HH 1060 (M10)	60	17	2400/3300	25	3.510


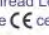
Hex Face to Face (A/F 45mm)

45HH 1035 (M10)	35	12	1400/1900	50	6.400	45HH 1235 (M12)	35	12	1400/1900	50	6.600
45HH 1040 (M10)	40	12	1600/2200	50	7.200	45HH 1240 (M12)	40	12	1600/2200	50	7.400
45HH 1045 (M10)	45	12	1800/2500	50	7.800	45HH 1245 (M12)	45	12	1800/2500	50	8.000
45HH 1050 (M10)	50	17	2000/2800	50	9.200	45HH 1250 (M12)	50	17	2000/2800	50	9.400
45HH 1055 (M10)	55	17	2200/3000	25	5.200	45HH 1255 (M12)	55	17	2200/3000	25	5.500
45HH 1060 (M10)	60	17	2400/3300	25	5.480	45HH 1260 (M12)	60	17	2400/3300	25	5.700
45HH 1070 (M10)	70	22	2800/3900	25	6.500	45HH 1270 (M12)	70	22	2800/3900	25	6.800
45HH 1080 (M10)	80	22	3200/4400	25	7.500	45HH 1280 (M12)	80	22	3200/4400	25	7.800
45HH 1090 (M10)	90	22	3600/5000	25	8.500	45HH 1290 (M12)	90	22	3600/5000	25	8.800
45HH 10100 (M10)	100	22	4000/5600	25	9.600	45HH 12100 (M12)	100	22	4000/5600	25	9.800

Hex Face to Face (A/F 55mm)

55HH 1050 (M10)	50	17	2000/2800	20	4.300	55HH 1060 (M10)	60	17	2400/3300	20	5.160
-----------------	----	----	-----------	----	-------	-----------------	----	----	-----------	----	-------



- Material : DMC (Dough Moulding Compound)  UL File No. QEUY2.E249670 (Halogen Free)
- Product : UL Certification File No. QEUY2.E314972
- All Dimensions are in MM
- TL : Effective Thread Length
- All Insulators are  certified
- Insert : Aluminium / Brass / Steel (Zinc Passivated) / Stainless Steel
- Mounting Detail on Page No. 80
- Insert Material detail on page no. 83
- For maximum torque please see page no. 83
- For technical details of Busbar support & Insulator, please refer POWERMAT TECHNICAL NOTES - 02/18.
- For checking the suitability of a support & insulator for a fault current, please ask for POWERMAT FAULT LEVEL CALCULATOR Software.

Standoff Insulator

Round Hex

Part No. (Insert)	Height (H) mm	TL (mm)	Nominal Voltage (AC / DC)	Std. Pkg. (Nos.)	Box Wt. (Kg.)	Part No. (Insert)	Height (H) mm	TL (mm)	Nominal Voltage (AC / DC)	Std. Pkg. (Nos.)	Box Wt. (Kg.)
-------------------	---------------	---------	---------------------------	------------------	---------------	-------------------	---------------	---------	---------------------------	------------------	---------------

Hex Face to Face (A/F 20mm)

20RH 520 (M5)	20	5	800/1100	300	6.500	20RH 530 (M5)	30	9	1200/1600	200	5.800
20RH 525 (M5)	25	7	1000/1400	300	5.600	20RH 540 (M5)	40	9	1600/2200	200	7.000
20RH 620 (M6)	20	5	800/1100	300	6.808	20RH 820 (M8)	20	5	800/1100	200	5.800
20RH 625 (M6)	25	7	1000/1400	200	5.673	20RH 825 (M8)	25	7	1000/1400	200	3.000
20RH 630 (M6)	30	7	1200/1600	200	5.800	20RH 830 (M8)	30	9	1200/1600	200	6.500
20RH 635 (M6)	35	12	1400/1900	200	6.680	20RH 835 (M8)	35	12	1400/1900	200	7.000
20RH 640 (M6)	40	12	1600/2200	200	7.000	20RH 840 (M8)	40	12	1600/2200	200	7.800
20RH 645 (M6)	45	12	1800/2500	100	4.200	20RH 845 (M8)	45	12	1800/2500	100	5.000
20RH 650 (M6)	50	12	2000/2800	100	4.800	20RH 850 (M8)	50	17	2000/2800	100	5.500

Hex Face to Face (A/F 30mm)

30RH 670 (M6)	70	12	2800/3900	50	5.200	30RH 855 (M8)	55	17	2000/2800	50	4.500
30RH 830 (M8)	30	9	1200/1600	100	5.700	30RH 860 (M8)	60	17	2400/3300	50	4.900
30RH 835 (M8)	35	12	1400/1900	100	6.000	30RH 865 (M8)	65	17	2600/3600	50	5.000
30RH 840 (M8)	40	12	1600/2200	100	7.000	30RH 870 (M8)	70	22	2800/3900	50	5.400
30RH 850 (M8)	50	17	2000/2800	50	4.200	30RH 1030 (M10)	30	9	1200/1600	100	6.000
30RH 1030 (M10)	30	9	1200/1600	100	6.000	30RH 1035 (M10)	35	12	1400/1900	100	6.400
30RH 1035 (M10)	35	12	1400/1900	100	6.400	30RH 1040 (M10)	40	12	1600/2200	100	7.500
30RH 1040 (M10)	40	12	1600/2200	100	7.500	30RH 1050 (M10)	50	17	2000/2800	50	4.750
30RH 1050 (M10)	50	17	2000/2800	50	4.200	30RH 1055 (M10)	55	17	2000/2800	50	4.850

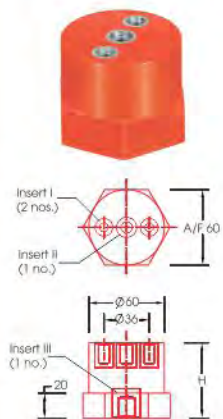
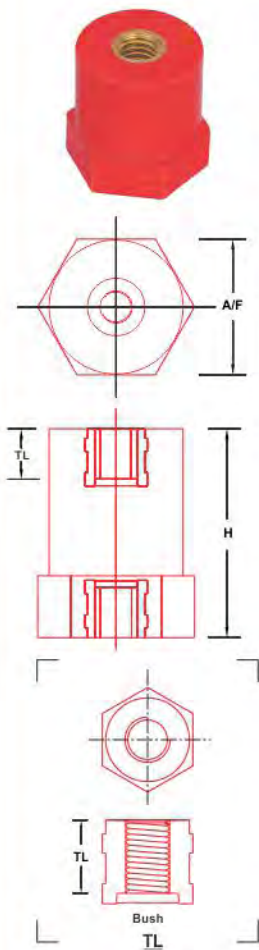
Hex Face to Face (A/F 40mm)

40RH 1030 (M10)	30	9	1200/1600	50	3.500	40RH 1240 (M12)	40	12	1600/2200	50	6.000
40RH 1035 (M10)	35	12	1400/1900	50	4.500	40RH 1245 (M12)	45	12	1800/2500	50	6.500
40RH 1040 (M10)	40	12	1600/2200	50	6.000	40RH 1250 (M12)	50	17	2000/2800	50	7.500
40RH 1045 (M10)	45	12	1800/2500	25	3.400	40RH 1255 (M12)	55	17	2200/3000	25	4.400
40RH 1050 (M10)	50	17	2000/2800	25	3.842	40RH 1260 (M12)	60	17	2400/3300	25	4.600
40RH 1055 (M10)	55	17	2200/3000	25	4.200	40RH 1265 (M12)	65	17	2600/3600	25	5.200
40RH 1060 (M10)	60	17	2400/3300	25	4.500	40RH 1270 (M12)	70	22	2800/3900	25	5.500
40RH 1065 (M10)	65	17	2600/3600	25	5.200						
40RH 1070 (M10)	70	22	2800/3900	25	5.500						

Hex Face to Face (A/F 60mm)

60RH 1040 (M10)	40	12	1600/2200	20	5.300	60RH 1240 (M12)	40	12	1600/2200	20	5.400
60RH 1050 (M10)	50	17	2000/2800	10	3.400	60RH 1250 (M12)	50	17	2000/2800	10	3.600
60RH 1060 (M10)	60	17	2400/3300	10	3.800	60RH 1260 (M12)	60	17	2400/3300	10	4.200
60RH 1070 (M10)	70	22	2800/3900	10	4.200	60RH 1270 (M12)	70	22	2800/3900	10	4.360
60RH 1650 (M16)	50	17	2000/2800	10	3.800	60RH 1280 (M12)	80	22	3200/4400	10	5.200
60RH 1660 (M16)	60	17	2400/3300	10	4.500						
60RH 1670 (M16)	70	22	2800/3900	10	5.000						
60RH 1680 (M16)	80	26	3200/4400	10	5.400						

POWERMAT code	H (mm)	Insert I (2 nos.)	Dimension Insert II (1 no.)	Insert III (1 no.)	TL mm	Nominal Voltage (AC / DC)	Std. Pkg. (Nos.)	Box Wt. (Kg.)
PD50RH35	35	M8 x 15	-	M8 x 15	12	1400/1900	20	4.800
PD60RH40	40	M8 x 15	M10 x 15	M12 x 15	12	1600/2200	20	5.400
PD60RH50	50	M8 x 20	M10 x 20	M12 x 20	17	2000/2800	10	3.500
PD60RH60	60	M8 x 20	M10 x 20	M12 x 20	17	2400/3300	10	3.800
PD60RH70	70	M8 x 20	M10 x 20	M12 x 25	22	2800/3900	10	4.300
PD60RH80	80	M8 x 20	M10 x 25	M12 x 25	22	3200/4400	10	5.500



- Material : DMC (Dough Moulding Compound) **UL** UL File No. QEU2.E249670 (Halogen Free)
- Product : UL Certification File No. QEU2.E314972
- All Dimensions are in MM
- TL : Effective Thread Length
- All Insulators are **CE** certified

- Insert : Aluminium / Brass / Steel (Zinc Passivated) / Stainless Steel
- Mounting Detail on Page No. 80
- Insert Material detail on page no. 83
- For maximum torque please see page no. 83

• For technical details of Busbar support & Insulator, please refer POWERMAT TECHNICAL NOTES - 02/18.
 • For checking the suitability of a support & insulator for a fault current, please ask for POWERMAT FAULT LEVEL CALCULATOR Software.

RH Series (Male - Male Combination)

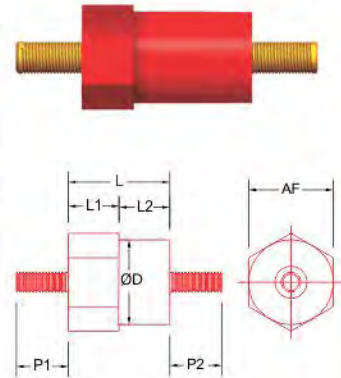
Part No.	AF mm	Ø D mm	L mm	L1 mm	L2 mm	P1 mm	P2 mm	Std. Pkg. (Nos.)	Box Wt. (Kg.)
----------	-------	--------	------	-------	-------	-------	-------	------------------	---------------

Hex Face to Face (A/F 14mm)

RH14.14-HM3.10RM3.10	14	14	14	6	8	M3X10	M3X10	200	1.650
RH14.14-HM4.10RM4.10	14	14	14	6	8	M4X10	M4X10	200	1.700
RH14.14-HM5.10RM5.10	14	14	14	6	8	M5X10	M5X10	200	2.200
RH14.14-HM6.10RM6.10	14	14	14	6	8	M6X10	M6X10	200	2.450
RH14.14-HM6.10RM6.15	14	14	14	6	8	M6X10	M6X15	200	2.600
RH14.26-HM5.10RM5.10	14	14	26	8	18	M5X10	M5X10	200	2.650

Hex Face to Face (A/F 21mm)

RH21.26-HM8.20RM8.08	21	20	26	8	18	M8X20	M8X08	200	4.750
RH21.35-HM8.10RM8.15	21	20	35	17	18	M8X10	M8X15	100	3.850



RH Series (Male - Female Combination)

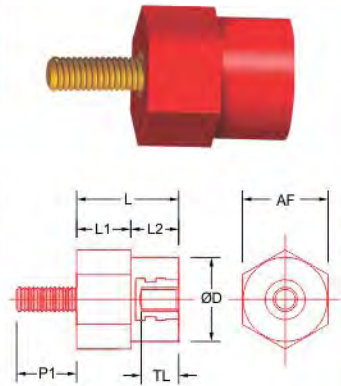
Part No.	AF mm	Ø D mm	L mm	L1 mm	L2 mm	P1 mm	TL mm	Std. Pkg. (Nos.)	Box Wt. (Kg.)
----------	-------	--------	------	-------	-------	-------	-------	------------------	---------------

Hex Face to Face (A/F 14mm)

RH14.17-HM4.10RF4.07	14	14	17	9	8	M4X10	M4X07	200	1.800
RH14.17-HM6.10RF6.07	14	14	17	9	8	M6X10	M6X07	200	1.850
RH14.17-HM5.10RF5.07	14	14	17	9	8	M5X10	M5X07	200	2.000

Hex Face to Face (A/F 21mm)

RH21.26-HF8.08RM8.10	21	20	26	8	18	M8X8	M8X10	100	3.100
RH21.26-HM8.10RF8.08	21	20	26	8	18	M8X10	M8X08	100	3.100

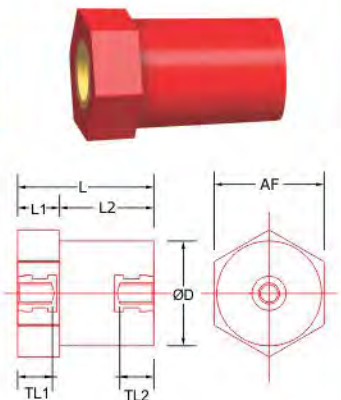



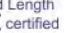
RH Series (Female - Female Combination)

Part No.	AF mm	Ø D mm	L mm	L1 mm	L2 mm	TL1 mm	TL2 mm	Std. Pkg. (Nos.)	Box Wt. (Kg.)
----------	-------	--------	------	-------	-------	--------	--------	------------------	---------------

Hex Face to Face (A/F 21mm)

RH21.26-HF6.07RF6.07	21	20	26	8	18	M6X7	M6X7	200	4.900
RH21.26-HF8.07RF8.07	21	20	26	8	18	M8X7	M8X7	200	4.700
RH21.35-HF8.07RF8.07	21	20	35	17	18	M8X7	M8X7	100	3.500
RH21.35-HF8.09RF8.09	21	20	35	17	18	M8X9	M8X9	100	3.750

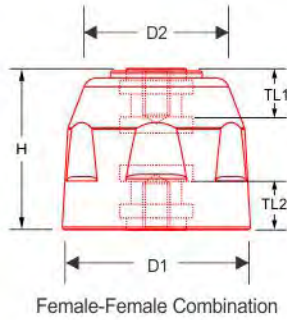


- Material : DMC (Dough Moulding Compound)  UL File No. QEUY2.E249670 (Halogen Free)
- All Dimensions are in MM
- TL : Effective Thread Length
- All Insulators are  certified
- Insert : Aluminium / Brass / Steel (Zinc Passivated) / Stainless Steel
- Mounting Detail on Page No. 80
- Insert Material detail on page no. 83
- For maximum torque please see page no. 83
- For technical details of Busbar support & Insulator, please refer POWERMAT TECHNICAL NOTES - 02/18.
- For checking the suitability of a support & insulator for a fault current, please ask for POWERMAT FAULT LEVEL CALCULATOR Software.

Standoff Insulators

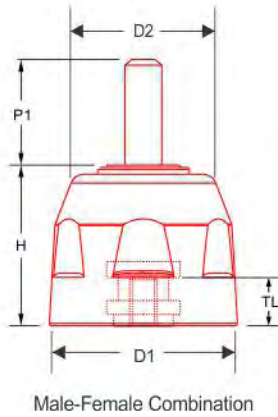


WT Series (Female - Female Combination)



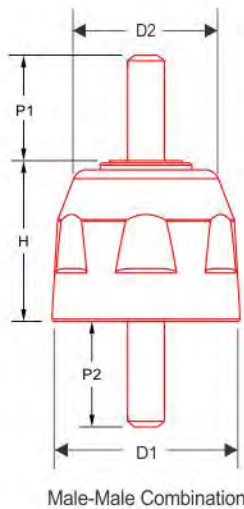
Product Code	H (mm)	TL1	TL2	Std. Pkg. (Nos.)	Box Wt. (Kg.)
WT0515 (M5)	15	M05 x 3.5	M05 x 3.5	400	2.654
WT0626 (M6)	26	M06 x 7.5	M06 x 7.0	200	2.500
WT0630 (M6)	30	M06 x 09	M06 x 09	---	---
WT0830 (M8)	30	M08 x 09	M08 x 09	---	---
WT0635 (M6)	35	M06 x 12	M06 x 12	100	4.525
WT0835 (M8)	35	M08 x 12	M08 x 12	100	4.750
WT1035 (M10)	35	M10 x 12	M10 x 12	100	4.850
WT0840 (M8)	40	M08 x 12	M08 x 12	---	---
WT1040 (M10)	40	M10 x 10	M10 x 12	---	---
WT1050 (M10)	50	M10 x 17	M10 x 17	50	9.200

WT Series (Male - Female Combination)



Product Code	H (mm)	P1	TL	Std. Pkg. (Nos.)	Box Wt. (Kg.)
WT0515-M0506.F0503	15	M05 x 06	M05 x 3.5	400	2.800
WT0626-M0610.F0607	26	M06 x 10	M06 x 7.0	200	2.950
WT0630-M0610.F0609	30	M06 x 10	M06 x 09	---	---
WT0830-M0810.F0809	30	M08 x 10	M08 x 09	---	---
WT0635-M0615.F0612	35	M06 x 15	M06 x 12	100	4.900
WT0835-M0815.F0812	35	M08 x 15	M08 x 12	100	5.250
WT1035-M1015.F1012	35	M10 x 15	M10 x 12	100	5.350
WT0840-M0815.F0812	40	M08 x 15	M08 x 12	---	---
WT1040-M1015.F1012	40	M10 x 15	M10 x 12	---	---
WT1050-M1020.F1017	50	M10 x 20	M10 x 17	50	10.350

WT Series (Male - Male Combination)



Product Code	H (mm)	P1	P2	Std. Pkg. (Nos.)	Box Wt. (Kg.)
WT0515-M0506.M0506	15	M05 x 06	M05 x 06	400	3.200
WT0626-M0610.M0610	26	M06 x 10	M06 x 10	200	3.400
WT0630-M0610.M0610	30	M06 x 10	M06 x 10	---	---
WT0830-M0810.M0810	30	M08 x 10	M08 x 10	---	---
WT0835-M0815.M0815	35	M08 x 15	M08 x 15	100	5.750
WT0635-M0615.M0615	35	M06 x 15	M06 x 15	100	6.000
WT0835-M0815.M0815	35	M08 x 15	M08 x 15	100	6.250
WT1035-M1015.M1015	35	M10 x 15	M10 x 15	100	7.250
WT0840-M0815.M0815	40	M08 x 15	M08 x 15	---	---
WT1040-M1015.M1015	40	M10 x 15	M10 x 15	---	---
WT1050-M1020.M1020	50	M10 x 20	M10 x 20	50	11.500

* F-F Stands for Female - Female Combination • M-F Stands for Male - Female Combination • M-M Stands for Male - Male Combination

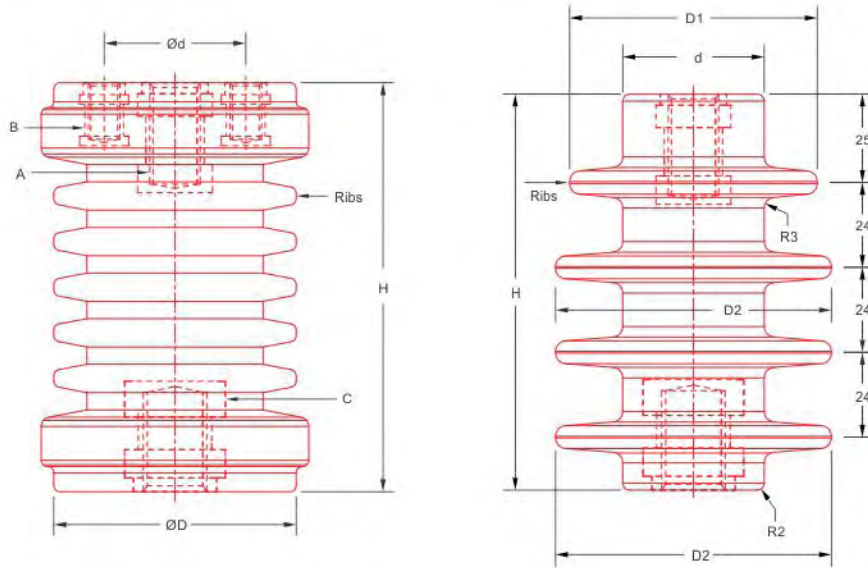
- Material : DMC (Dough Moulding Compound)  UL File No. QEU2.E249670 (Halogen Free)
- All Dimensions are in MM
- TL : Effective Thread Length
- All Insulators are CE certified

- Insert : Aluminium / Brass / Steel (Zinc Passivated) / Stainless Steel
- Mounting Detail on Page No. 80
- Insert Material detail on page no. 83
- For maximum torque please see page no. 83



- For technical details of Busbar support & Insulator, please refer POWERMAT TECHNICAL NOTES - 02/18.
- For checking the suitability of a support & insulator for a fault current, please ask for POWERMAT FAULT LEVEL CALCULATOR Software.

POWERMAT.....

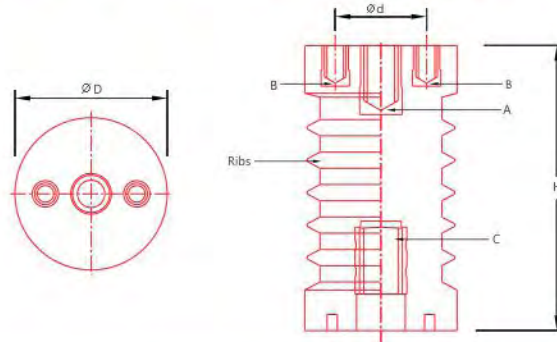
MV INSULATORS (EPOXY)



PRODUCT CODE	HEIGHT mm	VOLTAGE RATING	RIBS (Nos.)	*CREEPAGE mm	Ø D mm	Ø d mm	INSERTS			Std. Pkg. (Nos.)	Box Wt. (Kg.)
							A	B	C		
EMV - 6090	90	8.5 Kv	3	140	60	36	M-10 X 20 Lg	M-06 X 15 Lg	M-12 X 25 Lg	10	4.443
EMV - 70112	112	12 Kv	4	230	40	-	M-10 X 35 Lg	-	M-10 X 35 Lg	4	-
EMV - 63130_7R	130	12 Kv	7	269	63	36	M-10 X 20 Lg	M-06 X 15 Lg	M-16 X 30 Lg	5	3.000
EMV - 63130	130	12 Kv	5	215	63	36	M-12 X 25 Lg	M-06 X 15 Lg	M-16 X 35 Lg	5	3.500
EMV - 72130	130	12 Kv	7	260	72	-	M-12 X 30 Lg	M-06 X 15 Lg	M-10 X 30 Lg	-	-
EMV - 77130	130	12 Kv	5	240	77	45	M-16 X 35 Lg	M-10 X 20 Lg	M-20 X 35 Lg	5	5.000
EMV - 73210	210	22 Kv	9	400	73	36	M-10 X 25 Lg	M-06 X 15 Lg	M-16 X 55 Lg	4	5.000
EMV - 97224	224	22 Kv	10	721	40	-	M-12 X 50 Lg	-	M-12 X 50 Lg	-	-
EMV - 83300	300	35 Kv	12	620	83	36	M-10 X 25 Lg	M-06 X 15 Lg	M-16 X 75 Lg	2	5.215
EMV - 98300	300	35 Kv	12	735	98	46	M-10 X 20 Lg	M-16 X 35 Lg	M-22 X 65 Lg	2	6.000

- Material : Cast Resin / DMC (Dough Moulding Compound)  UL File No. QEU2.E249670 (Halogen Free)
- ++ same insert configuration on both sides
- All Dimensions are in MM
- Insert : Brass / Mild Steel (Zinc Passivated) / SS / AL.
- Insert Material detail on page no. 83
- All Insulators are  certified
- For technical details of Busbar support & Insulator, please refer POWERMAT TECHNICAL NOTES - 02/18.
- For checking the suitability of a support & insulator for a fault current, please ask for POWERMAT FAULT LEVEL CALCULATOR Software.

M.V. Insulators



PRODUCT CODE	HEIGHT mm	VOLTAGE RATING	RIBS (Nos.)	*CREEPAGE mm	$\varnothing D$ mm	$\varnothing d$ mm	A	INSERTS B	C	Std. Pkg. (Nos.)	Box Wt. (Kg.)
MV 5035	35	1.6 Kv	4	48	50	25	-	M-08 X 15 Lg	C = B	25	3.200
MV 7535	35	1.6 Kv	4	67	75	30	-	M-10 X 15 Lg	C = B	10	3.000
MV 6040	40	3.5 Kv	1	55	60	36	M-10 X 15 Lg	M-08 X 12 Lg	M-10 X 15 Lg	20	4.800
MV 4050	50	3.5 Kv	1	55	40	-	M-10 X 15 Lg	-	M-10 X 15 Lg	25	2.900
MV 5050	50	3.5 Kv	4	65	50	25	-	M-08 X 20 Lg	C = B	25	4.500
MV 7550	50	3.5 Kv	4	82	75	30	-	M-10 X 20 Lg	C = B	10	4.300
MV 5560	60	5.5 Kv	1	78	55	28	-	M-08 X 15 Lg	C = B	10	2.600
MV 606560	60	5.5 Kv	2	90	60/65	36	M-12 X 20 Lg	M-08 X 20 Lg	M-12 X 20 Lg	10	3.800
MV 859060	60	5.5 Kv	2	90	85/90	60	M-16 X 20 Lg	M-10 X 20 Lg	M-16 X 20 Lg	10	7.000
MV 6075	75	6.8 Kv	2	112	60	36	M-10 X 20 Lg	M-06 X 15 Lg	M-12 X 25 Lg	10	3.944
PDMV 6075	75	6.8 Kv	2	112	60	36	M-10 X 20 Lg	M-08 X 15 Lg	M-12 X 25 Lg	10	4.000
MV 9580	80	6.8 Kv	1	92	90	55	-	M-10 X 20 Lg	M-16 X 30 Lg	4	4.600
MV 7590	90	8.5 Kv	3	132	75	40	M-10 X 20 Lg	2 X M8/M10 X 15	C = A, B	5	3.700
MV 6090	90	8.5 Kv	3	140	60	36	M-10 X 20 Lg	M-06 X 15 Lg	M-12 X 25 Lg	10	4.443
PDMV 6090	90	8.5 Kv	3	140	60	36	M-10 X 20 Lg	M-08 X 15 Lg	M-12 X 25 Lg	10	4.500
MV 9011082	110	12 Kv	4	209	82/90	40	-	M-10 X 15 Lg	M-12 X 20 Lg	5	5.500
MV 60130	130	12 Kv	5	200	60	36	M-12 X 25 Lg	M-06 X 15 Lg	M-16 X 35 Lg	5	3.035
PDMV 60130	130	12 Kv	5	200	60	36	M-12 X 25 Lg	M-08 X 15 Lg	M-16 X 35 Lg	5	3.200
MV 75130	130	12 Kv	5	215	75	45	M-16 X 35 Lg	M-10 X 20 Lg	M-20 X 35 Lg	5	4.642
MV 75130/2*	130	12 Kv	5	215	75	45	M-12 X 25 Lg	M-08 X 20 Lg	A-B	5	4.700
MV 75130/7	130	12 Kv	7	256	75	45	M-16 X 35 Lg	M-10 X 20 Lg	M-20 X 40 Lg	5	4.700
MV 90130	130	12 Kv	7	372	90	36	-	M-16 X 35 Lg	M-20 X 40 Lg	2	5.000
MV 8614580	145	16 Kv	7	260	80/86	40	-	M-10 X 15 Lg	M-12 X 20 Lg	4	5.800
MV 90150	150	16 Kv	7	392	90	36	-	M-16 X 35 Lg	M-20 X 40 Lg	2	5.500
MV 70210	210	22 Kv	9	285	70	36	M-10 X 25 Lg	M-06 X 15 Lg	M-16 X 55 Lg	4	5.375
PDMV 70210	210	22 Kv	9	285	70	36	M-10 X 25 Lg	M-08 X 15 Lg	M-16 X 55 Lg	4	5.500
MV 70210/2	210	22 Kv	9	285	70	36	M-12 X 25 Lg	M-08 X 20 Lg	A-B	4	5.500
MV 80300	300	33 Kv	12	450	80	36	M-10 X 25 Lg	M-06 X 15 Lg	M-16 X 75 Lg	2	4.717
PDMV 80300	300	33 Kv	12	450	80	36	M-10 X 25 Lg	M-08 X 15 Lg	M-16 X 75 Lg	2	4.800
MV 95300	300	33 Kv	12	630	95	46	M-16 X 55 Lg	M-10 X 20 Lg	M-22 X 65 Lg	2	5.800

*Creepage Length : $\pm 10\%$ Tolerance


• Material : Cast Resin / DMC (Dough Moulding Compound)  UL File No. QEU2.E249670 (Halogen Free)

• ++ same insert configuration on both sides

• All Dimensions are in MM

• Insert : Brass / Mild Steel (Zinc Passivated)

• Insert Material detail on page no. 83

• All Insulators are  certified

• For technical details of Busbar support & Insulator, please refer POWERMAT TECHNICAL NOTES - 02/18.

• For checking the suitability of a support & insulator for a fault current, please ask for POWERMAT FAULT LEVEL CALCULATOR Software.

POWERMAT.....

Insulator for Vertical Bars

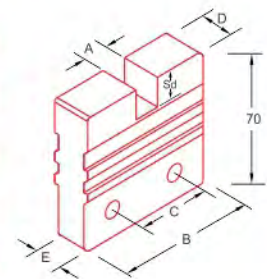


Finger-Supports

Busbar	POWERMAT code	Dimension							Std. Pkg. (Nos.)	Box Wt. (Kg.)
		A max	B	C	D	E	F max	Sd		

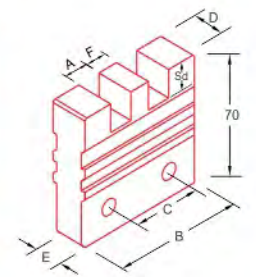
Single Way

6mm x 1R	106S	7	50	22	14	10	-	15	50	3.182
10mm x 1R	110S	11	50	22	14	10	-	15	50	3.103
12mm x 1R	112S	13.7	50	22	14	10	-	15	50	3.098
6mm x 1R	106W	7	60	32	14	10	-	15	50	3.980
10mm x 1R	110W	11	60	32	14	10	-	15	50	3.913
12mm x 1R	112W	13.7	60	32	14	10	-	15	50	3.902
6mm x 1R	106K	7	70	40	20	16	-	15	50	7.000
10mm x 1R	110K	11	70	40	20	16	-	15	50	6.860
12mm x 1R	112K	13.7	70	40	20	16	-	15	50	6.960
6mm x 1R	106T	7	70	40	25	20	-	15	40	7.800
10mm x 1R	110T	11	70	40	25	20	-	15	40	7.700
12mm x 1R	112T	13.7	70	40	25	20	-	15	40	7.600
12mm x 1R	112H	13.7	70	40	30	25	-	15	40	8.200



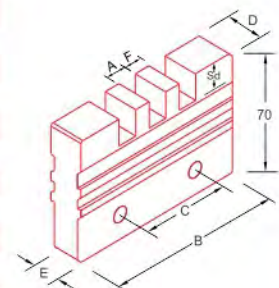
Two Way

6mm x 2R	206W	7.1	60	32	14	10	5.6	15	50	3.700
10mm x 2R	210W	11	60	32	14	10	9.6	15	50	3.685
12mm x 2R	212W	13.7	70	32	14	10	11	15	50	4.328
6mm x 2R	206K	7.1	70	40	20	16	5.6	15	50	6.800
	119K	19.8	70	40	20	16	-	15	50	6.600
10mm x 2R	210K	11	70	40	20	16	9	15	50	6.540
	131K	31.2	70	40	20	16	-	15	50	6.400
12mm x 2R	212K	13.7	70	40	20	16	11	15	50	6.420
6mm x 2R	206T	7.1	70	40	25	20	5.6	15	40	7.600
	119T	19.8	70	40	25	20	-	15	40	7.500
10mm x 2R	210T	10.8	70	40	25	20	9.6	15	40	7.500
	131T	31.2	70	40	25	20	-	15	40	7.200
12mm x 2R	212T	13.7	70	40	25	20	11	15	40	7.400



Three Way

6mm x 3R	306W	7	70	32	14	10	5.4	15	50	4.397
10mm x 3R	310W	11	80	50	14	10	8.6	15	50	6.200
12mm x 3R	312W	13.2	90	50	15	11	11	15	50	6.060
6mm x 3R	306K	7	70	40	20	16	5.4	15	50	6.600
10mm x 3R	310K	11	100	50	20	16	9.4	15	20	3.868
	151K	51.6	100	50	20	16	-	15	20	3.800
12mm x 3R	312K	13.2	100	50	20	16	10.5	15	20	3.831
6mm x 3R	306T	7	70	40	25	20	5.4	15	40	7.600
10mm x 3R	310T	11	100	50	25	20	9.4	15	18	7.800
	151T	51.6	100	50	25	20	-	15	18	4.700
12mm x 3R	312T	13.2	100	50	25	20	11.4	15	18	4.600



- Material : SMC (Sheet Moulding Compound) / DMC (Dough Moulding Compound)  UL File No. QEU2.E249670 (Halogen Free)
- All Dimensions are in MM
- Mounting Hole \varnothing 8.5 mm
- All Insulators are  certified
- Sd - Depth of Slot
- Mounting Detail on Page No. 80

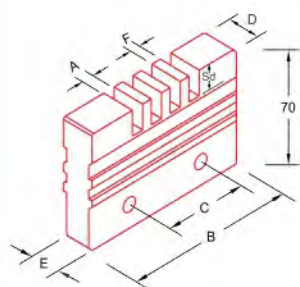
- For technical details of Busbar support & Insulator, please refer POWERMAT TECHNICAL NOTES - 02/18.
- For checking the suitability of a support & insulator for a fault current, please ask for POWERMAT FAULT LEVEL CALCULATOR Software.

Insulator for Vertical Bars



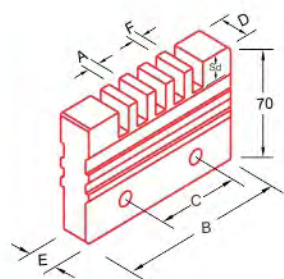
Finger-Supports

Busbar	POWERMAT code	Dimension							Std. Pkg. (Nos.)	Box Wt. (Kg.)
		A max	B	C	D	E	F max	Sd		



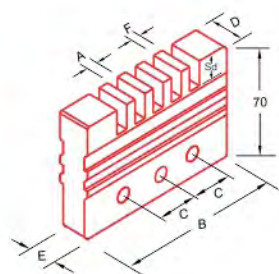
Four Way

6mm x 4R	406W	7.2	80	50	14	10	5.6	15	50	5.460
6mm x 4R	406K	7.2	100	50	20	16	5.6	15	20	3.904
10mm x 4R	410K	11.2	130	80	20	16	9.6	15	20	5.100
	172K	7.2	130	80	20	16	-	15	20	4.800
12mm x 4R	412K	13.4	130	80	20	16	11.6	15	20	4.948
10mm x 4R	410T	11.2	130	80	25	20	9.6	15	20	4.800
	172T	7.2	130	80	25	20	-	15	20	4.800
12mm x 4R	412T	13.4	130	80	25	20	11.6	15	20	4.800



Five Way

6mm x 5R	506K	7.4	100	50	20	16	5.4	15	20	4.200
10mm x 5R	510K	11.4	160	55/55	20	16	9.4	15	20	5.100
12mm x 5R	512K	13.7	160	55/55	20	16	11.4	15	20	5.000
6mm x 5R	506T	7.4	100	50	25	20	5.4	15	18	4.200
10mm x 5R	510T	11.4	160	55/55	25	20	9.4	15	18	5.800
12mm x 5R	512T	13.7	160	55/55	25	20	11.4	15	18	5.800




Six Way

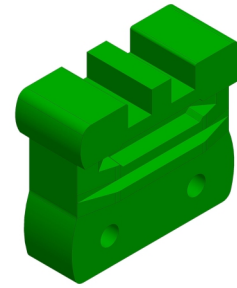
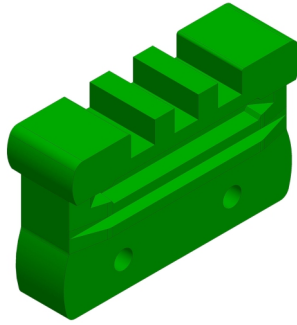
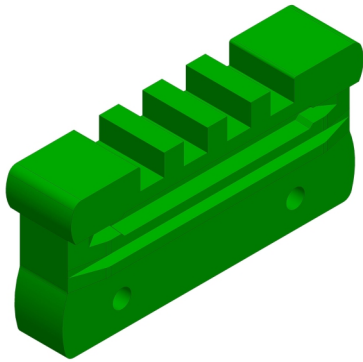
6mm x 6R	606K	7.6	100	50	20	16	5.6	15	20	3.735
10mm x 6R	610K	11.6	160	55/55	20	16	9.6	15	20	5.100
12mm x 6R	612K	13.9	160	55/55	20	16	11.6	15	20	5.000
6mm x 6R	606T	7.6	100	50	25	20	5.6	15	18	4.000
10mm x 6R	610T	11.6	160	55/55	25	20	9.6	15	18	5.600
12mm x 6R	612T	13.9	160	55/55	25	20	11.6	15	18	5.600

Eight Way

6mm x 8R	806K	8	130	80	25	20	5.6	15	20	4.800
----------	------	---	-----	----	----	----	-----	----	----	-------

- Material : SMC (Sheet Moulding Compound) / DMC (Dough Moulding Compound)  UL File No. QEUY2.E249670 (Halogen Free)
- All Dimensions are in MM
- Mounting Hole \varnothing 8.5 mm
- All Insulators are CE certified

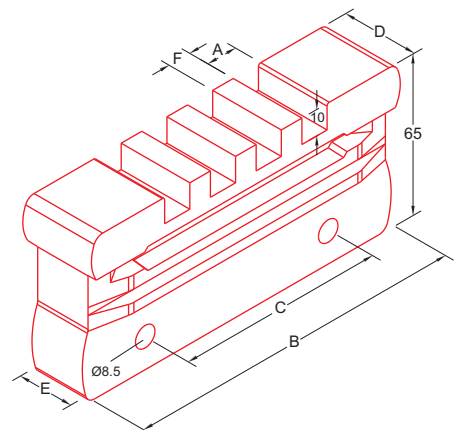
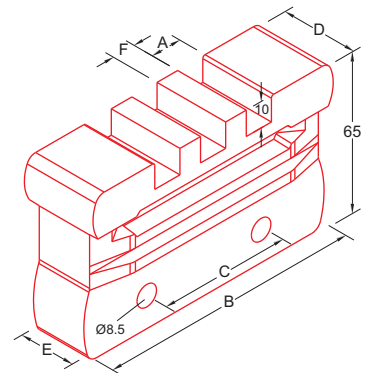
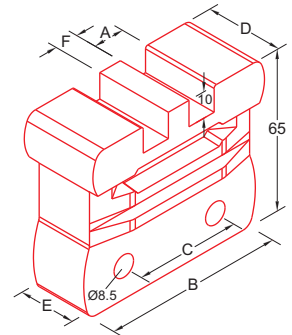
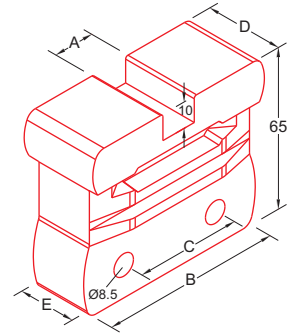
- For technical details of Busbar support & Insulator, please refer POWERMAT TECHNICAL NOTES - 02/18.
- For checking the suitability of a support & insulator for a fault current, please ask for POWERMAT FAULT LEVEL CALCULATOR Software.



Next Generation Finger Type Supports

NG Series

Powermat Code	Busbar	A mm	F mm	B mm	C mm	D mm	E mm	Std. Pkg. (Nos.)	Box Wt. (Kg.)
NG 106	6mm x 1 run	7	-	70	40	30	22	40	8.500
NG 110	10mm x 1 run	11	-	70	40	30	22	40	8.500
NG 112	12mm x 1 run	13.7	-	70	40	30	22	40	8.500
NG 206	6mm x 2 run	7.1	5.6	70	40	30	22	40	8.500
NG 210	10mm x 2 run	11	9.6	70	40	30	22	40	8.500
NG 212	12mm x 2 run	13.7	11	70	40	30	22	40	8.500
NG 306	6mm x 3 run	7	5.4	70	40	30	22	40	8.500
NG 310	10mm x 3 run	11	9.4	100	50	30	22	20	4.500
NG 312	12mm x 3 run	13.2	10.5	100	50	30	22	20	4.500
NG 406	6mm x 4 run	7.2	5.6	100	50	30	22	20	4.500
NG 410	10mm x 4 run	11.2	9.6	130	80	30	22	20	5.500
NG 412	12mm x 4 run	13.4	11.6	130	80	30	22	20	5.500
NG 506	6mm x 5 run	7.4	5.4	100	50	30	22	20	4.500

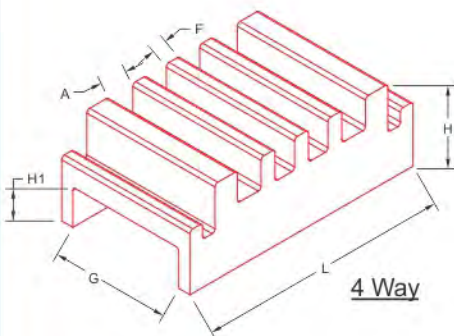
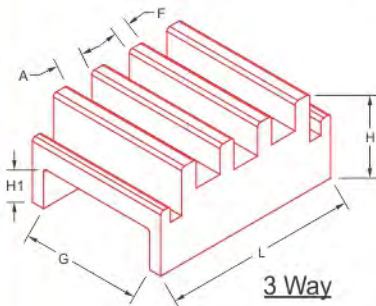
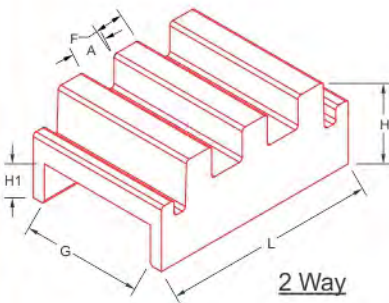
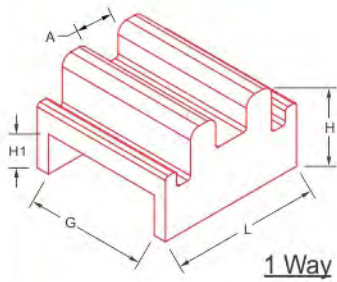


- * Suitable for Solar Panel Application , 800 Volt AC systems
- * Material: Sheet Moulding Compound
- * Flammability: UL 94 V-0
- * Glow Wire: 960° C
- * Creepage Distance - > 45.0 mm
- * Equipment Voltage Ue: 1000 V AC, 1500 V DC
- * Insulation Voltage Ui: 1000 V AC, 1500 V DC
- * Impulse Voltage Uimp: 12 kV
- * Strong Support for higher current fault rating
- * Support can hold one, two, three & four conductors

- Material : SMC (Sheet Moulding Compound) UL File No. QEUY2.E249670 (Halogen Free)
- All Dimensions are in MM
- Mounting Detail on Page No. 81
- All Insulators are certified

- For technical details of Busbar support & Insulator, please refer POWERMAT TECHNICAL NOTES - 02/18.
- For checking the suitability of a support & insulator for a fault current, please ask for POWERMAT FAULT LEVEL CALCULATOR Software.

Insulator for Vertical Bars



GP Series

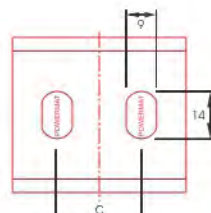
Part No.	Busbar	Amax mm	C mm	F mm	G mm	H mm	L mm	H1 mm	Std. Pkg. (Nos.)	Box Wt. (Kg.)
GP - 106	6mm x 1R	7	20	-	38	30	47	12.5	50	2.500
GP - 110	10mm x 1R	11	20	-	38	30	47	12.5	50	2.404
GP - 206	6mm x 2R	7	25	5.5	38	30	52	12.5	50	2.665
GP - 210	10mm x 2R	11	30	9	38	30	67	12.5	50	3.668
GP - 306	6mm x 3R	8.5	30	5	38	30	61	12.5	50	3.500
GP - 406	6mm x 4R	8.5	50	5	38	30	80	12.5	50	4.093

GPS Series

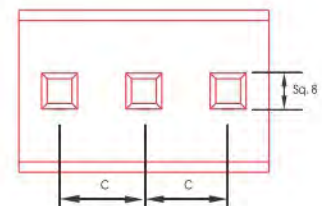
Part No.	Busbar	Amax mm	C mm	F mm	G mm	H mm	L mm	H1 mm	Std. Pkg. (Nos.)	Box Wt. (Kg.)
GPS - 210	10mm x 2R	11	19	9	31	26.5	56	12.5	50	2.200
GPS - 212	12mm x 2R	12	19	8	31	30	56	12.5	50	2.460
GPS - 405	5mm x 4R	5.1	19	4.7	31	26.5	56	12.5	50	2.265
GPS - 406	6mm x 4R	7	19	5	31	30	67	12.5	50	2.800

GPB Series


Part No.	Busbar	Amax mm	C mm	F mm	G mm	H mm	L mm	H1 mm	Std. Pkg. (Nos.)	Box Wt. (Kg.)
GPB - 2498*	6mm x 2R	6	-	6	26	31	55	8	50	3.000
GPB - 2499*	10mm x 2R	10.3	-	9.9	26	31	64	8	50	3.590



Bottom Side
GP Series



Bottom Side
GPS Series

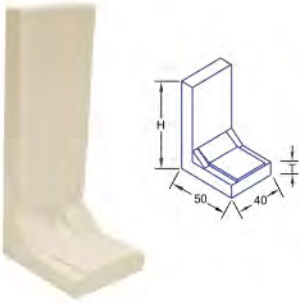
• Material : SMC (Sheet Moulding Compound) / DMC (Dough Moulding Compound)  UL File No. QEUY2.E249670 (Halogen Free)

• All Dimensions are in MM
• Mounting Detail on Page No. 81
• All Insulators are CE certified

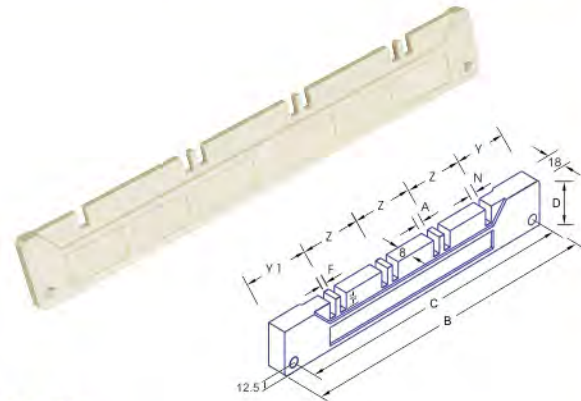
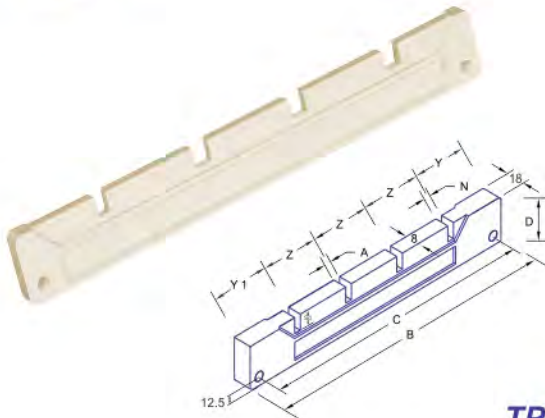
• For technical details of Busbar support & Insulator, please refer POWERMAT TECHNICAL NOTES - 02/18.

• For checking the suitability of a support & insulator for a fault current, please ask for POWERMAT FAULT LEVEL CALCULATOR Software.

L - Supports



Height (H) mm	POWERMAT code	Thickness (T) mm	Std. Pkg. (Nos.)	Box Wt. (Kg.)
60	L 60	10	50	4.102
85	L 85	10	50	4.642
100	L 100	10	50	5.200
125	L 125	10	50	6.060
150	L 150	12	20	4.000

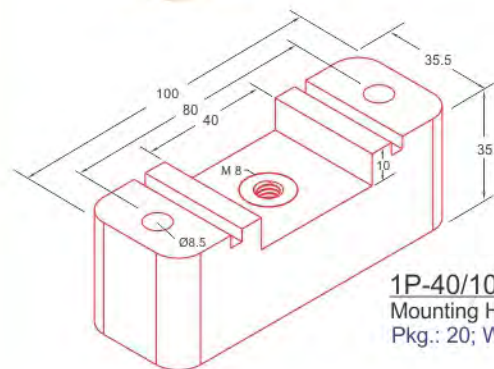


TPN - Supports

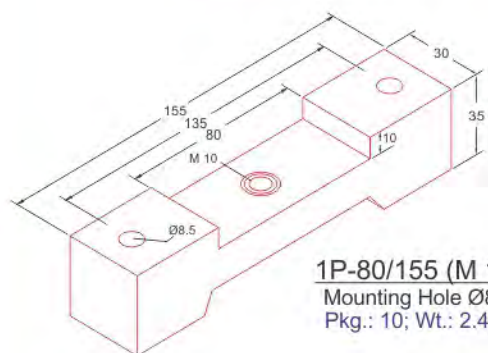
Busbar	POWERMAT code	Dimension										Std. Pkg. (Nos.)	Box Wt. (Kg.)
		A	B	C	D	N	Z	Y1	Y	F	Sd		
6mm x 1run/ph. & 6mm x 1 run/N	TPN 107/30	7	300	280	50	7	65	52.5	52.5	-	15	10	2.790
10mm x 1run/ph. & 6mm x 1 run/N	TPN 111/30	11	300	280	50	7	65	52.5	52.5	-	15	10	2.800
12mm x 1run/ph. & 6mm x 1 run/N	TPN 114/30	13.7	300	280	50	7	65	52.5	52.5	-	15	10	2.760
6mm x 1run/ph. & 6mm x 1 run/N	TPN 107/35	7	350	328	50	7	75	62.5	62.5	-	15	10	3.304
10mm x 1run/ph. & 6mm x 1 run/N	TPN 111/35	11	350	328	50	7	75	62.5	62.5	-	15	10	3.245
12mm x 1run/ph. & 6mm x 1 run/N	TPN 114/35	13.7	350	328	50	7	75	62.5	62.5	-	15	10	3.200
6mm x 1run/ph. & 6mm x 1 run/N	TPN 107/42	7	420	396	60	7	100	68	52	-	15	10	4.650
10mm x 1run/ph. & 6mm x 1 run/N	TPN 111/42	11	420	396	60	7	100	68	52	-	15	10	4.704
12mm x 1run/ph. & 6mm x 1 run/N	TPN 114/42	13.7	420	396	60	7	100	68	52	-	15	10	4.794
6mm x 1run/ph. & 6mm x 1 run/N	TPN 107/55	7	550	525	60	7	125	100	75	-	15	10	6.220
10mm x 1run/ph. & 6mm x 1 run/N	TPN 111/55	11	550	525	60	7	125	100	75	-	15	10	5.900
12mm x 1run/ph. & 6mm x 1 run/N	TPN 114/55	13.7	550	525	60	7	125	100	75	-	15	10	5.800
6mm x 2runs/ph. & 6mm x 1 run/N	TPN 207/35	7	350	328	50	7	70	78	62	5.8	15	10	3.400
10mm x 2runs/ph. & 10mm x 1 run/N	TPN 211/35	11	350	328	50	11	70	78	62	9	15	10	3.226
12mm x 2runs/ph. & 12mm x 1 run/N	TPN 214/35	13.7	350	328	50	13.7	70	78	62	11	15	10	3.100
6mm x 2runs/ph. & 6mm x 1 run/N	TPN 207/42	7	420	396	60	7	100	68	52	5.8	15	10	4.700
10mm x 2runs/ph. & 10mm x 1 run/N	TPN 211/42	11	420	396	60	11	100	68	52	9	15	10	4.600
12mm x 2runs/ph. & 12mm x 1 run/N	TPN 214/42	13.7	420	396	60	13.7	100	68	52	11	15	10	4.560
6mm x 2runs/ph. & 6mm x 1 run/N	TPN 207/55	7	550	525	60	7	125	100	75	5.8	15	10	6.800
10mm x 2runs/ph. & 10mm x 1 run/N	TPN 211/55	11	550	525	60	11	125	100	75	9	15	10	6.700
12mm x 2runs/ph. & 12mm x 1 run/N	TPN 214/55	13.7	550	525	60	13.7	125	100	75	11	15	10	6.600
6mm x 3 runs/ph.	TP 306/35	6	350	328	50	-	100	75	75	4.5	15	10	3.500
10mm x 2 runs/ph.	TP 211/35	11	350	328	50	-	100	75	75	9	15	10	3.500

- Material : SMC (Sheet Moulding Compound) / DMC (Dough Moulding Compound) UL File No. QEU2.E249670 (Halogen Free)
- All Dimensions are in MM
- All Insulators are certified
- For technical details of Busbar support & Insulator, please refer POWERMAT TECHNICAL NOTES - 02/18.
- For checking the suitability of a support & insulator for a fault current, please ask for POWERMAT FAULT LEVEL CALCULATOR Software.

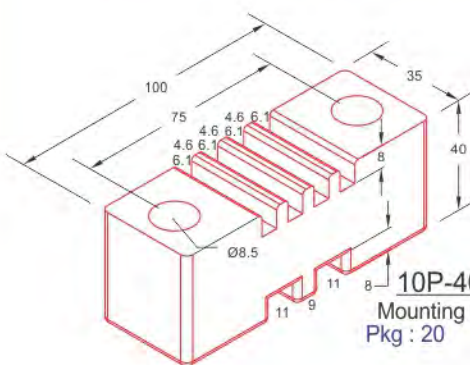
Insulator for Vertical / Horizontal Bars



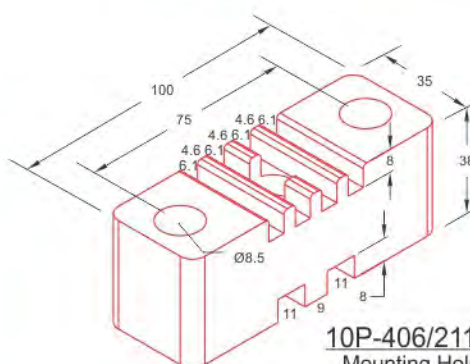
1P-40/100 (M 8)
Mounting Hole Ø8.5
Pkg.: 20; Wt.: 3.500



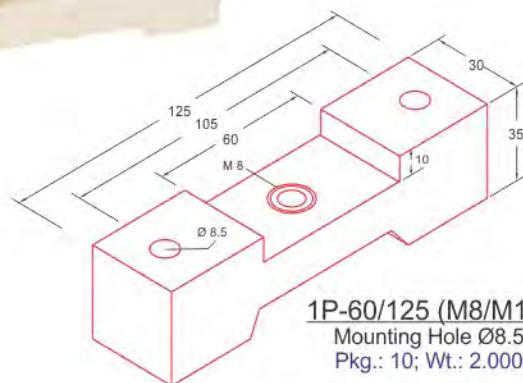
1P-80/155 (M 10)
Mounting Hole Ø8.5
Pkg.: 10; Wt.: 2.400



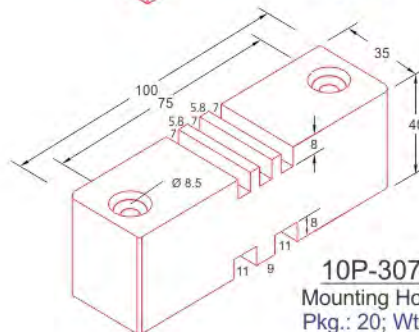
10P-406/211
Mounting Hole Ø8.5
Pkg : 20 Wt : 4.200



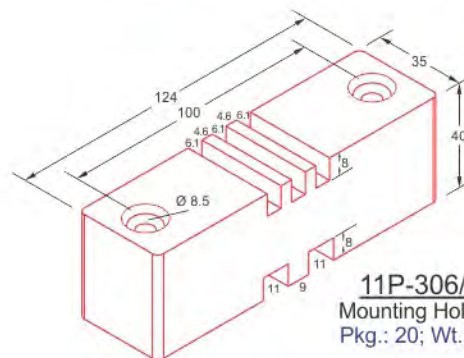
10P-406/211-H108
Mounting Hole Ø8.5
Pkg : 20 Wt : 4.200



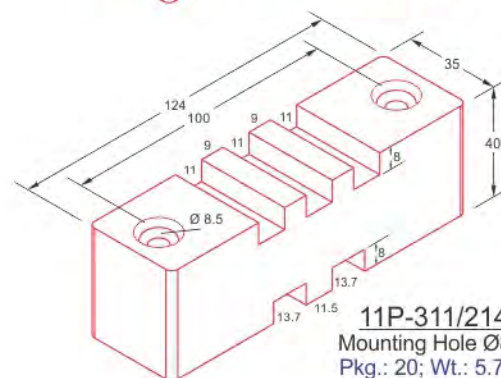
1P-60/125 (M8/M10)
Mounting Hole Ø8.5
Pkg.: 10; Wt.: 2.000



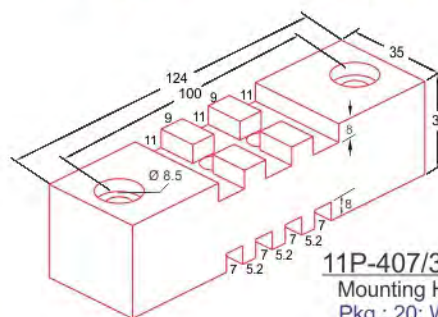
10P-307/211
Mounting Hole Ø8.5
Pkg.: 20; Wt.: 4.200



11P-306/211
Mounting Hole Ø8.5
Pkg.: 20; Wt.: 5.700



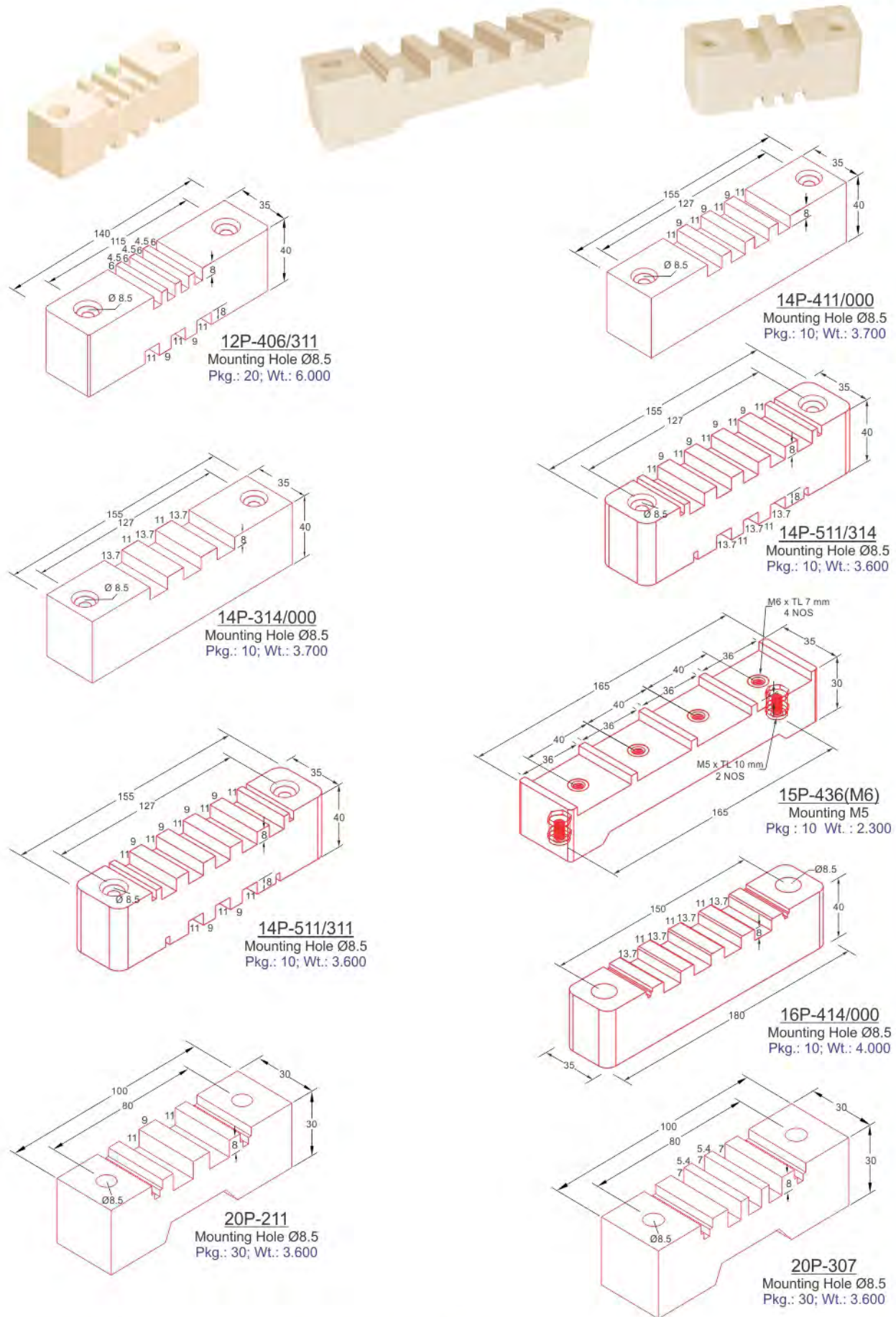
11P-311/214
Mounting Hole Ø8.5
Pkg.: 20; Wt.: 5.700



11P-407/311-H208
Mounting Hole Ø8.5
Pkg.: 20; Wt.: 5.700

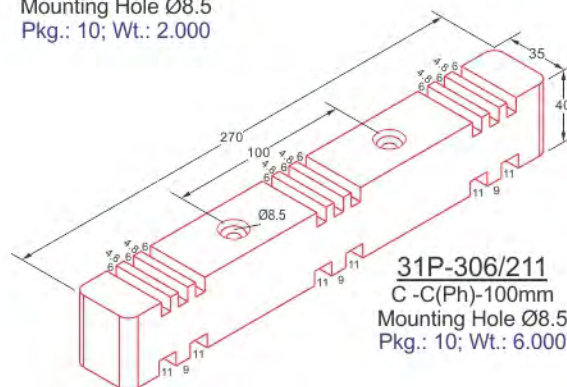
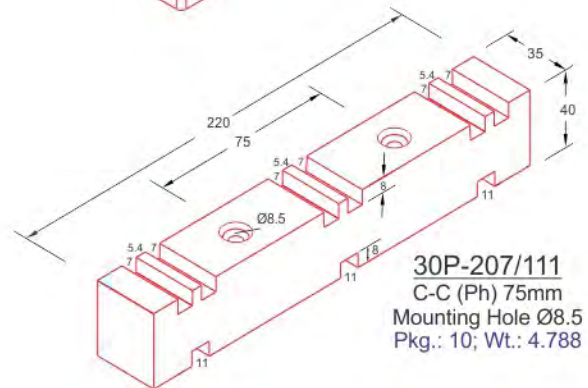
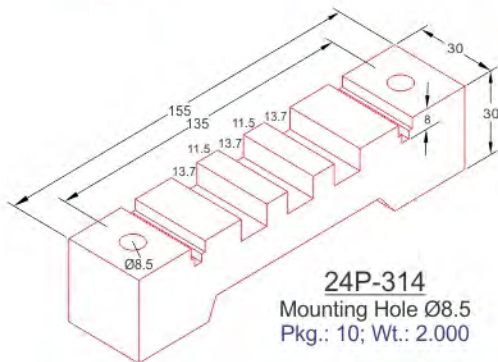
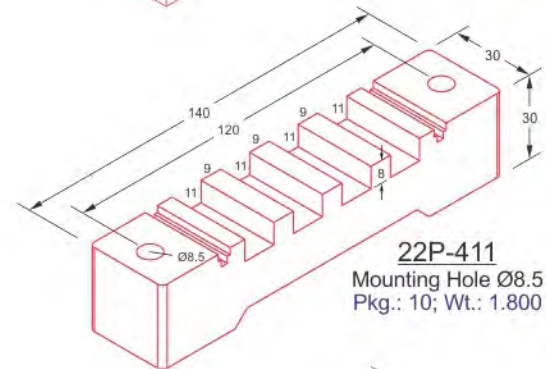
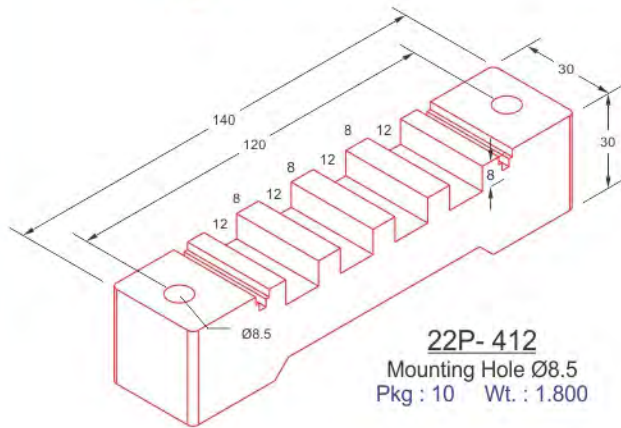
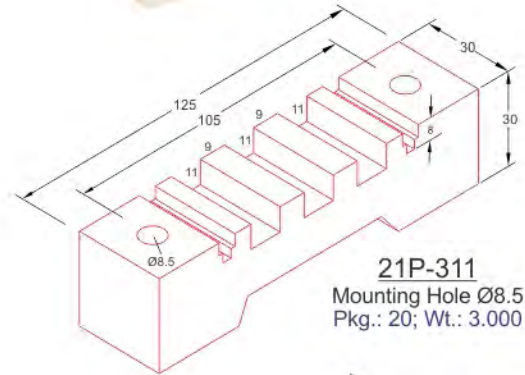
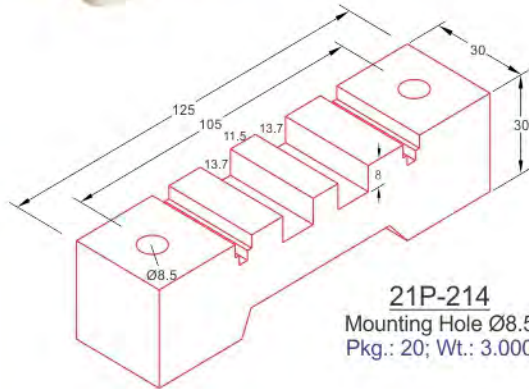
- Material : SMC (Sheet Moulding Compound) / DMC (Dough Moulding Compound) UL File No. QEUY2.E249670 (Halogen Free)
- All Dimensions are in MM
- All Insulators are certified
- For technical details of Busbar support & Insulator, please refer POWERMAT TECHNICAL NOTES - 02/18.
- For checking the suitability of a support & insulator for a fault current, please ask for POWERMAT FAULT LEVEL CALCULATOR Software.


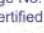
Insulator for Vertical / Horizontal Bars



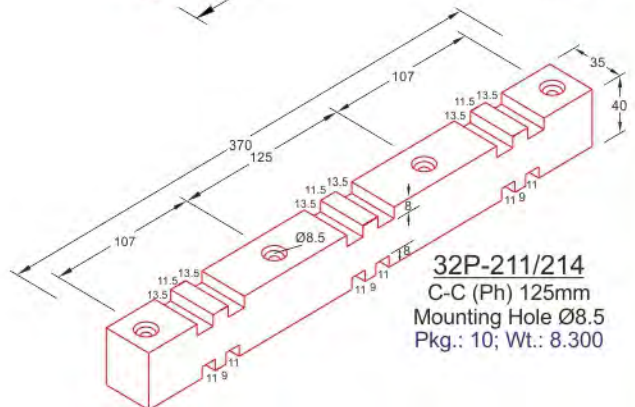
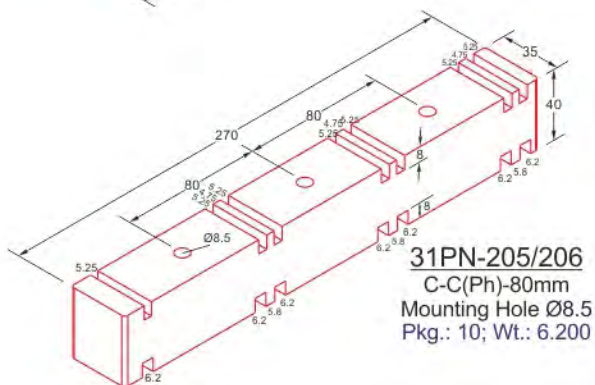
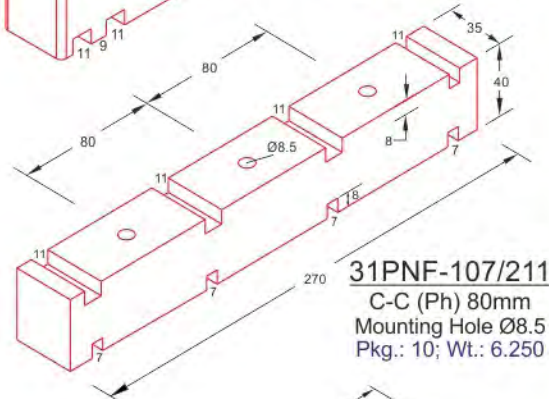
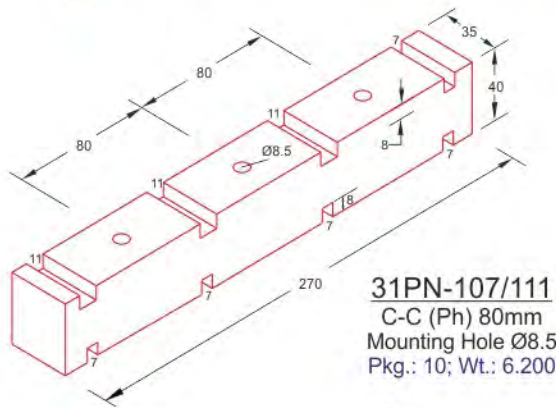
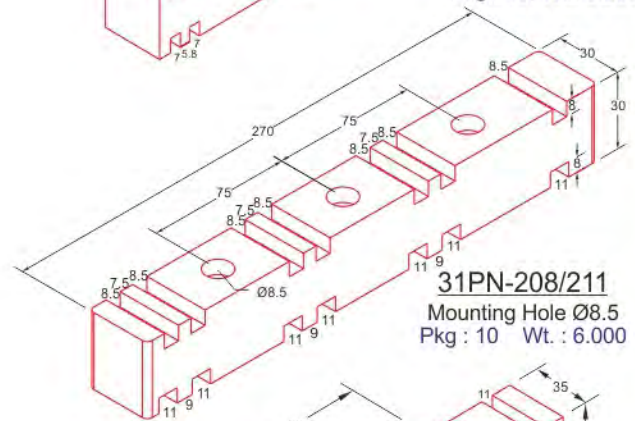
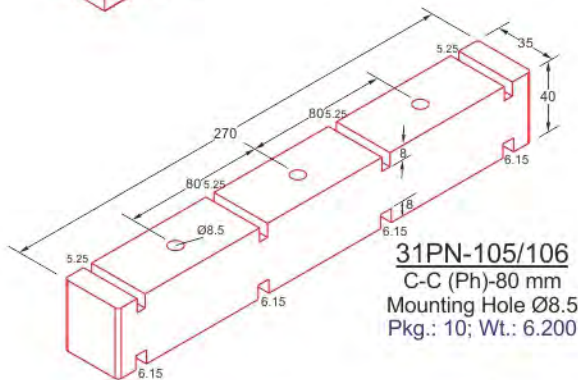
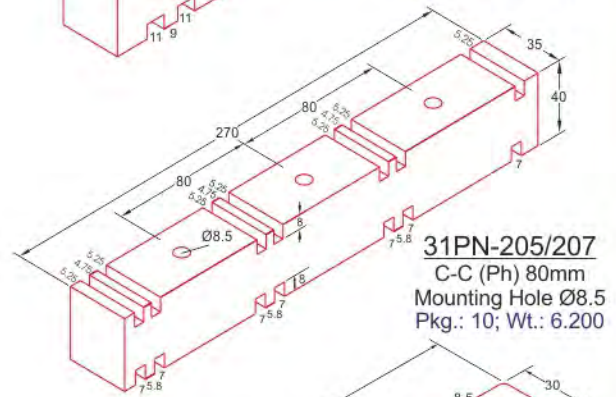
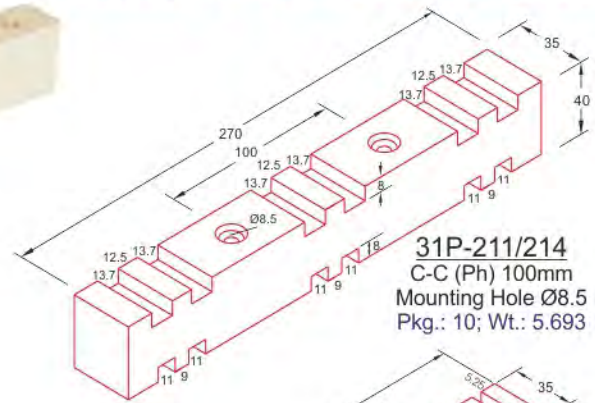
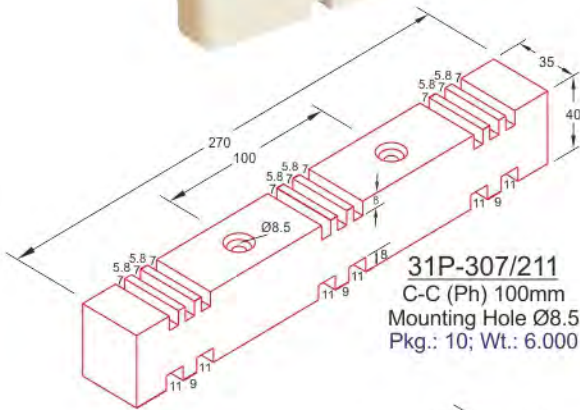
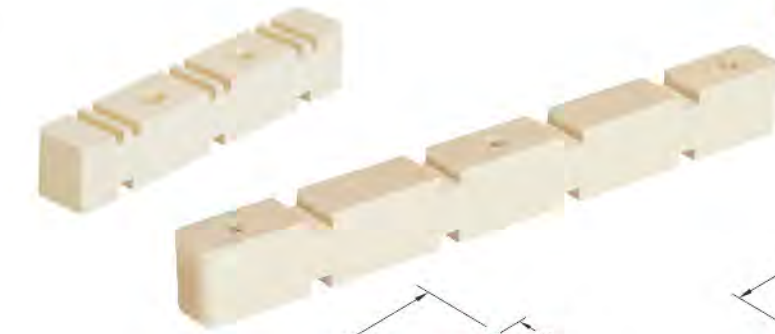
- Material : SMC (Sheet Moulding Compound) / DMC (Dough Moulding Compound) e UL File No. QEUY2.E249670 (Halogen Free)
- All Dimensions are in MM
- All Insulators are certified
- For technical details of Busbar support & Insulator, please refer POWERMAT TECHNICAL NOTES - 02/18.
- For checking the suitability of a support & insulator for a fault current, please ask for POWERMAT FAULT LEVEL CALCULATOR Software.

Insulator for Vertical / Horizontal Bars



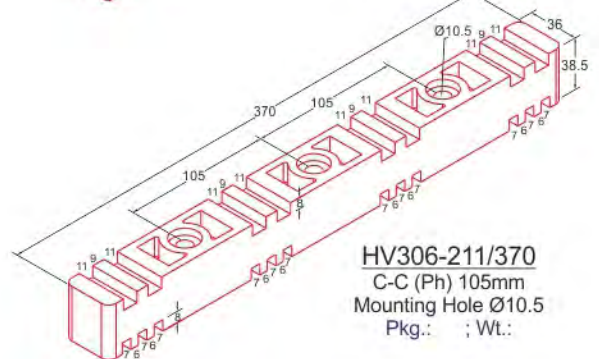
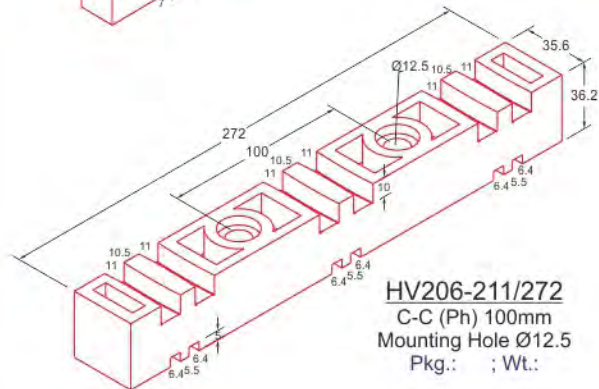
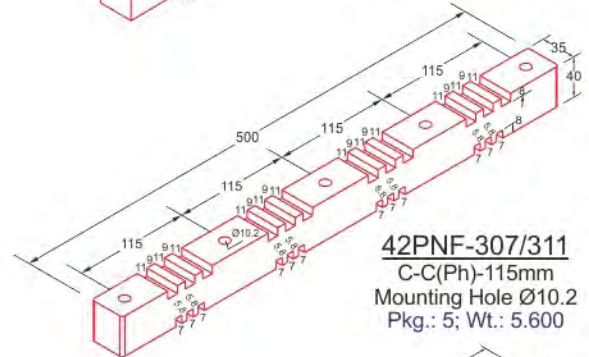
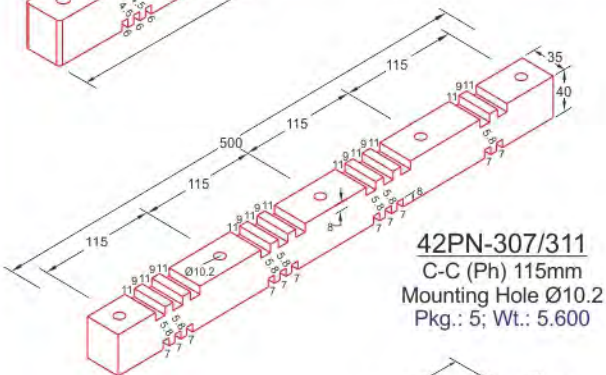
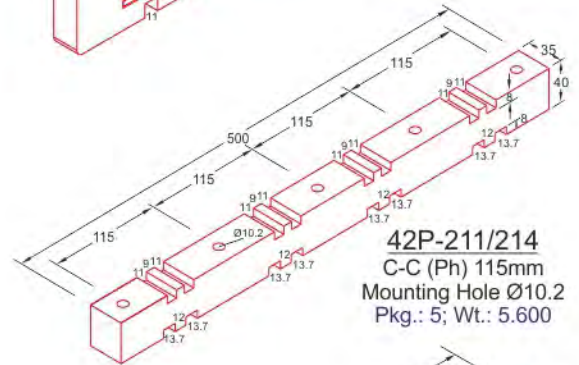
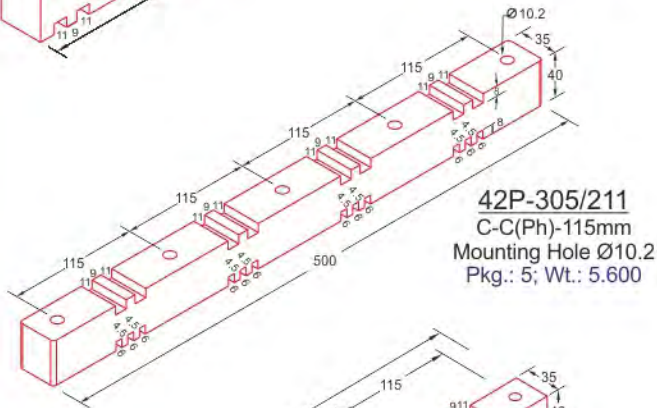
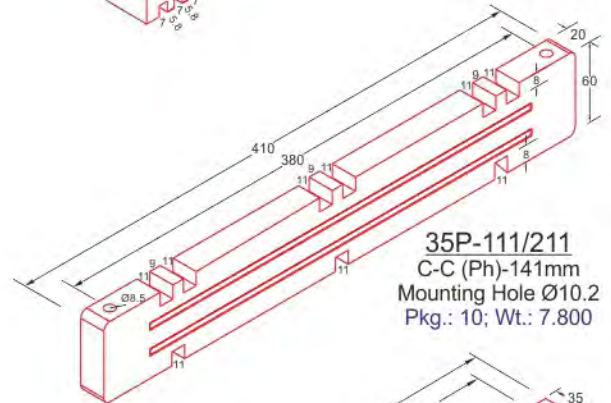
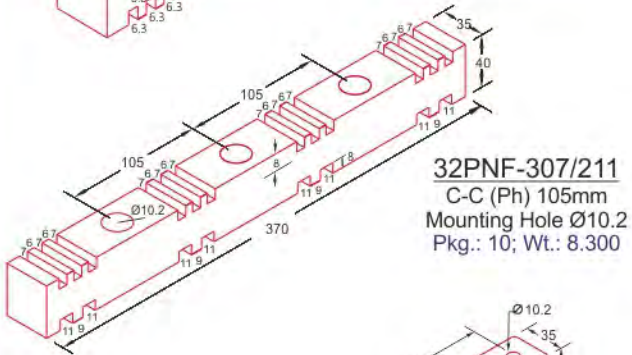
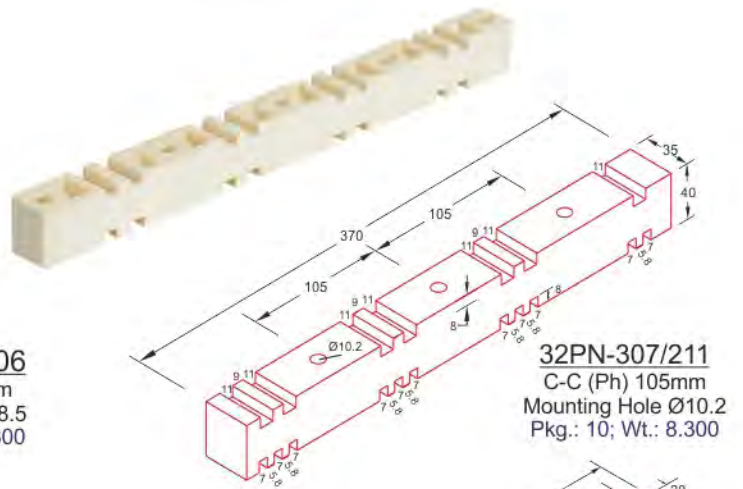
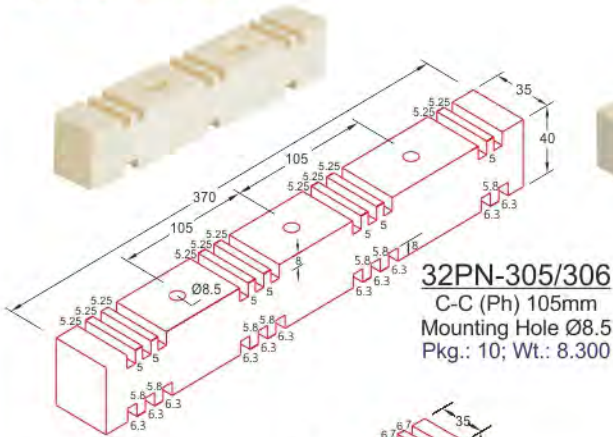
- Material : SMC (Sheet Moulding Compound) / DMC (Dough Moulding Compound)  UL File No. QEUY2.E249670 (Halogen Free)
- All Dimensions are in MM
- Mounting Detail on Page No. 83
- All Insulators are  certified
- For technical details of Busbar support & Insulator, please refer POWERMAT TECHNICAL NOTES - 02/18.
- For checking the suitability of a support & insulator for a fault current, please ask for POWERMAT FAULT LEVEL CALCULATOR Software.

Insulator for Vertical / Horizontal Bars



- Material : SMC (Sheet Moulding Compound) / DMC (Dough Moulding Compound) UL File No. QEUY2.E249670 (Halogen Free)
- All Dimensions are in MM
- C-C (Ph)=Centre to Centre Between Phases
- Mounting Detail on Page No. 83
- All Insulators are certified
- For technical details of Busbar support & Insulator, please refer POWERMAT TECHNICAL NOTES - 02/18.
- For checking the suitability of a support & insulator for a fault current, please ask for POWERMAT FAULT LEVEL CALCULATOR Software.

Insulator for Vertical / Horizontal Bars

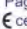


• Material : SMC (Sheet Moulding Compound) / DMC (Dough Moulding Compound)  UL File No. QEU2.E249670 (Halogen Free)

• All Dimensions are in MM

• C-C (Ph)=Centre to Centre Between Phases

• Mounting Detail on Page No. 83

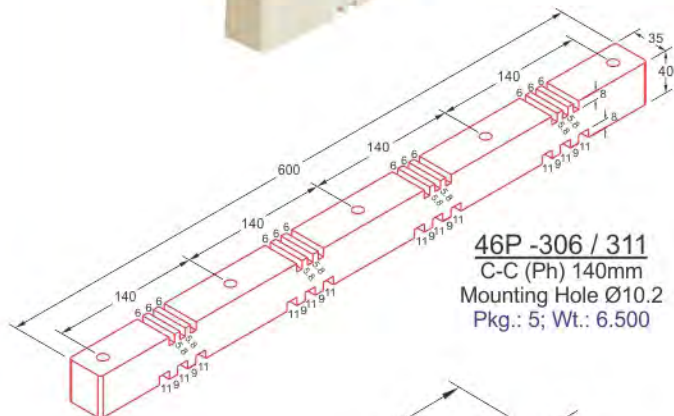
• All Insulators are  certified

• For technical details of Busbar support & Insulator, please refer POWERMAT TECHNICAL NOTES - 02/18.

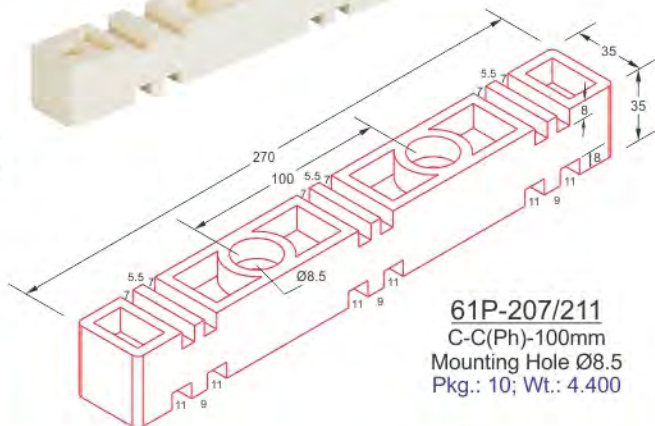
• For checking the suitability of a support & insulator for a fault current, please ask for POWERMAT FAULT LEVEL CALCULATOR Software.

POWERMAT.....

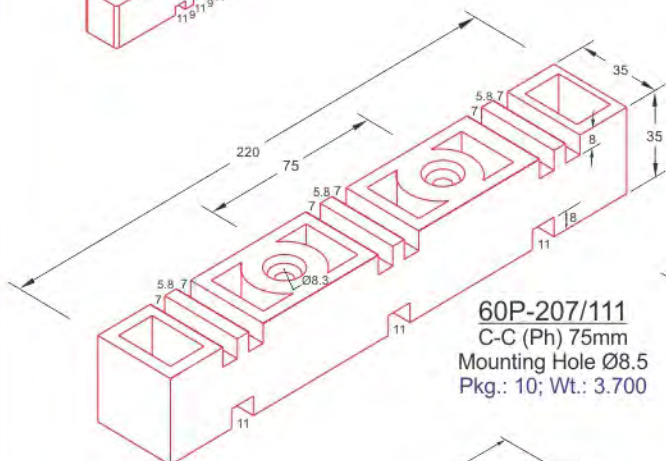
Insulator for Vertical / Horizontal Bars



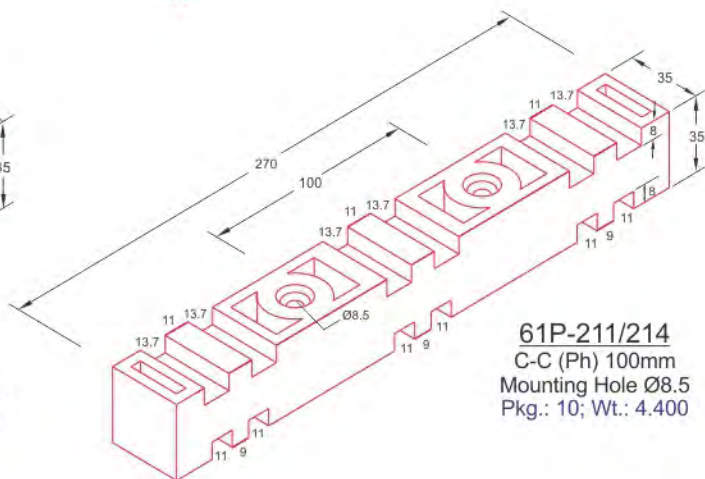
46P-306 / 311
C-C (Ph) 140mm
Mounting Hole Ø10.2
Pkg.: 5; Wt.: 6.500



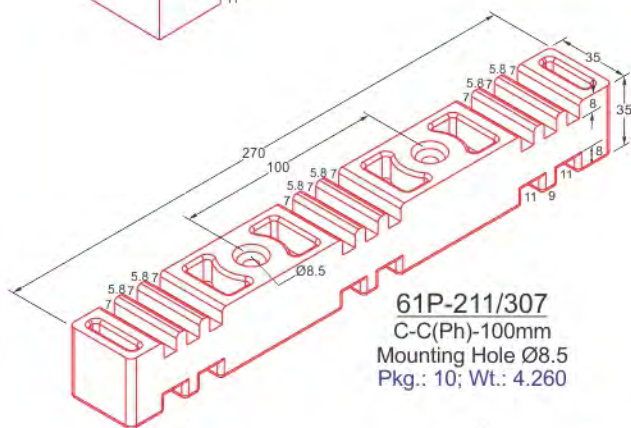
61P-207/211
C-C(Ph)-100mm
Mounting Hole Ø8.5
Pkg.: 10; Wt.: 4.400



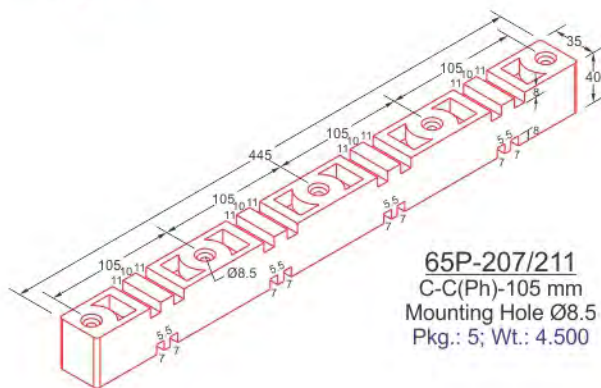
60P-207/111
C-C (Ph) 75mm
Mounting Hole Ø8.5
Pkg.: 10; Wt.: 3.700



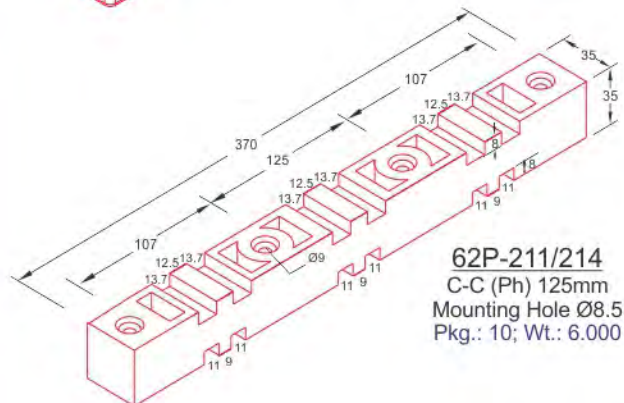
61P-211/214
C-C (Ph) 100mm
Mounting Hole Ø8.5
Pkg.: 10; Wt.: 4.400



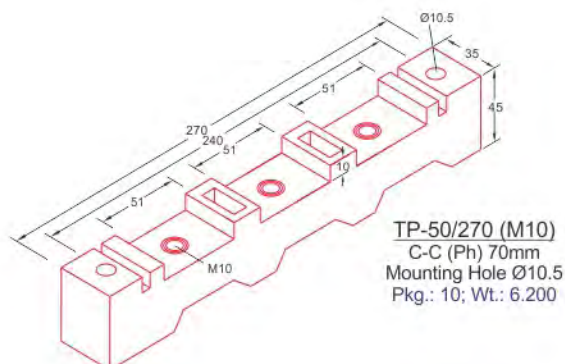
61P-211/307
C-C(Ph)-100mm
Mounting Hole Ø8.5
Pkg.: 10; Wt.: 4.260



65P-207/211
C-C(Ph)-105 mm
Mounting Hole Ø8.5
Pkg.: 5; Wt.: 4.500



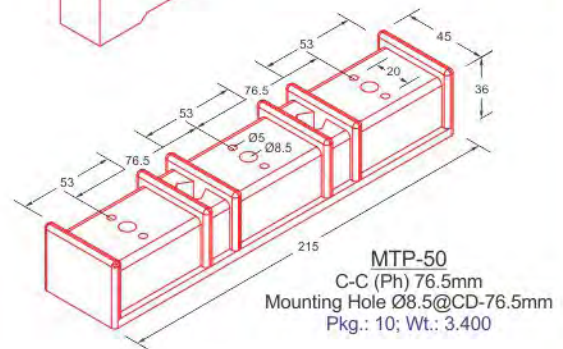
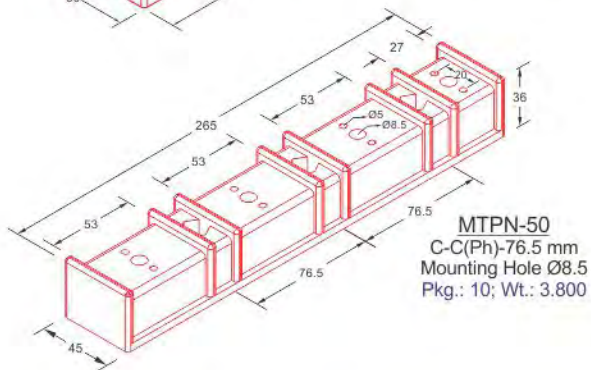
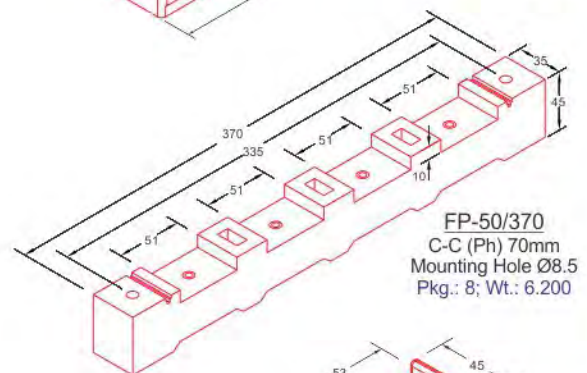
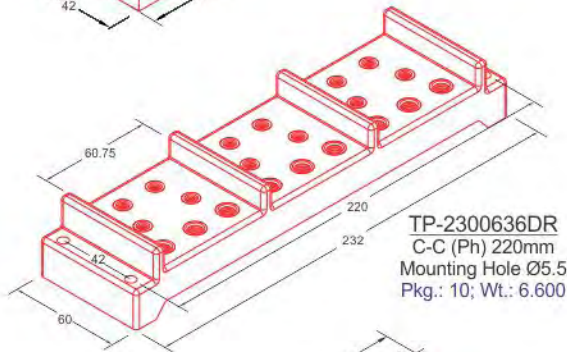
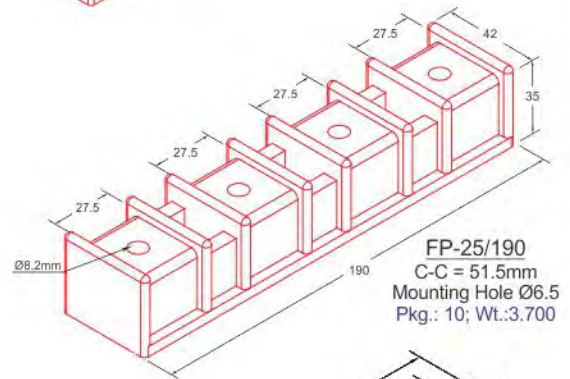
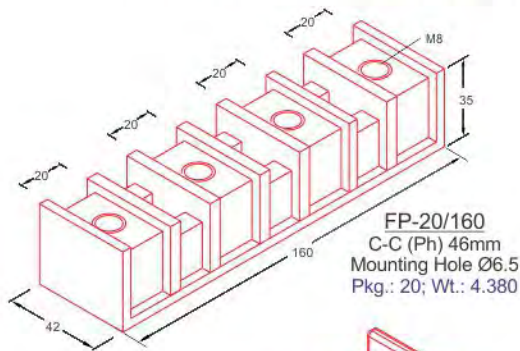
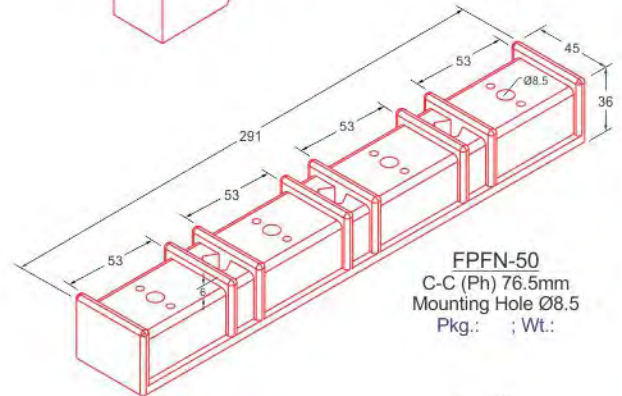
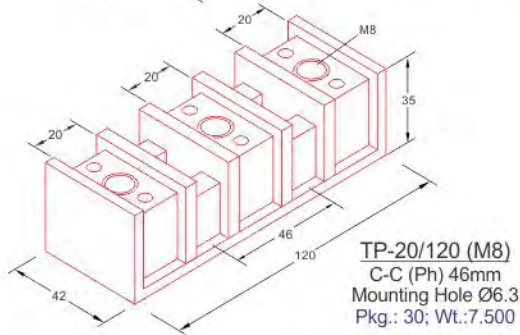
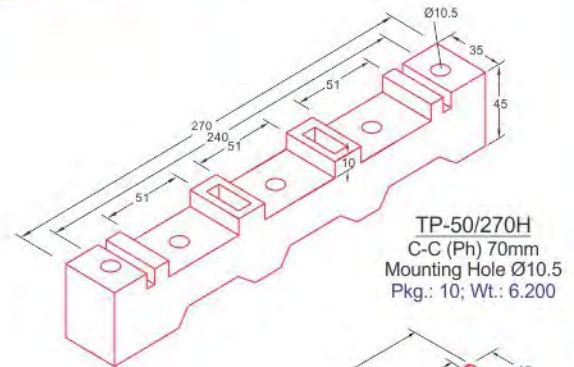
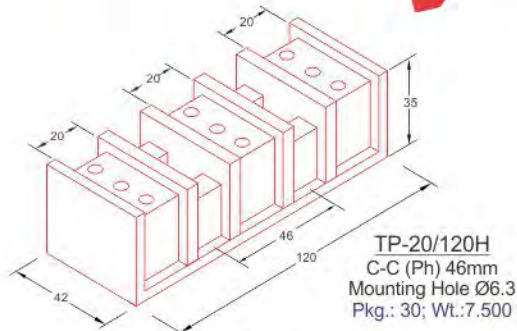
62P-211/214
C-C (Ph) 125mm
Mounting Hole Ø8.5
Pkg.: 10; Wt.: 6.000



TP-50/270 (M10)
C-C (Ph) 70mm
Mounting Hole Ø10.5
Pkg.: 10; Wt.: 6.200

- Material : SMC (Sheet Moulding Compound) / DMC (Dough Moulding Compound) UL File No. QEU2.E249670 (Halogen Free)
- All Dimensions are in MM
- C-C (Ph)=Centre to Centre Between Phases
- Mounting Detail on Page No. 83
- All Insulators are certified
- For technical details of Busbar support & Insulator, please refer POWERMAT TECHNICAL NOTES - 02/18.
- For checking the suitability of a support & insulator for a fault current, please ask for POWERMAT FAULT LEVEL CALCULATOR Software.

Insulator for Vertical / Horizontal Bars



• Material : SMC (Sheet Moulding Compound) / DMC (Dough Moulding Compound) UL File No. QEUY2.E249670 (Halogen Free)

• All Dimensions are in MM

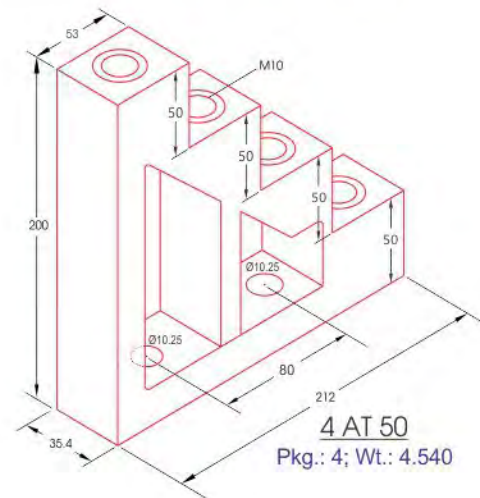
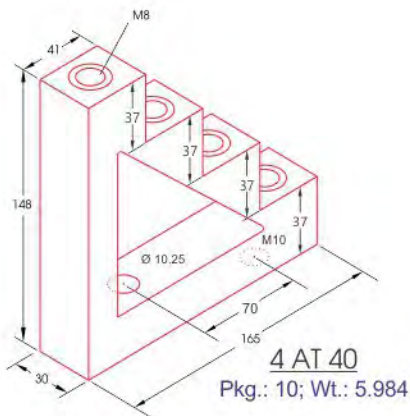
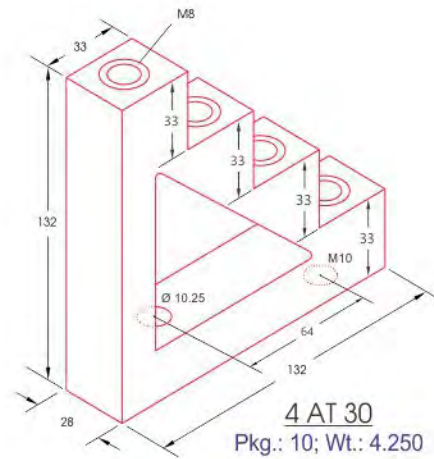
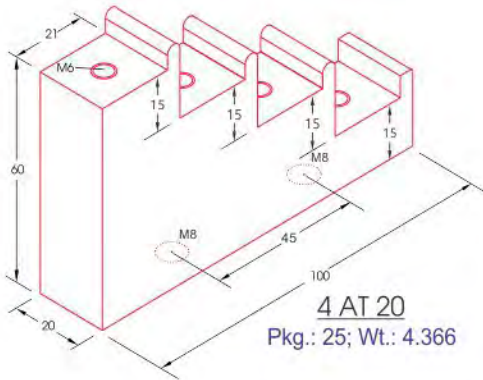
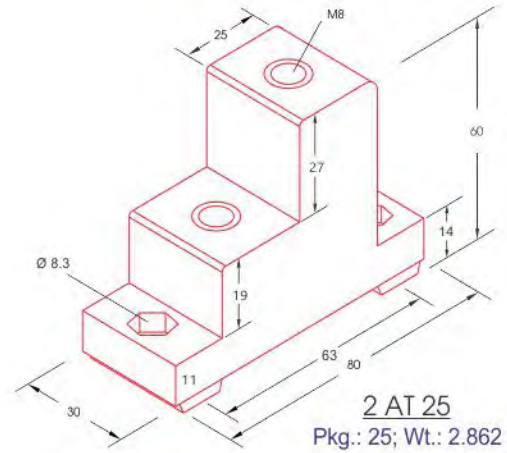
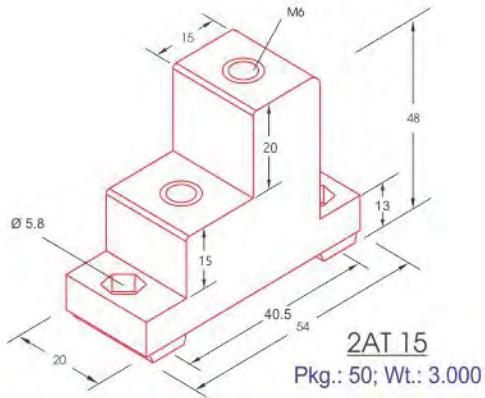
• C-C (Ph)=Centre to Centre Between Phases

• All Insulators are certified

• For technical details of Busbar support & Insulator, please refer POWERMAT TECHNICAL NOTES - 02/18.

• For checking the suitability of a support & insulator for a fault current, please ask for POWERMAT FAULT LEVEL CALCULATOR Software.

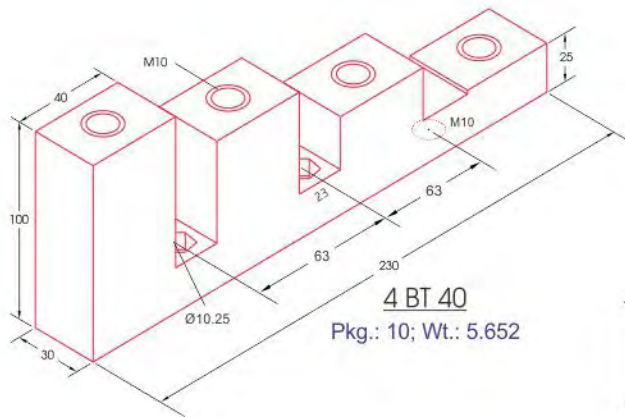
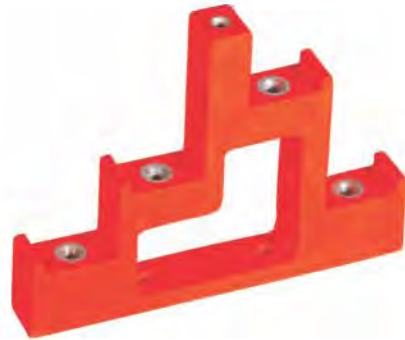
Step Insulators



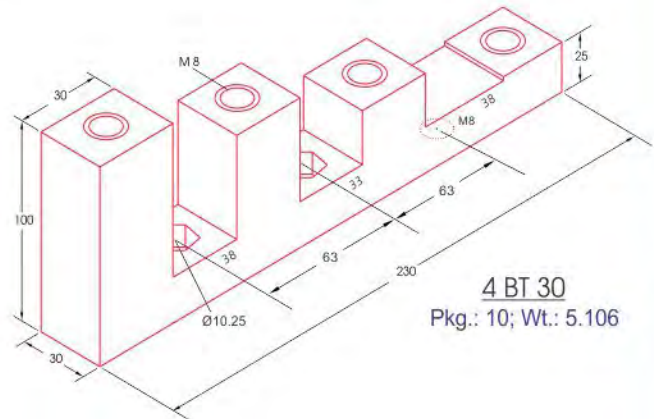
- Material : DMC (Dough Moulding Compound)  UL File No. QEUJ2.E249670 (Halogen Free)
- Insert : Brass / Steel (Zinc Passivated)
- Insert Material detail on page no. 83
- Mounting Detail on Page No. 84
- All Insulators are CE certified

- For technical details of Busbar support & Insulator, please refer POWERMAT TECHNICAL NOTES - 02/08.
- For checking the suitability of a support & insulator for a fault current, please ask for POWERMAT FAULT LEVEL CALCULATOR Software.

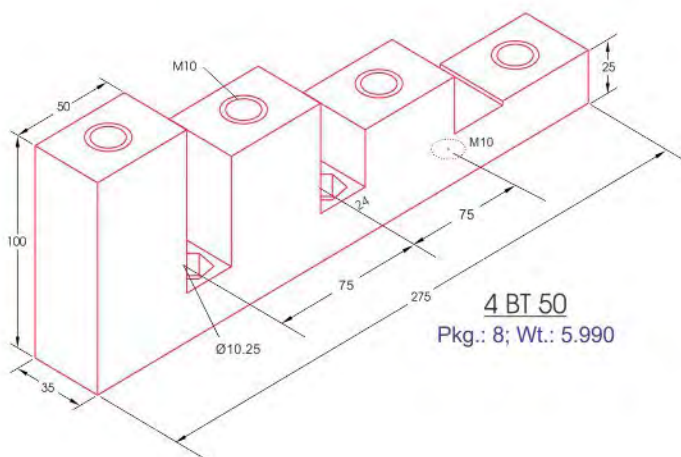
Step Insulators



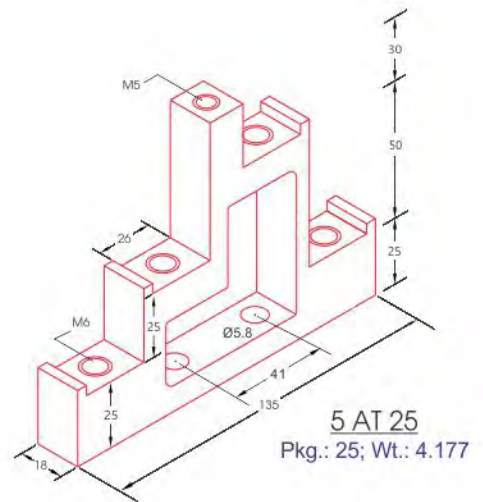
4 BT 40
Pkg.: 10; Wt.: 5.652





4 BT 30
Pkg.: 10; Wt.: 5.106



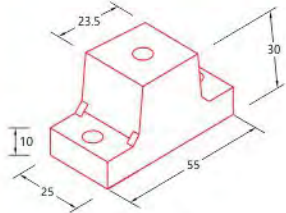
4 BT 50
Pkg.: 8; Wt.: 5.990



5 AT 25
Pkg.: 25; Wt.: 4.177

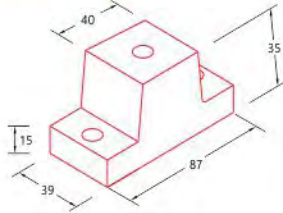
- Material : DMC (Dough Moulding Compound)  UL File No. QEU2.E249670 (Halogen Free)
- Insert : Brass / Steel (Zinc Passivated)
- Insert Material detail on page no. 83
- Mounting Detail on Page No. 84
- All Insulators are  certified
- For technical details of Busbar support & Insulator, please refer POWERMAT TECHNICAL NOTES - 02/18.
- For checking the suitability of a support & insulator for a fault current, please ask for POWERMAT FAULT LEVEL CALCULATOR Software.

Insulator for Horizontal Bars



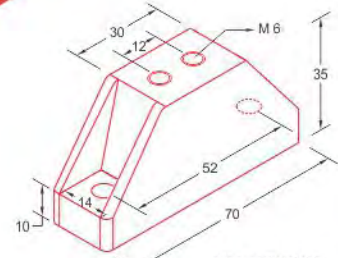
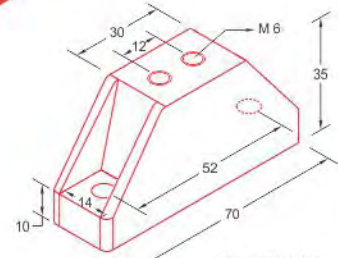
SP-30

Pkg.: 100; Wt.: 3.600



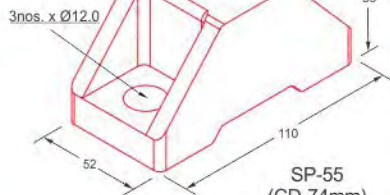
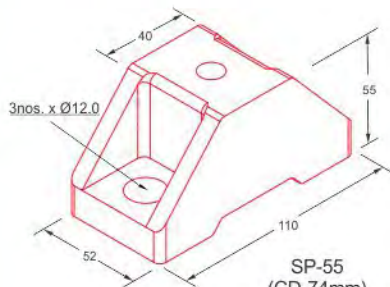
SP-35

Pkg.: 50; Wt.: 4.200



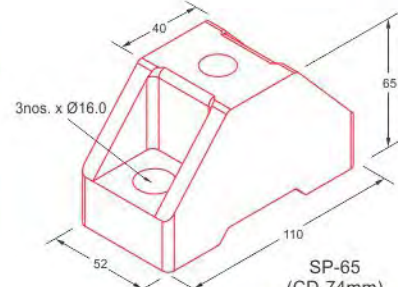
SP-200635

Pkg.: 50; Wt.: 4.300



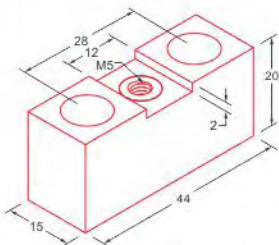
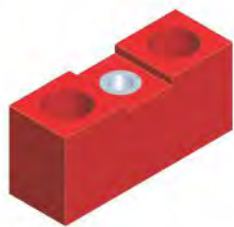
SP-55
(CD-74mm)

Pkg.: 10; Wt.: 3.200



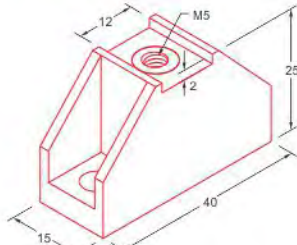
SP-65
(CD-74mm)

Pkg.: 10; Wt.: 3.800



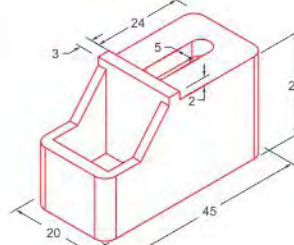
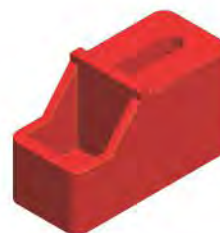
ELS 12 (M5)

Pkg.: 100; Wt.: 1.600



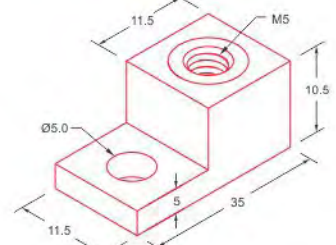
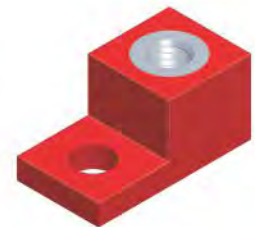
NLS 12 (M5)

Pkg.: 100; Wt.: 1.442



01EBS 25

Pkg.: 100; Wt.: 1.676

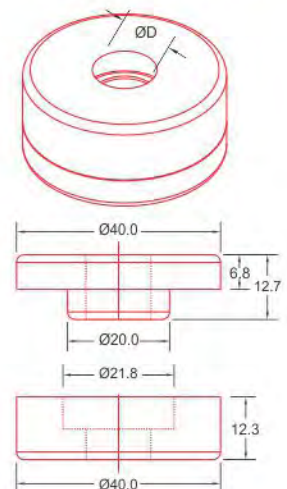


01NLSPS 11 (M5)

Pkg.: 500; Wt.: 2.358

EARTHING SUPPORT

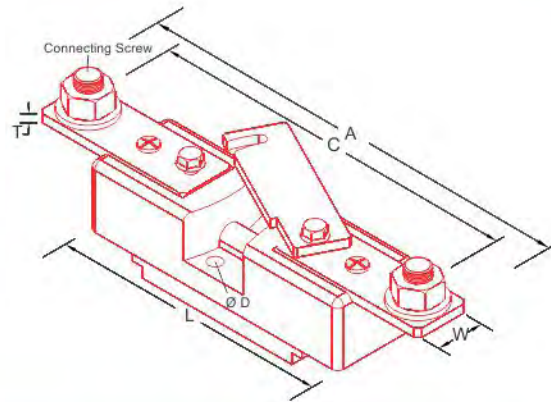
PART CODE	ØD	Std. Pkg. (Nos.)	Box Wt. (Kg.)
ES - 2040 12	12.75	100	1.200
ES - 2040 10	10.20	100	1.000
ES - 2040 08	8.20	100	0.800



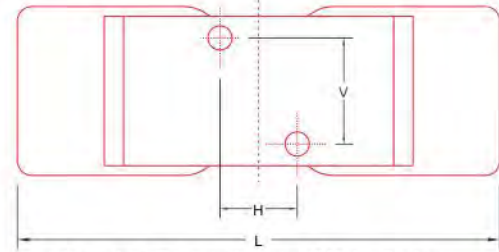
- Material : DMC (Dough Moulding Compound) UL File No. QEUY2.E249670 (Halogen Free)
- Insert : Brass / Steel (Zinc Passivated)
- Insert Material detail on page no. 83
- All Insulators are certified

- For technical details of Busbar support & Insulator, please refer POWERMAT TECHNICAL NOTES - 02/18.
- For checking the suitability of a support & insulator for a fault current, please ask for POWERMAT FAULT LEVEL CALCULATOR Software.

Neutral Link



POWERMAT code	A	C	W	L	T	C.Screw	Ø D	H	V	Std. Pkg. (Nos.)	Box Wt. (Kg.)
DTNL 32 Amp	65	57	10	65	2	M 4	5	10.8	6	100	3.500
DTNL 63 Amp	78	67	12	78	2	M 5	5	11	10	50	3.900
DTNL 100 Amp	78	67	12	78	2.5	M 5	5	11	10	50	3.900
DTNL 125 Amp	128	114	16	100	3	M 6	5.5	6	20	20	4.400
DTNL 200 Amp	160	138	20	100	3	M 8	5.5	6	20	20	5.190
DTNL 400 Amp	200	174	25	125	5	M 10	5.5	26	25	5	2.800
DTNL 600 Amp	240	210	38	140	6	M 10	6	24	24	5	5.200



Mounting Dimensions of DTNL Series

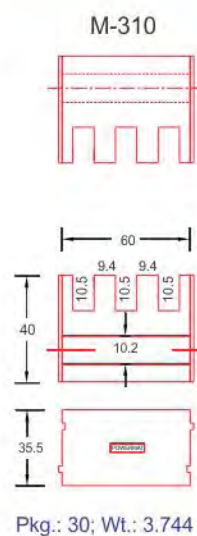
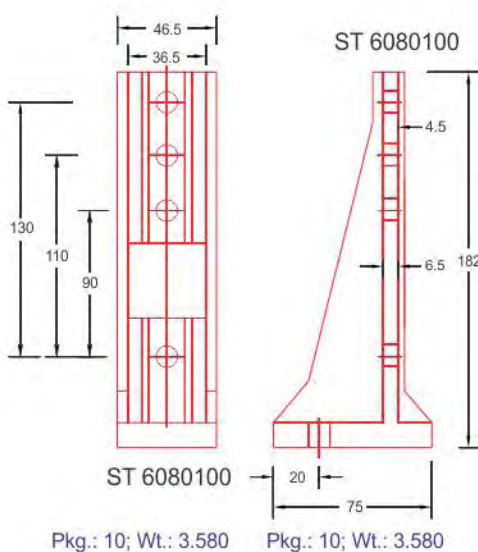


DIN Rail Channel Mounting Neutral Link

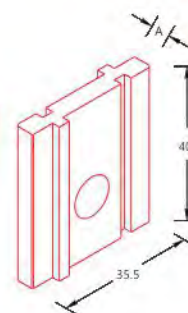
POWERMAT code	Amp Rating	Std. Pkg. (Nos.)	Box Wt. (Kg.)
PANL - 32A	32A	100	2.000
PANL - 63A	63A	100	2.250

* Case Material : Polyamide V0 Grade, Black Colour,
Contact Material : Brass / Copper Tin Plated

Modular Support



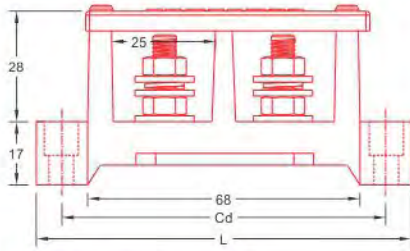
SPM - 310-A



POWERMAT code	A
SPM - 310 - 05	5
SPM - 310 - 10	10
SPM - 310 - 15	15

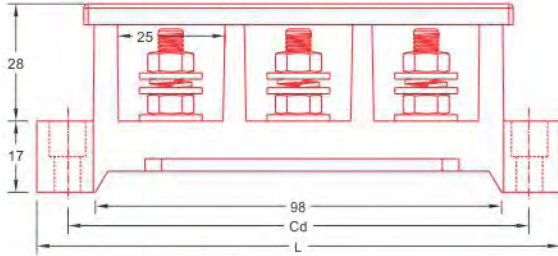
- Material : DMC (Dough Moulding Compound) UL File No. QEU2.E249670 (Halogen Free)
- Insert : Brass / Steel (Zinc Passivated)
- Insert Material detail on page no. 83
- Mounting Detail on Page No. 84
- All Insulators are certified
- For technical details of Busbar support & Insulator, please refer POWERMAT TECHNICAL NOTES - 02/18.
- For checking the suitability of a support & insulator for a fault current, please ask for POWERMAT FAULT LEVEL CALCULATOR Software.

Terminal Phase Connector



2 - Way Connector

POWERMAT code	Overall Length L	Dimension		No. of Connectors	Bolt Size	Amp. Reading (Amp.)	Std. Pkg. (Nos.)	Box Wt. (Kg.)
		Distance Between Holes Cd						
TB 2106 / *TBC 2106	95	82		2	M 6 x 27.5 MM	63	40	4.200
TB 2108 / *TBC 2108	95	82		2	M 8 x 27.5 MM	100	40	5.000



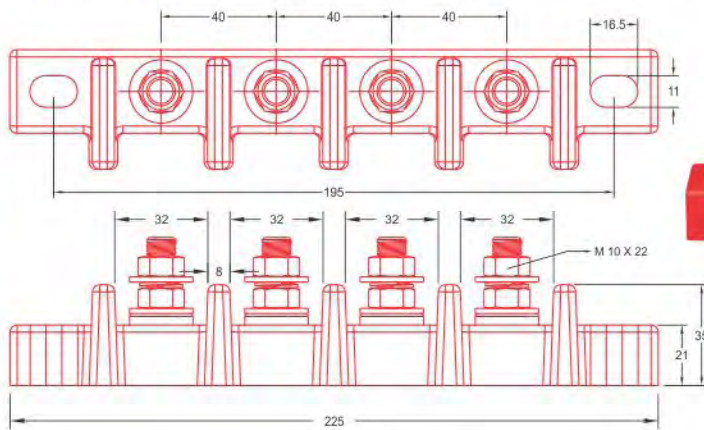
3 - Way Connector

POWERMAT code	Overall Length L	Dimension		No. of Connectors	Bolt Size	Amp. Reading (Amp.)	Std. Pkg. (Nos.)	Box Wt. (Kg.)
		Distance Between Holes Cd						
TB 3106 / *TBC 3106	125	111		3	M 6 x 27.5 MM	63	25	3.700
TB 3108 / *TBC 3108	125	111		3	M 8 x 27.5 MM	100	25	4.000



4 - Way Connector

POWERMAT code	Overall Length L	Dimension		No. of Connectors	Bolt Size	Amp. Reading (Amp.)	Std. Pkg. (Nos.)	Box Wt. (Kg.)
		Distance Between Holes Cd						
TB 4106 / *TBC 4106	165	150		4	M6 x 27.5mm	63	20	4.200
TB 4108 / *TBC 4108	165	150		4	M8 x 27.5mm	100	20	5.300
TB 4210 /	225	195		4	M10 x 36mm	150	10	4.900
TB 4212 / *TBC 4212	310	280		4	M12 x 45mm	200	4	4.200

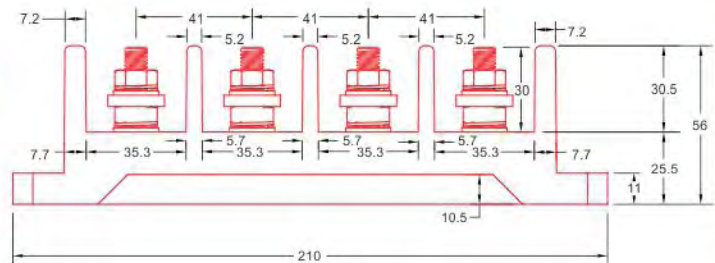
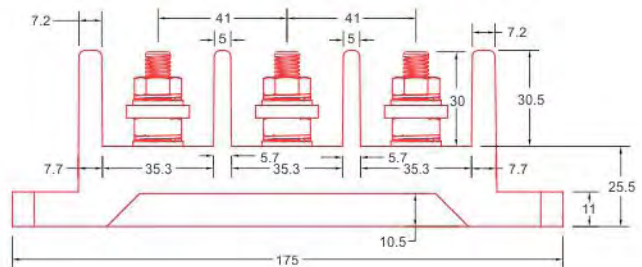
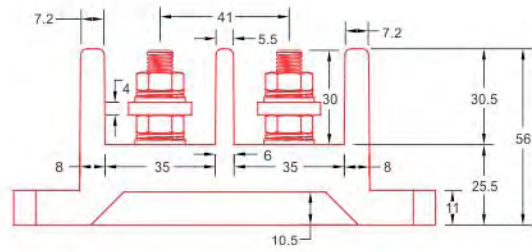


TB 4210

* "XXC-XXXX" with Polycarbonate Cover on TOP

- Material : DMC (Dough Moulding Compound) UL File No. QEUY2.E249670 (Halogen Free)
- All Dimensions are in MM
- Stud Insert : Brass
- Insert Material detail on page no. 83

Terminal Phase Connector



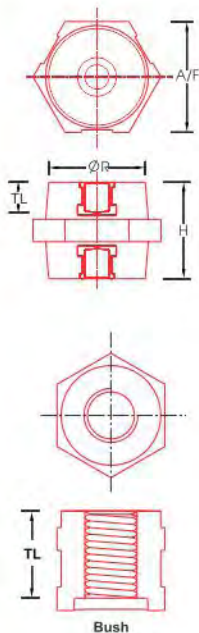
Terminal Connector

POWERMAT Code	Terminals No.	Dimension		Material
		Width (mm)	Thickness (mm)	
TC-2W35-160	2	64	4	Copper
TC-3W35-160	3	64	4	Copper
TC-4W35-160	4	64	4	Copper
TC-2W35-200	2	64	4	Copper
TC-3W35-200	3	64	4	Copper
TC-4W35-200	4	64	4	Copper

Polyamide Series



Standoff Insulators (Polyamide-Supports)



POWERMAT Code	H mm	AF mm	Ø R mm	TL mm	Nominal Voltage (AC / DC)	Std. Pkg. (Nos.)	Box Wt. (Kg.)
PH 415 (M4)-XX	15	15	12	3.5	800/1100	300	1.800
PH 420 (M4)-XX	20	18	15	5	1100/1500	300	3.000
PH 620 (M6)-XX	20	18	16	5	1100/1500	300	4.800
PH 6(7)20 (M6)-XX	20	18	16	7	1100/1500	300	4.800
PH 525 (M5)-XX	25	20	16	7	1400/1900	200	4.200
PH 625 (M6)-XX	25	20	16	7	1400/1900	200	4.000
PH 630 (M6)-XX	30	30	26	9	1600/2200	50	2.300
PH 830 (M8)-XX	30	30	26	9	1600/2200	50	2.150
PH 635 (M6)-XX	35	40	34	12	1900/2600	50	4.400
PH 835 (M8)-XX	35	40	34	12	1900/2600	50	4.150
PH 1035 (M10)-XX	35	40	34	12	1900/2600	50	3.950
PH 840S (M8)-XX	40	41	34	12	2200/3000	50	5.900
PH 640 (M6)-XX	40	45	40	12	2200/3000	50	5.900
PH 840 (M8)-XX	40	45	40	12	2200/3000	50	5.750
PH 1040 (M10)-XX	40	45	40	12	2200/3000	50	5.500
PH 1240 (M12)-XX	40	45	40	12	2200/3000	50	5.550
PH 645L (M6)-XX	45	41	34	12	2500/3500	40	5.300
PH 845L (M8)-XX	45	41	34	12	2500/3500	40	5.250
PH 845 (M8)-XX	45	50	40	12	2500/3500	40	5.280
PH 1045 (M10)-XX	45	50	40	12	2500/3500	40	5.120
PH 650 (M6)-XX	50	50	40	12	2800/3900	40	6.040
PH 850 (M8)-XX	50	50	40	17	2800/3900	40	6.160
PH 1050 (M10)-XX	50	50	40	17	2800/3900	40	5.880
PH 1250 (M12)-XX	50	50	40	17	2800/3900	40	5.800
PH 860 (M8)-XX	60	54	45	17	3300/4600	20	4.180
PH 1060 (M10)-XX	60	54	45	17	3300/4600	20	4.800
PH 1260 (M12)-XX	60	54	45	17	3300/4600	20	4.620
PH 1660 (M16)-XX	60	54	45	17	3300/4600	20	4.260
PH 1070 (M10)-XX	70	65	50	21	3900/5400	10	3.550
PH 1270 (M12)-XX	70	65	50	21	3900/5400	10	3.510
PH 1670 (M16)-XX	70	65	50	21	3900/5400	10	3.400
PH 1075 (M10)-XX	75	65	50	21	4200/5800	10	3.220
PH 1275 (M12)-XX	75	65	50	21	4200/5800	10	3.660
PH 1675 (M16)-XX	75	65	50	21	4200/5800	10	3.570
PH 1280 (M12)-XX	80	65	50	25	4500/6300	10	3.990
PH 1680 (M16)-XX	80	65	50	25	4500/6300	10	3.600
PH 12100 (M12)-XX	100	65	50	25	5600/7800	12	6.000
PH 16100 (M16)-XX	100	65	50	25	5600/7800	12	5.520

UL UL File No. QEUY2.E249670 (Halogen Free)

- Material :
- XX = HB or V0

HB Grade : Polyamide / Nylon 6/6 (17% Glass Filled, Natural Col.)
V0 Grade : Polyamide / Nylon 6/6 (25% Glass Filled, Black)

- All Dimensions are in MM
- TL : Effective Thread Length
- All Insulators are **CE** certified

• Insert : Aluminium / Brass / Steel (Zinc Passivated) / Stainless Steel

• Mounting Detail of PH and PAGP Series on Page no. 80, 81

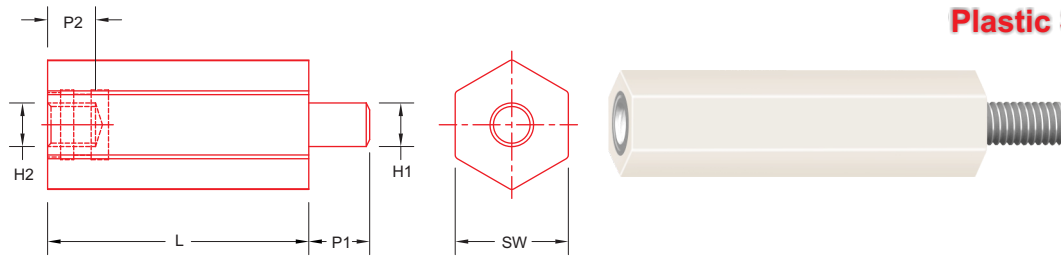
• Insert Material detail on page no. 83

* For maximum torque please see page no. 83

• For technical details of Busbar support & Insulator, please refer POWERMAT TECHNICAL NOTES - 02/18

• For checking the suitability of a support & insulator for a fault current, please ask for POWERMAT FAULT LEVEL CALCULATOR Software.

POWERMAT.....



PLASTIC SPACER

Series	Product Code	Length (L) mm	Stud (H1 X P1) mm	Insert (H2 X P2) mm	TL (mm)	AF (SW) mm	Std. Pkg. (Nos.)	Box Wt. (Kg.)
3S Series	3S15-07	15	M3 x 7mm	M3 x 8.5mm	7	7	1000	1.000
	3S20-07	20	M3 x 7mm	M3 x 8.5mm	7	7	1000	1.010
	3S25-07	25	M3 x 7mm	M3 x 8.5mm	7	7	500	1.000
	3S30-07	30	M3 x 7mm	M3 x 8.5mm	7	7	500	1.200
	3S40-07	40	M3 x 7mm	M3 x 8.5mm	7	7	250	0.700
	3S55-07	55	M3 x 7mm	M3 x 8.5mm	7	7	250	0.850
4S Series	4S15-09	15	M4 x 7mm	M4 x 8.5mm	7	9	500	0.650
	4S20-09	20	M4 x 7mm	M4 x 8.5mm	7	9	500	0.720
	4S25-09	25	M4 x 7mm	M4 x 8.5mm	7	9	400	0.800
	4S30-09	30	M4 x 7mm	M4 x 8.5mm	7	9	250	0.750
	4S40-09	40	M4 x 7mm	M4 x 8.5mm	7	9	200	0.700
	4S45-09	45	M4 x 7mm	M4 x 8.5mm	7	9	200	
	4S50-09	50	M4 x 7mm	M4 x 8.5mm	7	9	200	
	4S55-09	55	M4 x 7mm	M4 x 8.5mm	7	9	200	0.860
	4S60-09	60	M4 x 7mm	M4 x 8.5mm	7	9	200	0.950
	4S90-09	90	M4 x 7mm	M4 x 8.5mm	7	9	100	0.900
5S Series	5S15-13	15	M5 x 7mm	M5 x 8.5mm	7	13	500	0.750
	5S20-13	20	M5 x 7mm	M5 x 8.5mm	7	13	500	1.000
	5S25-13	25	M5 x 7mm	M5 x 8.5mm	7	13	500	1.250
	5S30-13	30	M5 x 7mm	M5 x 8.5mm	7	13	250	0.725
	5S35-13	35	M5 x 7mm	M5 x 8.5mm	7	13	250	
	5S40-13	40	M5 x 7mm	M5 x 8.5mm	7	13	250	
	5S45-13	45	M5 x 7mm	M5 x 8.5mm	7	13	250	1.000
	5S55-13	55	M5 x 7mm	M5 x 8.5mm	7	13	250	1.350
	5S70-13	70	M5 x 7mm	M5 x 8.5mm	7	13	100	0.700
	5S85-13	85	M5 x 7mm	M5 x 8.5mm	7	13	100	0.850
5S120-13	120	M5 x 7mm	M5 x 8.5mm	7	13	50	0.600	
6S Series	6S15-13	15	M6 x 7mm	M6 x 8.5mm	7	13	500	0.750
	6S20-13	20	M6 x 7mm	M6 x 8.5mm	7	13	250	0.600
	6S25-13	25	M6 x 7mm	M6 x 8.5mm	7	13	250	0.750
	6S30-13	30	M6 x 7mm	M6 x 8.5mm	7	13	200	0.700
	6S35-13	35	M6 x 7mm	M6 x 8.5mm	7	13	200	0.750
	6S40-13	40	M6 x 7mm	M6 x 8.5mm	7	13	200	0.750
	6S45-13	45	M6 x 7mm	M6 x 8.5mm	7	13	200	1.100
	6S60-13	60	M6 x 7mm	M6 x 8.5mm	7	13	100	0.720
	6S70-13	70	M6 x 7mm	M6 x 8.5mm	7	13	100	0.840
	6S85-13	85	M6 x 7mm	M6 x 8.5mm	7	13	100	
6S120-13	120	M6 x 7mm	M6 x 8.5mm	7	13	50	0.700	

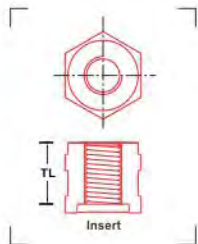
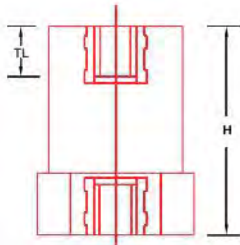
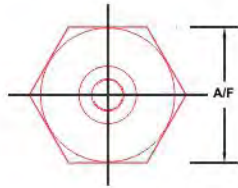
- Material : PBT
- All Dimensions are in MM
- TL : Effective Thread Length
- All Insulators are CE certified

- Insert : Aluminium / Brass / Steel (Zinc Passivated) / Stainless Steel
- Insert Material detail on page no. 83
- For maximum torque please see page no. 83

- For technical details of Busbar support & Insulator, please refer POWERMAT TECHNICAL NOTES - 02/18.
- For checking the suitability of a support & insulator for a fault current, please ask for POWERMAT FAULT LEVEL CALCULATOR Software.

Polyamide Series

Polyamide 21RH Series (AF-21.0mm)



POWERMAT Code	Height (H) (mm)	TL (mm)	Nominal Voltage (AC / DC)
PA21RH520 (M5)	20	6	1100/1500
PA21RH525 (M5)	25	6	1400/1900
PA21RH530 (M5)	30	9	1600/2200
PA21RH535 (M5)	35	12	1900/2600
PA21RH540 (M5)	40	12	2200/3000
PA21RH545 (M5)	45	12	2500/3500
PA21RH550 (M5)	50	12	2800/3900
PA21RH620 (M6)	20	6	1100/1500
PA21RH625 (M6)	25	6	1400/1900
PA21RH630 (M6)	30	9	1600/2200
PA21RH635 (M6)	35	12	1900/2600
PA21RH640 (M6)	40	12	2200/3000
PA21RH645 (M6)	45	12	2500/3500
PA21RH650 (M6)	50	12	2800/3900
PA21RH820 (M8)	20	6	1100/1500
PA21RH825 (M8)	25	6	1400/1900
PA21RH830 (M8)	30	9	1600/2200
PA21RH835 (M8)	35	12	1900/2600
PA21RH840 (M8)	40	12	2200/3000
PA21RH845 (M8)	45	12	2500/3500
PA21RH850 (M8)	50	12	2800/3900

Polyamide 30RH Series (AF-30.0mm)

POWERMAT Code	Height (H) (mm)	TL (mm)	Nominal Voltage (AC / DC)
PA30RH630 (M6)	30	9	1600/2200
PA30RH635 (M6)	35	12	1900/2600
PA30RH640 (M6)	40	12	2200/3000
PA30RH645 (M6)	45	12	2500/3500
PA30RH650 (M6)	50	12	2800/3900
PA30RH655 (M6)	55	12	2800/3900
PA30RH660 (M6)	60	12	3300/4600
PA30RH665 (M6)	65	12	3300/4600
PA30RH670 (M6)	70	12	3900/5400
PA30RH830 (M8)	30	9	1600/2200
PA30RH835 (M8)	35	12	1900/2600
PA30RH840 (M8)	40	12	2200/3000
PA30RH845 (M8)	45	12	2500/3500
PA30RH850 (M8)	50	17	2800/3900
PA30RH855 (M8)	55	17	2800/3900
PA30RH860 (M8)	60	17	3300/4600
PA30RH865 (M8)	65	17	3300/4600
PA30RH870 (M8)	70	17	3900/5400

• Material : DMC (Dough Moulding Compound) UL File No. QEUY2.E249670 (Halogen Free)

• All Dimensions are in MM

• TL : Effective Thread Length

• All Insulators are certified

• For technical details of Busbar support & Insulator, please refer POWERMAT TECHNICAL NOTES - 02/18.

• For checking the suitability of a support & insulator for a fault current, please ask for POWERMAT FAULT LEVEL CALCULATOR Software.

• Insert : Aluminium / Brass / Steel (Zinc Passivated) / Stainless Steel

• Insert Material detail on page no. 83

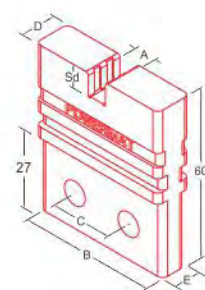
• For maximum torque please see page no. 83



Finger Supports-N Series (Polyamide)

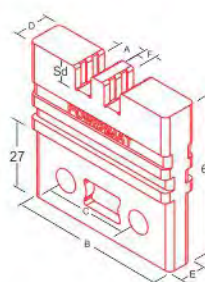
N1 Series

Busbar Details	POWERMAT Code	A	B	C	D	E	F	Sd	Std. Pkg. (Nos.)	Box Wt. (Kg.)
6mm x 1 run	106 N1	7	50	22	13	9	-	8	50	1.841
10mm x 1 run	110 N1	11	50	22	13	9	-	8	50	1.800
12mm x 1 run	112 N1	13.7	50	22	13	9	-	8	50	1.795



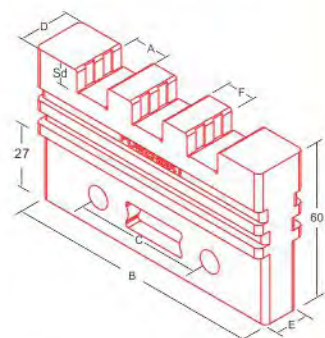
N3 Series

6mm x 1 run	106 N3	7	60	32	13	9	-	8	50	2.185
10mm x 1 run	110 N3	11	60	32	13	9	-	8	50	2.180
12mm x 1 run	112 N3	13.7	60	32	13	9	-	8	50	2.145
6mm x 2 runs	206 N3	7	60	32	13	9	5.8	8	50	2.142
10mm x 2 runs	210 N3	11	60	32	13	9	9	8	60	2.556
12mm x 2 runs	212 N3	13.7	60	32	13	9	11.8	8	50	2.256



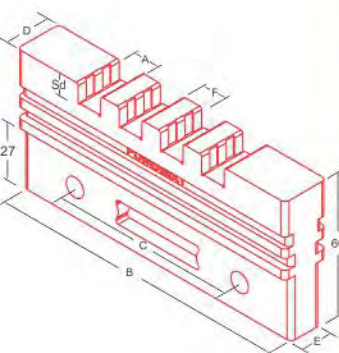
N4 Series

10mm x 3 runs	310 N4	11	85	50	13	9	9	8	30	1.827
12mm x 3 runs	312 N4	13.7	85	50	13	9	11	8	30	1.800
6mm x 4 runs	406 N4	7	85	50	13	9	5.6	8	30	1.827



N5 Series

6mm x 1 run	106 N5	7	70	40	20	14	-	8	50	3.940
10mm x 1 run	110 N5	11	70	40	20	14	-	8	50	3.900
12mm x 1 run	112 N5	13.7	70	40	20	14	-	8	50	3.943
6mm x 2 runs	206 N5	7	70	40	20	14	5.8	8	50	3.970
10mm x 2 runs	210 N5	11	70	40	20	14	9	8	50	3.875
12mm x 2 runs	212 N5	13.7	70	40	20	14	11	8	50	3.710
6mm x 3 runs	306 N5	7	70	40	20	14	5.8	8	50	3.900



N7 Series

10mm x 3 runs	310 N7	11	100	50	20	14	9	8	30	3.443
12mm x 3 runs	312 N7	13.7	100	50	20	14	11	8	20	2.281
6mm x 4 runs	406 N7	7.2	100	50	20	14	5.6	8	20	2.270
6mm x 6 runs	606 N7	7.2	100	50	20	14	5	8	20	2.278

N9 Series

10mm x 4 runs	410 N9	11	130	80	20	14	9	8	20	2.894
12mm x 4 runs	412 N9	13.7	130	80	20	14	11	8	20	2.832

• Material : Polyamide / Nylon 6/6 (17% Glass Filled)
• All Dimensions are in MM

• Mounting Hole Ø 8.5mm
• Mounting Detail on Page No. 80, 81

• For technical details of Busbar support & Insulator, please refer POWERMAT TECHNICAL NOTES - 02/18.

• For checking the suitability of a support & insulator for a fault current, please ask for POWERMAT FAULT LEVEL CALCULATOR Software.

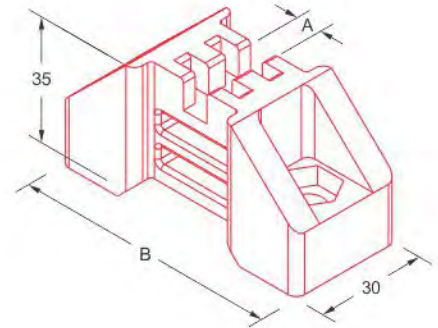
Insulator for Vertical Bars



Finger Supports - PATM Series (Polyamide)

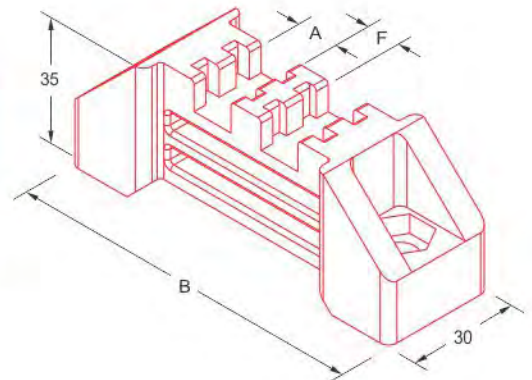
Single Way

Busbar Details	POWERMAT Code	Dimensions				Std. Pkg. (Nos.)	Box Wt. (Kg.)
		A mm	F mm	B mm	M mm		
6mm x 1R	PATM 106	7	-	70	47	50	2.600
10mm x 1R	PATM 110	11	-	70	47	50	2.600
12mm x 1R	PATM 112	13.7	-	70	47	50	2.600



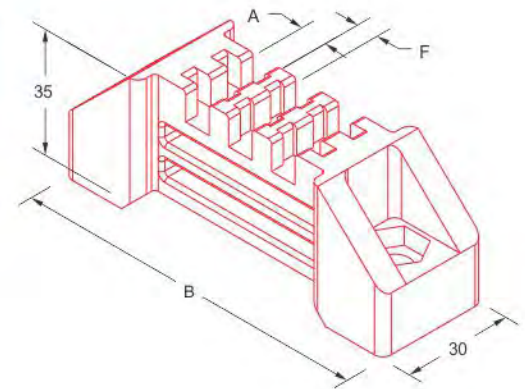
Two Way

Busbar Details	POWERMAT Code	Dimensions				Std. Pkg. (Nos.)	Box Wt. (Kg.)
		A mm	F mm	B mm	M mm		
6mm x 2R	PATM 206	7	5.8	95	72	50	3.250
10mm x 2R	PATM 210	11	9	95	72	50	3.250
12mm x 2R	PATM 212	13.7	11	95	72	50	3.250



Three Way

Busbar Details	POWERMAT Code	Dimensions				Std. Pkg. (Nos.)	Box Wt. (Kg.)
		A mm	F mm	B mm	M mm		
6mm x 3R	PATM 306	7	5.8	95	72	50	3.250
10mm x 3R	PATM 310	11	9	125	100	50	4.250
12mm x 3R	PATM 312	13.7	11	125	100	50	4.250



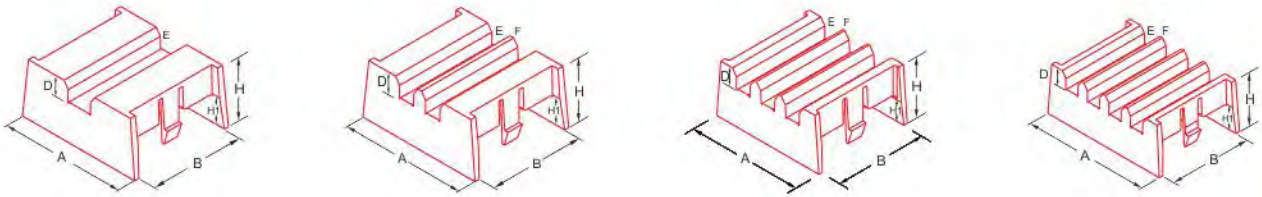
- * Suitable for Solar Panel Application , 800 Volt AC systems
- * Material: Glass Reinforced Polyamide 6.6
- * Flammability: UL 94 V-0
- * Glow Wire: 960° C
- * Creepage Distance - > 50.0 mm
- * Equipment Voltage Ue: 1000 V AC, 1500 V DC
- * Insulation Voltage Ui: 1000 V AC, 1500 V DC
- * Impulse Voltage Uimp: 12 kV
- * Strong Support for higher current rating
- * Support can hold one, two, three & four conductors
- * Minimize the Panel heights.

- Material : Polyamide 6/6
- All Dimensions are in MM
- Tolerances are as per DIN standard 2768
- All Insulators are CE certified

- For technical details of Busbar support & Insulator, please refer POWERMAT TECHNICAL NOTES - 02/18.
- For checking the suitability of a support & insulator for a fault current, please ask for POWERMAT FAULT LEVEL CALCULATOR Software.

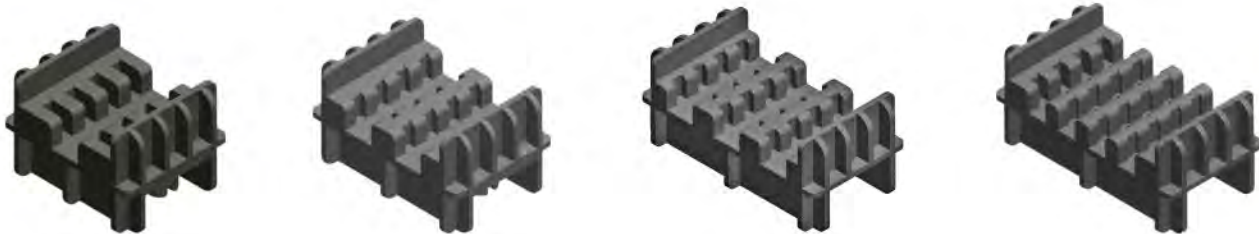


Polyamide Grip Type Supports



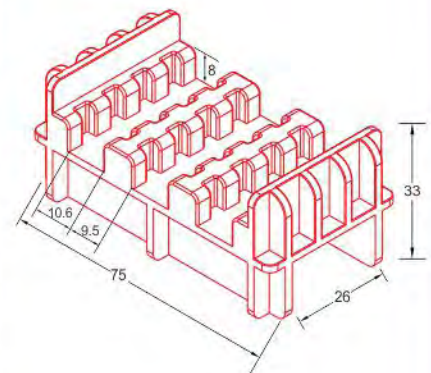
Polyamide Clip on Grip Type Supports (PAGP Series)

Busbar Details	POWERMAT Code	A	B	C	D	E	Std. Pkg. (Nos.)	Box Wt. (Kg.)
10mm x 1 run	PAGP 110	54	38	20	11	-	50	1.450
12mm x 1 run	PAGP 112	54	38	20	13.7	-	50	1.425
6mm x 2 run	PAGP 207	54	38	20	7.0	5.8	50	1.350
10mm x 2 run	PAGP 210	54	38	20	11	9.0	50	1.200
12mm x 2 run	PAGP 212							
6mm x 3 run	PAGP 307	54	38	20	7.0	5.8	50	1.200
10mm x 3 run	PAGP 310	72	41	30	11	9.0	30	1.440
6mm x 4 run	PAGP 407	64	38	30	7.0	5.4	50	1.350
10mm x 4 run	PAGP 410	92	41	30,30	11	9	20	1.460
5mm x 5 run	PAGP 505	76	41	19,19	5.3	4.7	30	1.440
6mm x 5 run	PAGP 507	54	38	20	6.7	6.3	30	1.572
10mm x 5 run	PAGP 510	54	38	20	11.4	9.0	20	1.460



Polyamide Grip Supports (75PAGP Series)

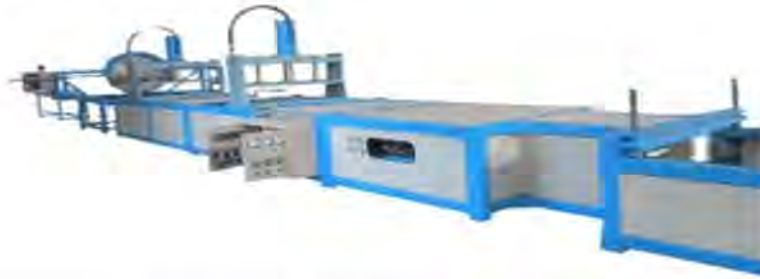
Busbar Details	POWERMAT Code	A	B	C	D	E	Std. Pkg. (Nos.)	Box Wt. (Kg.)
10mm x 1 run	75PAGP 110	50	26	30	10.6	-	50	-
12mm x 1 run	75PAGP 112	50	26	30	13.7	-	50	-
6mm x 2 run	75PAGP 207	50	26	30	7.0	5.8	50	-
10mm x 2 run	75PAGP 210	60	26	35	10.6	9.5	50	-
12mm x 2 run	75PAGP 212	60	26	35	13.7	11.0	50	-
6mm x 3 run	75PAGP 307	60	26	35	7.0	5.8	50	-
10mm x 3 run	75PAGP 310	75	26	35	10.3	9.7	50	1.500
6mm x 4 run	75PAGP 407	75	26	35	7.0	5.4	50	1.500
10mm x 4 run	75PAGP 410	95	26	35,35	10.6	9.5	50	-



75PAGP-310-V0

- Material : Polyamide / Nylon 6/6 (17% Glass Filled)
- All Dimensions are in MM
- Mounting Detail on Page No. 81
- For technical details of Busbar support & Insulator, please refer POWERMAT TECHNICAL NOTES - 02/18.
- For checking the suitability of a support & insulator for a fault current, please ask for POWERMAT FAULT LEVEL CALCULATOR Software.

Fiberglass Reinforced Polymers (FRP)



Fiberglass Reinforced Polymers (FRP)

Fiber-reinforced plastics (FRP), also known as fiber-reinforced polymers, are a category of composite plastics specifically using fiber materials to mechanically augment the elasticity and strength of the plastic. They consist of a polymer matrix – the original plastic which is usually tough but weak – which is blended with a reinforcing material to yield a final product with the desired material or mechanical properties.

The polymer matrix is developed via a step growth or addition polymerisation and is usually an epoxy, vinylester or polyester thermosetting plastic. FRP are chiefly created through molding processes, where a mold is used to place a fiber preform – containing balsalt, carbon, an aramid, or even glass - into the matrix. Occasionally asbestos, wood or paper can be incorporated instead.

After wetting and curing, the fibers and matrix take on the shape of the mold. The resulting structure has a greater mechanical strength and elasticity than the original plastic, toughened by the addition of the reinforcing fiber or filament, which plays a critical role in differentiating the parent polymer from the FRP.

Why FRP:-

- Corrosion Resistance

FRP is **corrosion resistant**, and the main reason for using fibre-glass-reinforced plastics (FRP) is that they are inherently corrosion resistance. Moreover, FRP is the only material that will handle a given service environment. Light in weight FRP is lesser in weight and has a low pressure to strength ratio and requires one-seventh in quantity as against steel half needed half in weight as aluminium.

- More Strength

Fibreglass reinforced plastic (FRP) has high strength in forming equipment for the various application be its use in missile or boat or bathtubs.

- Affordable

FRP is economic from the manufacturing point of view, and affordability is a crucial factor over other materials to be used.

- Flexibility

FRP material is flexible, and this quality makes favourite in choice over other content. Saves labour cost and easy installation. One more advantage of FRP is that it helps in cutting expenses on labour and installation.

- Fast Construction Speed

FRP helps in increasing the speed of construction of equipment and less time consuming from the industry's point of view.

- Durability

FRP is durable and has a long life than steel or aluminium and lasts longer and yet more productive service life and requires no replacement nor much maintenance.

- Electrically & Thermally non-conductive

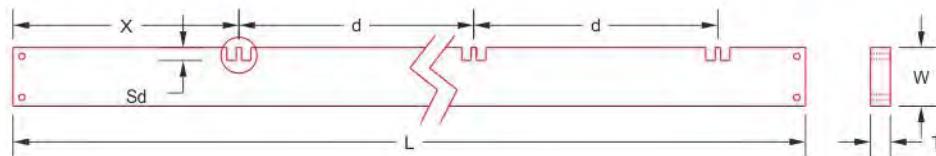
FRP is electrically non-conductive leading to increased safety compared to conductive materials (i.e., metal).

Material Data Sheet

Item	FRP Compound (UPR BASED)
Grade	PMUPR2037 / EP GC 31 FR Grade
Description	Highly automated continuous fibre laminating process producing high fibre volume profiles with a constant cross section.

Property	Units	Test Standard	Pultruded	
			Rod & Bar	Sheet
Glass Content	% by weight	..	70	60
Flexural Strength	kgf/cm ²	ASTM D790	7030	2100
Tensile Strength	kgf/cm ²	ASTM D638	7030	1400
Impact Strength	kJ/m	ASTM D256	2.62	0.961
Thermal Conductivity	Btu in/hr ft ² °F	..	5	4
Specific Heat	Btu/lb°F	..	0.24	0.28
Rockwell hardness	scale	ISO 868	80H	80H
Dielectric Strength	V/mm	ASTM D149	>400	>400
Specific Gravity	25°C	ASTM D792	2.1	1.6-1.7
Density	g/cm ³	..	1.99	1.61-1.69
Thermal Coefficient of Exp.	in./in. °F x 106)	..	3	5
Flame Class		UL-94	V-1 / V-0	V-1 / V-0
Color - Natural/Black				

Customized FRP Profiles of Busbar Supports



- **Busbar Size (B) :** Standard Sizes (6mm, 10mm & 12mm Busbar) & can be customized as per requirement.
- **No. of Runs per Phase :** Standard (1, 2, 3, 4, 5, 6) & can be customized as per requirement.
- **L - Support Length :** Standard (1 Meter or 2 Meter) & can be customized as per requirement.
- **d - Centre to Centre Phase distance :** Can be customized as per requirement
- **Sd - Depth of the Slot :** Standard (8mm, 10mm, 12mm & 15mm) & can be customized as per requirement



Part Code	Description
FRP 1030-L x n x B	FRP Flat 10mm Thickness x 30mm Width
FRP 1040-L x n x B	FRP Flat 10mm Thickness x 40mm Width
FRP 1050-L x n x B	FRP Flat 10mm Thickness x 50mm Width
FRP 1070-L x n x B	FRP Flat 10mm Thickness x 70mm Width
FRP 10100-L x n x B	FRP Flat 10mm Thickness x 100mm Width
FRP 2040-L x n x B	FRP Flat 20mm Thickness x 40mm Width
FRP 2050-L x n x B	FRP Flat 20mm Thickness x 50mm Width
FRP 2060-L x n x B	FRP Flat 20mm Thickness x 60mm Width
FRP 2626-L x n x B	FRP Flat 26mm Thickness x 26mm Width

Fiberglass Reinforced Polymers (FRP)

Fiberglass Reinforced Polymers (FRP) / Epoxy Pultruded Sections

FRP/Epoxy Solid Rod	POWERMAT CODE	Dia	Wt. (Kg./meter)	
	PROD 006	6.0	0.070	
	PROD 010	10.0	0.150	
	PROD 012	12.0	0.265	
	PROD 013	12.7	0.300	
	PROD 016	16.0	0.405	
	PROD 019	19.0	0.538	
	PROD 020	20.0	0.670	
	PROD 025	25.0	0.930	

FRP/Epoxy Tubes	POWERMAT CODE	ID	OD	Wt. (Kg./meter)
	EPT0410	4.5	9.5	0.135
	EPT0919	9.5	19.1	0.460
	PT 0610	6.5	10.0	0.100
	PT 0812	8.5	12.0	0.135
	PT 0813	8.5	12.7	0.130
	PT 1016	10.5	16.0	0.240
	PT 1219	12.5	19.0	0.305
	PT 1220	12.5	20.0	0.405
	PT 2025	19	25.0	0.450
	PT S2026	20	26 SQ	0.740
	PT 3238	31.75	38.1	0.660
	PT 3845	38.1	44.5	0.830

FRP/Epoxy Angles	POWERMAT CODE	A	B	Thk	Wt. (Kg./meter)
	PA353505	35	35	5	0.675
	PA404005	40	40	5	0.790
	PA505006	50	50	6	1.145
	PA755010	75	50	10	2.335

FRP/Epoxy Flat	POWERMAT CODE	W	T	Wt. (Kg./meter)
	PF03225	255	3	1.300
	PF1030	30	10	0.635
	PF1040	40	10	0.800
	PF1050	50	10	1.750
	PF1070	70	10	1.400
	PF10100	100	10	2.100
	PF2040	40	20	1.600
	PF2050	50	20	2.105
	PF2060	60	20	2.480
	PF2626	26	26	1.360
	PF3050	50	30	3.200

FRP/Epoxy Sheet	Thickness from 3MM / 4MM / 5MM / 6MM / 10MM are also available
-----------------	--

Current Transformer

In continuance with the objective of delivering Quality Components for Electric Control Panels, Distribution Boards and Bus Ducts, now We are pleased to announce our Range of **METERING, PROTECTIVE, SPECIAL CLASS X & INTER-POSING CURRENT TRANSFORMERS**. We have facility to manufacture Current Transformer in Resin Cast, Tape Wound & Molded Case with different Burden (1.25VA to 30VA or as Customized by Customer), Class Ratios (0.2, 0.5, 1, 3 & 5) & Insulation Class (A, B & F)

A **Current Transformer** is defined as "an instrument transformer in which the secondary current is substantially proportional to the primary current (under normal conditions of operation) and differs in phase from it by an angle which is approximately zero for an appropriate direction of the connections." This highlights the accuracy requirement of the current transformer but also important is the isolating function, which means no matter what the system voltage the secondary circuit need be insulated only for a low voltage.

The **Current Transformer** works on the principle of variable flux. In the "ideal" Current Transformer, secondary current would be exactly equal (when multiplied by the turn's ratio) and opposite of the primary current. But, as in **The Current Transformer**, some of the primary current or the primary ampere-turns are utilized for magnetizing the core, thus leaving less than the actual primary ampere turns to be "transformed" into the secondary ampere-turns. This naturally introduces an error in the transformation. The error is classified into two-the current or ratio error and the phase error.

Metering CTs are designed with smaller cores and VA capacities. This causes metering CTs to saturate at lower secondary voltages saving sensitive connected metering devices from damaging large fault currents in the event of a primary electrical fault

Class X CTs are special designed current transformers & are used in mainly in the Balanced Protection System.

Inter-Posing CTs which are interposed between the main current transformer & the burden (VA) so that secondary current of the main Current Transformer is adjusted as required by the Burden. It is also used to correct for phase displacement for differential protection of transformers.

We have Lab Facility in House to Routine Test (Accuracy Test, Dielectric Insulation Test) of our Current Transformer as per IEC - 61869-1 & 2 & IS - 2705-1992.

POWERMAT Current Transformer's Nomenclature

POWERMAT Current Transformers have been codified as per below details:

ABC***.**D-***/**(Text)

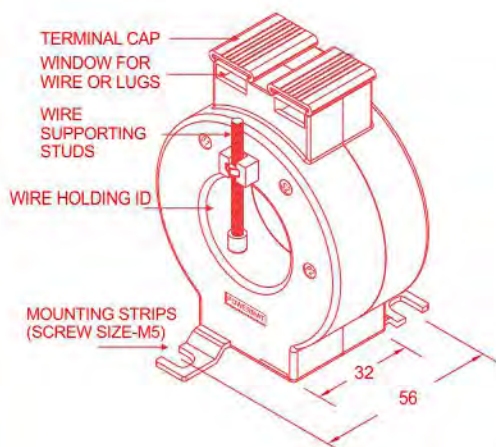
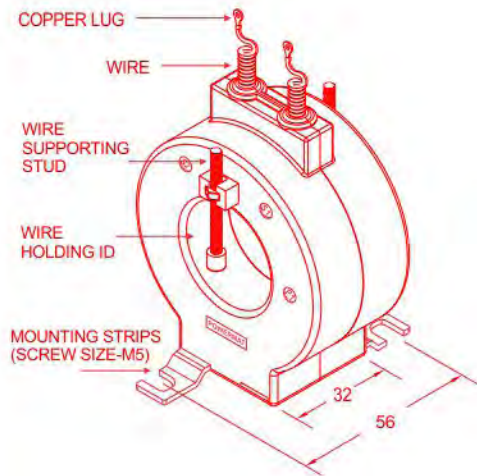
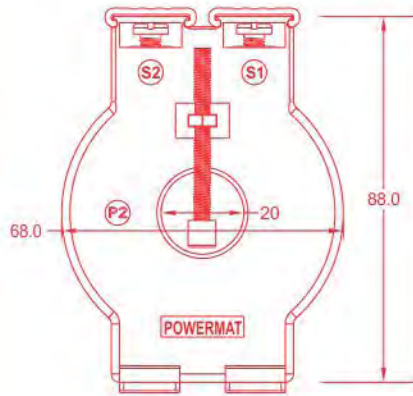
- A** → Type of CT (Metering/Protection/Special/Wound Primary)
- B** → Grade of CT (Tape Wound/Resin Cast/Nylon case)
- C** → Kind of output (Wire lead / Terminal)
- ***** → Ratio
- **** → Burden (VA load)
- D** → Accuracy Class
- ***/**** → Window Size (ID)
- (Text)** → Number of Turns in Primary



Abbreviations	
MTW	Metering Tape Wire
MTT	Metering Tape Terminal
MRW	Metering Resin Wire
MRT	Metering Resin Terminal
MTS	Metering Tape Square
MRS	Metering Resin Square
MNB	Metering Nylon Bound
PTT	Protection Tape Terminal
PTS	Protection Tape Square
PRT	Protection Resin Terminal
PRS	Protection Resin Square
PSC	Protection Special Class
WPL	Wound Primary Lead
RSC	Resin Special Class

Accuracy Class Codes	
A	Class 3
B	Class 1
C	Class 0.5
D	5P10
V	Knee - Voltage
E	Class 0.2
F	Class 0.1
G	5P20

Current Transformers Tape Wound



Ring Type Metering Current Transformers Tape Wound Secondary : 5A, ID : 20mm

Section : MTR 1.1

Accuracy Class : 1.0

Product Code	Ratio	Burden	Class	ID
WIRE TYPE				
MTW 30-5B-20-(4T)	25/5A	5	1.0	20
MTW 35-5B-20-(4T)	30/5A	5	1.0	20
MTW 45 -5B-20-(2T)	40/5A	5	1.0	20
MTW 55 -5B-20-(2T)	50/5A	5	1.0	20
MTW 65 -5B-20-(2T)	60/5A	5	1.0	20
MTW 85 -5B -20	80/5A	5	1.0	20
MTW 105 -5B-20	100/5A	5	1.0	20
MTW 130 -5B-20	125/5A	5	1.0	20
MTW 155 -5B-20	150/5A	5	1.0	20
TERMINAL TYPE				
MTT 30-5B-20-(4T)	25/5A	5	1.0	20
MTT 35-5B-20-(4T)	30/5A	5	1.0	20
MTT 45 -5B-20-(2T)	40/5A	5	1.0	20
MTT 55 -5B-20-(2T)	50/5A	5	1.0	20
MTT 65 -5B-20-(2T)	60/5A	5	1.0	20
MTT 85 -5B-20	80/5A	5	1.0	20
MTT 105 -5B-20	100/5A	5	1.0	20
MTT 130 -5B-20	125/5A	5	1.0	20
MTT 155 -5B-20	150/5A	5	1.0	20

Ring Type Metering Current Transformers Tape Wound Secondary : 1A, ID : 20mm

Section : MTR 1.2

Accuracy Class : 1.0

Product Code	Ratio	Burden	Class	ID
WIRE TYPE				
MTW 26-5B-20-(4T)	25/1A	5	1.0	20
MTW 31-5B-20-(4T)	30/1A	5	1.0	20
MTW 41 -5B-20-(2T)	40/1A	5	1.0	20
MTW 51 -5B-20-(2T)	50/1A	5	1.0	20
MTW 61 -5B-20-(2T)	60/1A	5	1.0	20
MTW 81 -5B -20	80/1A	5	1.0	20
MTW 101 -5B-20	100/1A	5	1.0	20
MTW 126 -5B-20	125/1A	5	1.0	20
MTW 151 -5B-20	150/1A	5	1.0	20
TERMINAL TYPE				
MTT 26-5B-20-(4T)	25/1A	5	1.0	20
MTT 31-5B-20-(4T)	30/1A	5	1.0	20
MTT 41 -5B-20-(2T)	40/1A	5	1.0	20
MTT 51 -5B-20-(2T)	50/1A	5	1.0	20
MTT 61 -5B-20-(2T)	60/1A	5	1.0	20
MTT 81 -5B-20	80/1A	5	1.0	20
MTT 101 -5B-20	100/1A	5	1.0	20
MTT 126 -5B-20	125/1A	5	1.0	20
MTT 151 -5B-20	150/1A	5	1.0	20

All Dimensions are in MM • Above Current Transformers are CE certified.
All above mentioned CT are also available in Class 0.5, Class 3, Class 5.
Please contact your local POWERMAT sales representative for more information.

POWERMAT.....

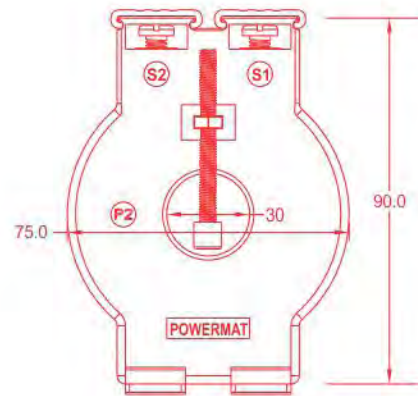
Current Transformers Tape Wound

Ring Type Metering Current Transformers Tape Wound Secondary : 5A, ID : 30mm

Section : MTR 2.1

Accuracy Class : 1.0

Product Code	Ratio	Burden	Class	ID																			
WIRE TYPE																							
MTW 30-5B-30-(4T)	25/5A	5	1.0	30																			
MTW 35-5B-30-(4T)	30/5A	5	1.0	30																			
MTW 45-5B-30-(2T)	40/5A	5	1.0	30																			
MTW 55-5B-30-(2T)	50/5A	5	1.0	30																			
MTW 65-5B-30-(2T)	60/5A	5	1.0	30																			
MTW 85-5B-30	80/5A	5	1.0	30																			
MTW 105-5B-30	100/5A	5	1.0	30																			
MTW 130-5B-30	125/5A	5	1.0	30																			
MTW 155-5B-30	150/5A	5	1.0	30																			
MTW 205-5B-30	200/5A	5	1.0	30																			
MTW 255-5B-30	250/5A	5	1.0	30																			
TERMINAL TYPE																							
MTT 30-5B-30-(4T)	25/5A	5	1.0	30																			
MTT 35-5B-30-(4T)	30/5A	5	1.0	30																			
MTT 45-5B-30-(2T)	40/5A	5	1.0	30																			
MTT 55-5B-30-(2T)	50/5A	5	1.0	30																			
MTT 65-5B-30-(2T)	60/5A	5	1.0	30																			
MTT 85-5B-30	80/5A	5	1.0	30																			
MTT 105-5B-30	100/5A	5	1.0 </tr <tr> <td>MTT 130-5B-30</td> <td>125/5A</td> <td>5</td> <td>1.0</td> <td>30</td> </tr> <tr> <td>MTT 155-5B-30</td> <td>150/5A</td> <td>5</td> <td>1.0</td> <td>30</td> </tr> <tr> <td>MTT 205-5B-30</td> <td>200/5A</td> <td>5</td> <td>1.0</td> <td>30</td> </tr> <tr> <td>MTT 255-5B-30</td> <td>250/5A</td> <td>5</td> <td>1.0</td> <td>30</td> </tr>	MTT 130-5B-30	125/5A	5	1.0	30	MTT 155-5B-30	150/5A	5	1.0	30	MTT 205-5B-30	200/5A	5	1.0	30	MTT 255-5B-30	250/5A	5	1.0	30
MTT 130-5B-30	125/5A	5	1.0	30																			
MTT 155-5B-30	150/5A	5	1.0	30																			
MTT 205-5B-30	200/5A	5	1.0	30																			
MTT 255-5B-30	250/5A	5	1.0	30																			

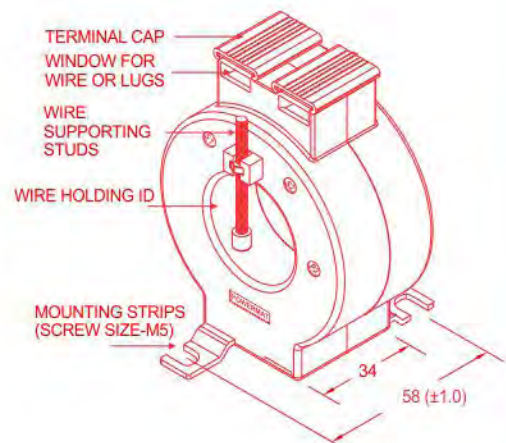
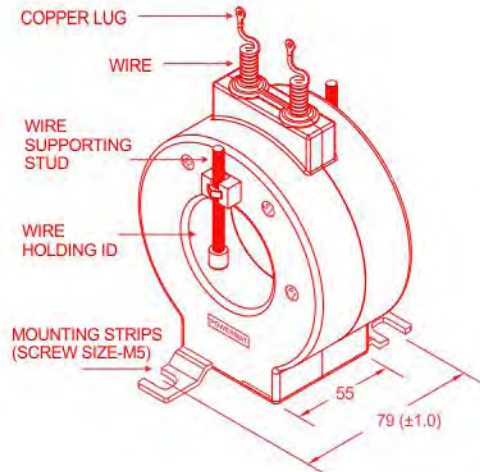


Ring Type Metering Current Transformers Tape Wound Secondary : 1A, ID : 30mm

Section : MTR 2.2

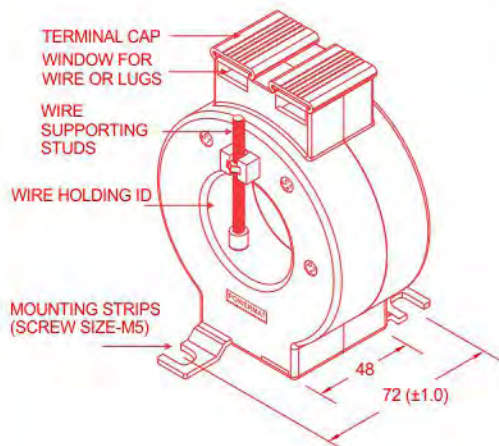
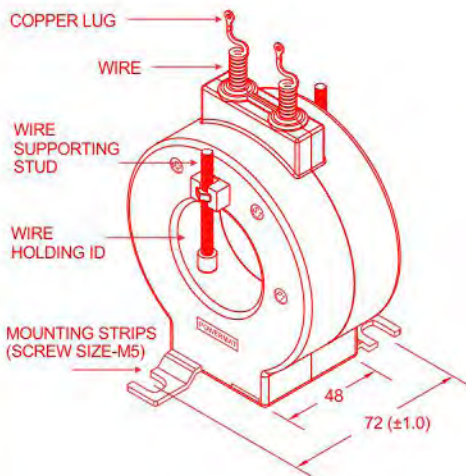
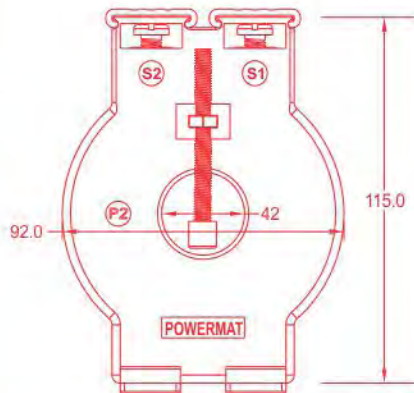
Accuracy Class : 1.0

Product Code	Ratio	Burden	Class	ID
WIRE TYPE				
MTW 26-5B-30-(4T)	25/1A	5	1.0	30
MTW 31-5B-30-(4T)	30/1A	5	1.0	30
MTW 41-5B-30-(2T)	40/1A	5	1.0	30
MTW 51-5B-30-(2T)	50/1A	5	1.0	30
MTW 61-5B-30-(2T)	60/1A	5	1.0	30
MTW 81-5B-30	80/1A	5	1.0	30
MTW 101-5B-30	100/1A	5	1.0	30
MTW 126-5B-30	125/1A	5	1.0	30
MTW 151-5B-30	150/1A	5	1.0	30
MTW 201-5B-30	200/1A	5	1.0	30
MTW 251-5B-30	250/1A	5	1.0	30
TERMINAL TYPE				
MTT 26-5B-30-(4T)	25/1A	5	1.0	30
MTT 31-5B-30-(4T)	30/1A	5	1.0	30
MTT 41-5B-30-(2T)	40/1A	5	1.0	30
MTT 51-5B-30-(2T)	50/1A	5	1.0	30
MTT 61-5B-30-(2T)	60/1A	5	1.0	30
MTT 81-5B-30	80/1A	5	1.0	30
MTT 101-5B-30	100/1A	5	1.0	30
MTT 126-5B-30	125/1A	5	1.0	30
MTT 151-5B-30	150/1A	5	1.0	30
MTT 201-5B-30	200/1A	5	1.0	30
MTT 251-5B-30	250/1A	5	1.0	30



All Dimensions are in MM • Above Current Transformers are **CE** certified.
All above mentioned CT are also available in Class 0.5, Class 3, Class 5.
Please contact your local POWERMAT sales representative for more information.

Current Transformers Tape Wound



Ring Type Metering Current Transformers Tape Wound Secondary : 5A, ID : 42mm

Section : MTR 3.1

Accuracy Class : 1.0

Product Code	Ratio	Burden	Class	ID
WIRE TYPE				
MTW 205 -5B-42	200/5A	5	1.0	42
MTW 205 -10B-42	200/5A	10	1.0	42
MTW 255 -5B-42	250/5A	5	1.0	42
MTW 255 -10B-42	250/5A	10	1.0	42
MTW 305 -5B-42	300/5A	5	1.0	42
MTW 305 -10B-42	300/5A	10	1.0	42
MTW 405 -5B-42	400/5A	5	1.0	42
MTW 405 -10B-42	400/5A	10	1.0	42

Product Code	Ratio	Burden	Class	ID
TERMINAL TYPE				
MTT 205 -5B-42	200/5A	5	1.0	42
MTT 205 -10B-42	200/5A	10	1.0	42
MTT 255 -5B-42	250/5A	5	1.0	42
MTT 255 -10B-42	250/5A	10	1.0	42
MTT 305 -5B-42	300/5A	5	1.0	42
MTT 305 -10B-42	300/5A	10	1.0	42
MTT 405 -5B-42	400/5A	5	1.0	42
MTT 405 -10B-42	400/5A	10	1.0	42

Ring Type Metering Current Transformers Tape Wound Secondary : 1A, ID : 42mm

Section : MTR 3.2

Accuracy Class : 1.0

Product Code	Ratio	Burden	Class	ID
WIRE TYPE				
MTW 201 -5B-42	200/1A	5	1.0	42
MTW 201 -10B-42	200/1A	10	1.0	42
MTW 251 -5B-42	250/1A	5	1.0	42
MTW 251 -10B-42	250/1A	10	1.0	42
MTW 301 -5B-42	300/1A	5	1.0	42
MTW 301 -10B-42	300/1A	10	1.0	42
MTW 401 -5B-42	400/1A	5	1.0	42
MTW 401 -10B-42	400/1A	10	1.0	42

Product Code	Ratio	Burden	Class	ID
TERMINAL TYPE				
MTT 201 -5B-42	200/1A	5	1.0	42
MTT 201 -10B-42	200/1A	10	1.0	42
MTT 251 -5B-42	250/1A	5	1.0	42
MTT 251 -10B-42	250/1A	10	1.0	42
MTT 301 -5B-42	300/1A	5	1.0	42
MTT 301 -10B-42	300/1A	10	1.0	42
MTT 401 -5B-42	400/1A	5	1.0	42
MTT 401 -10B-42	400/1A	10	1.0	42

All Dimensions are in MM • Above Current Transformers are **CE** certified.
All above mentioned CT are also available in Class 0.5, Class 3, Class 5.
Please contact your local POWERMAT sales representative for more information.

POWERMAT.....

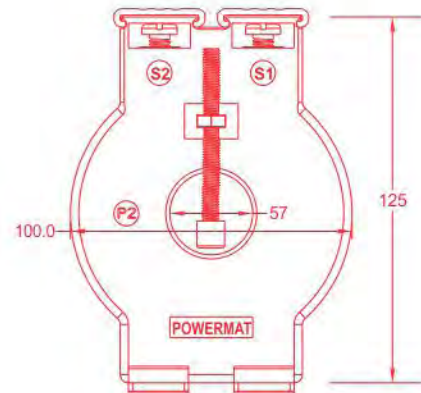
Current Transformers Tape Wound

Ring Type Metering Current Transformers Tape Wound Secondary : 5A, ID : 57mm

Section : MTR 4.1

Accuracy Class : 1.0

Product Code	Ratio	Burden	Class	ID
WIRE TYPE				
MTW 305 -5B-57	300/5A	5	1.0	57
MTW 305 -10B-57	300/5A	10	1.0	57
MTW 405 -5B-57	400/5A	5	1.0	57
MTW 405 -10B-57	400/5A	10	1.0	57
MTW 505 -5B-57	500/5A	5	1.0	57
MTW 505 -10B-57	500/5A	10	1.0	57
MTW 605 -10B-57	600/5A	10	1.0	57
MTW 605 -15B-57	600/5A	15	1.0	57
TERMINAL TYPE				
MTT 305 -5B-57	300/5A	5	1.0	57
MTT 305 -10B-57	300/5A	10	1.0	57
MTT 405 -5B-57	400/5A	5	1.0	57
MTT 405 -10B-57	400/5A	10	1.0	57
MTT 505 -5B-57	500/5A	5	1.0	57
MTT 505 -10B-57	500/5A	10	1.0	57
MTT 605 -10B-57	600/5A	10	1.0	57
MTT 605 -15B-57	600/5A	15	1.0	57

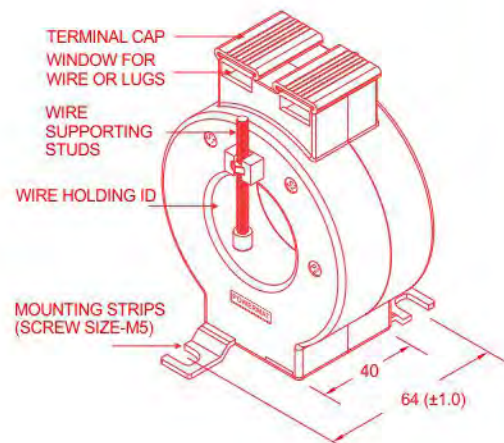
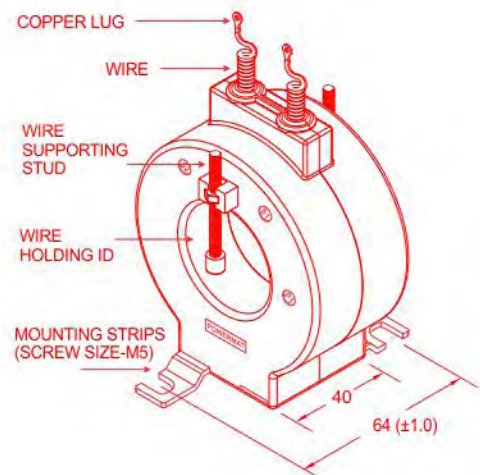


Ring Type Metering Current Transformers Tape Wound Secondary : 1A, ID : 57mm

Section : MTR 4.2

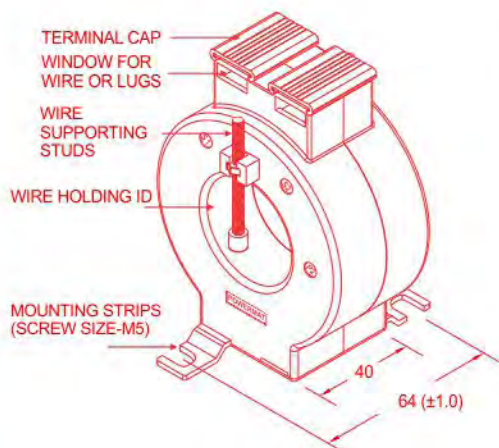
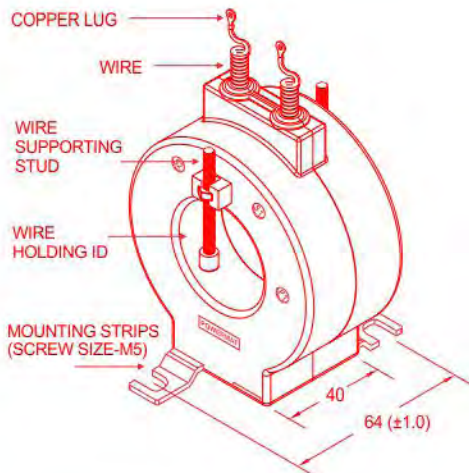
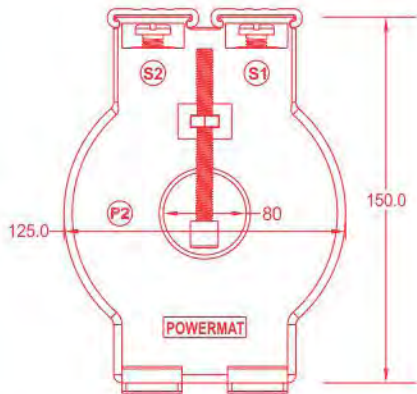
Accuracy Class : 1.0

Product Code	Ratio	Burden	Class	ID
WIRE TYPE				
MTW 301 -5B-57	300/1A	5	1.0	57
MTW 301 -10B-57	300/1A	10	1.0	57
MTW 401 -5B-57	400/1A	5	1.0	57
MTW 401 -10B-57	400/1A	10	1.0	57
MTW 501 -5B-57	500/1A	5	1.0	57
MTW 501 -10B-57	500/1A	10	1.0	57
MTW 601 -10B-57	600/1A	10	1.0	57
MTW 601 -15B-57	600/1A	15	1.0	57
TERMINAL TYPE				
MTT 301 -5B-57	300/1A	5	1.0	57
MTT 301 -10B-57	300/1A	10	1.0	57
MTT 401 -5B-57	400/1A	5	1.0	57
MTT 401 -10B-57	400/1A	10	1.0	57
MTT 501 -5B-57	500/1A	5	1.0	57
MTT 501 -10B-57	500/1A	10	1.0	57
MTT 601 -10B-57	600/1A	10	1.0	57
MTT 601 -15B-57	600/1A	15	1.0	57



All Dimensions are in MM • Above Current Transformers are **CE** certified.
All above mentioned CT are also available in Class 0.5, Class 3, Class 5.
Please contact your local POWERMAT sales representative for more information.

Current Transformers Tape Wound



Ring Type Metering Current Transformers Tape Wound Secondary : 5A, ID : 80mm

Section : MTR 5.1

Accuracy Class : 1.0

Product Code	Ratio	Burden	Class	ID
WIRE TYPE				
MTW 505 -5B-80	500/5A	5	1.0	80
MTW 505 -10B-80	500/5A	10	1.0	80
MTW 605 -5B-80	600/5A	5	1.0	80
MTW 605 -10B-80	600/5A	10	1.0	80
MTW 805 -10B-80	800/5A	10	1.0	80
MTW 805 -15B-80	800/5A	15	1.0	80
MTW 1005 -10B-80	1000/5A	10	1.0	80
MTW 1005 -15B-80	1000/5A	15	1.0	80
TERMINAL TYPE				
MTT 505 -5B-80	500/5A	5	1.0	80
MTT 505 -10B-80	500/5A	10	1.0	80
MTT 605 -5B-80	600/5A	5	1.0	80
MTT 605 -10B-80	600/5A	10	1.0	80
MTT 805 -10B-80	800/5A	10	1.0	80
MTT 805 -15B-80	800/5A	15	1.0	80
MTT 1005 -10B-80	1000/5A	10	1.0	80
MTT 1005 -15B-80	1000/5A	15	1.0	80

Ring Type Metering Current Transformers Tape Wound Secondary : 1A, ID : 80mm

Section : MTR 5.2

Accuracy Class : 1.0

Product Code	Ratio	Burden	Class	ID
WIRE TYPE				
MTW 501 -5B-80	500/1A	5	1.0	80
MTW 501 -10B-80	500/1A	10	1.0	80
MTW 601 -5B-80	600/1A	5	1.0	80
MTW 601 -10B-80	600/1A	10	1.0	80
MTW 801 -10B-80	800/1A	10	1.0	80
MTW 801 -15B-80	800/1A	15	1.0	80
MTW 1001 -10B-80	1000/1A	10	1.0	80
MTW 1001 -15B-80	1000/1A	15	1.0	80
TERMINAL TYPE				
MTT 501 -5B-80	500/1A	5	1.0	80
MTT 501 -10B-80	500/1A	10	1.0	80
MTT 601 -5B-80	600/1A	5	1.0	80
MTT 601 -10B-80	600/1A	10	1.0	80
MTT 801 -10B-80	800/1A	10	1.0	80
MTT 801 -15B-80	800/1A	15	1.0	80
MTT 1001 -10B-80	1000/1A	10	1.0	80
MTT 1001 -15B-80	1000/1A	15	1.0	80

All Dimensions are in MM • Above Current Transformers are **CE** certified.
All above mentioned CT are also available in Class 0.5, Class 3, Class 5.
Please contact your local POWERMAT sales representative for more information.

POWERMAT.....

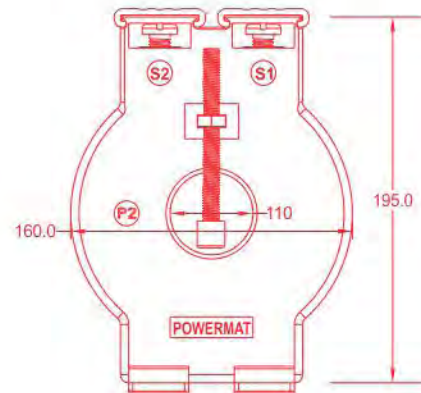
Current Transformers Tape Wound

Ring Type Metering Current Transformers Tape Wound Secondary : 5A, ID : 110mm

Section : MTR 6.1

Accuracy Class : 1.0

Product Code	Ratio	Burden	Class	ID
WIRE TYPE				
MTW 1205 -10B-110	1200/5A	10	1.0	110
MTW 1205 -15B-110	1200/5A	15	1.0	110
MTW 1605 -10B-110	1600/5A	10	1.0	110
MTW 1605 -15B-110	1600/5A	15	1.0	110
MTW 2005 -10B-110	2000/5A	10	1.0	110
MTW 2005 -15B-110	2000/5A	15	1.0	110
MTW 2505 -10B-110	2500/5A	10	1.0	110
MTW 2505 -15B-110	2500/5A	15	1.0	110
TERMINAL TYPE				
MTT 1205 -10B-110	1200/5A	10	1.0	110
MTT 1205 -15B-110	1200/5A	15	1.0	110
MTT 1605 -10B-110	1600/5A	10	1.0	110
MTT 1605 -15B-110	1600/5A	15	1.0	110
MTT 2005 -10B-110	2000/5A	10	1.0 </td <td>110</td>	110
MTT 2005 -15B-110	2000/5A	15	1.0	110
MTT 2505 -10B-110	2500/5A	10	1.0	110
MTT 2505 -15B-110	2500/5A	15	1.0	110

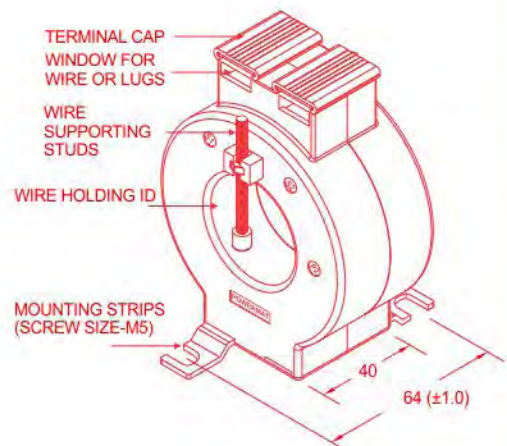
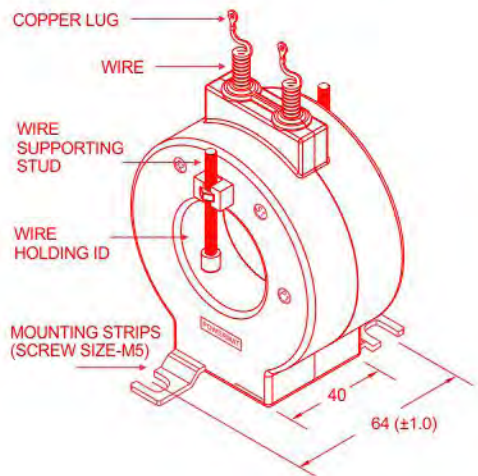


Ring Type Metering Current Transformers Tape Wound Secondary : 1A, ID : 110mm

Section : MTR 6.2

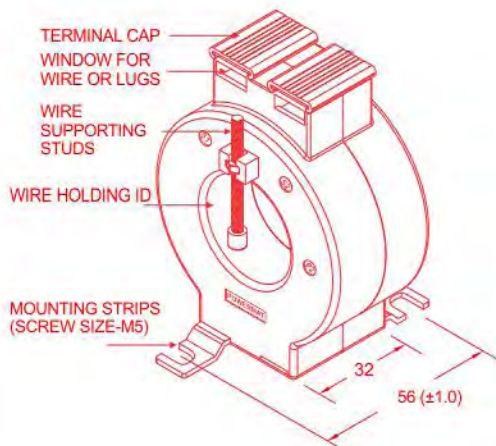
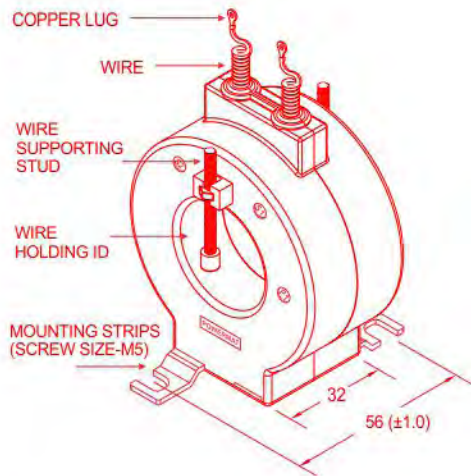
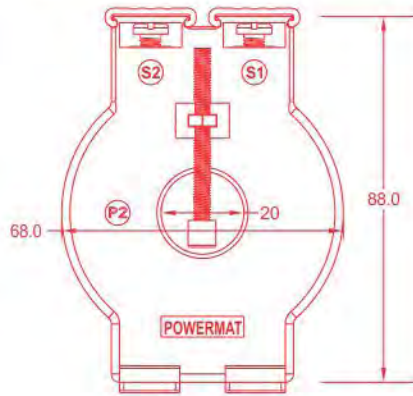
Accuracy Class : 1.0

Product Code	Ratio	Burden	Class	ID
WIRE TYPE				
MTW 1201 -10B-110	1200/1A	10	1.0	110
MTW 1201 -15B-110	1200/1A	15	1.0	110
MTW 1601 -10B-110	1600/1A	10	1.0	110
MTW 1601 -15B-110	1600/1A	15	1.0	110
MTW 2001 -10B-110	2000/1A	10	1.0	110
MTW 2001 -15B-110	2000/1A	15	1.0	110
MTW 2501 -10B-110	2500/1A	10	1.0	110
MTW 2501 -15B-110	2500/1A	15	1.0	110
TERMINAL TYPE				
MTT 1201 -10B-110	1200/1A	10	1.0	110
MTT 1201 -15B-110	1200/1A	15	1.0	110
MTT 1601 -10B-110	1600/1A	10	1.0	110
MTT 1601 -15B-110	1600/1A	15	1.0	110
MTT 2001 -10B-110	2000/1A	10	1.0	110
MTT 2001 -15B-110	2000/1A	15	1.0	110
MTT 2501 -10B-110	2500/1A	10	1.0	110
MTT 2501 -15B-110	2500/1A	15	1.0	110



All Dimensions are in MM • Above Current Transformers are **CE** certified.
All above mentioned CT are also available in Class 0.5, Class 3, Class 5.
Please contact your local POWERMAT sales representative for more information.

Current Transformers Resin Cast



Ring Type Metering Current Transformers Resin Cast Secondary : 5A, ID : 20mm

Section : MTR 1.1

Accuracy Class : 1.0

Product Code	Ratio	Burden	Class	ID
RESIN CAST WIRE				
MRW 30-5B-20-(4T)	25/5A	5	1.0	20
MRW 35-5B-20-(4T)	30/5A	5	1.0	20
MRW 45-5B-20-2T	40/5A	5	1.0	20
MRW 55-5B-20-2T	50/5A	5	1.0	20
MRW 65-5B-20-2T	60/5A	5	1.0	20
MRW 85-5B-20	80/5A	5	1.0	20
MRW 105-5B-20	100/5A	5	1.0	20
MRW 130-5B-20	125/5A	5	1.0	20
MRW 155-5B-20	150/5A	5	1.0	20
RESIN CAST TERMINAL				
MRT 30-5B-20-(4T)	25/5A	5	1.0	20
MRT 35-5B-20-(4T)	30/5A	5	1.0	20
MRT 45-5B-20-2T	40/5A	5	1.0	20
MRT 55-5B-20-2T	50/5A	5	1.0	20
MRT 65-5B-20-2T	60/5A	5	1.0	20
MRT 85-5B-20	80/5A	5	1.0	20
MRT 105-5B-20	100/5A	5	1.0	20
MRT 130-5B-20	125/5A	5	1.0	20
MRT 155-5B-20	150/5A	5	1.0	20

Ring Type Metering Current Transformers Resin Cast Secondary : 1A, ID : 20mm

Section : MTR 1.2

Accuracy Class : 1.0

Product Code	Ratio	Burden	Class	ID
RESIN CAST WIRE				
MRW 26-5B-20-(4T)	25/1A	5	1.0	20
MRW 31-5B-20-(4T)	30/1A	5	1.0	20
MRW 41-5B-20-2T	40/1A	5	1.0	20
MRW 51-5B-20-2T	50/1A	5	1.0	20
MRW 61-5B-20-2T	60/1A	5	1.0	20
MRW 81-5B-20	80/1A	5	1.0	20
MRW 101-5B-20	100/1A	5	1.0	20
MRW 126-5B-20	125/1A	5	1.0	20
MRW 151-5B-20	150/1A	5	1.0	20
RESIN CAST TERMINAL				
MRT 26-5B-20-(4T)	25/1A	5	1.0	20
MRT 31-5B-20-(4T)	30/1A	5	1.0	20
MRT 41-5B-20-2T	40/1A	5	1.0	20
MRT 51-5B-20-2T	50/1A	5	1.0	20
MRT 61-5B-20-2T	60/1A	5	1.0	20
MRT 81-5B-20	80/1A	5	1.0	20
MRT 101-5B-20	100/1A	5	1.0	20
MRT 126-5B-20	125/1A	5	1.0	20
MRT 151-5B-20	150/1A	5	1.0	20

All Dimensions are in MM • Above Current Transformers are CE certified.
All above mentioned CT are also available in Class 0.5, Class 3, Class 5.
Please contact your local POWERMAT sales representative for more information.

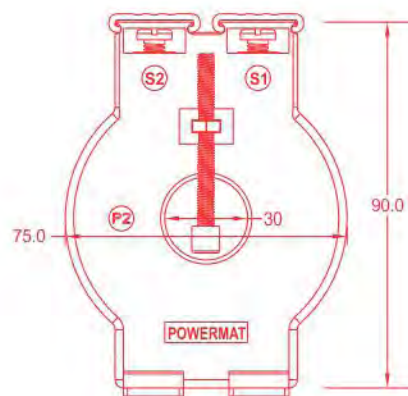
POWERMAT.....

**Ring Type Metering Current Transformers Resin Cast
Secondary : 5A, ID : 30mm**

Section : MTR 2.1

Accuracy Class : 1.0

Product Code	Ratio	Burden	Class	ID
RESIN CAST WIRE				
MRW 30-5B-30-(4T)	25/5A	5	1.0	30
MRW 35-5B-30-(4T)	30/5A	5	1.0	30
MRW 45-5B-30-(2T)	40/5A	5	1.0	30
MRW 55-5B-30-(2T)	50/5A	5	1.0	30
MRW 65-5B-30-(2T)	60/5A	5	1.0	30
MRW 85-5B-30	80/5A	5	1.0	30
MRW 105-5B-30	100/5A	5	1.0	30
MRW 130-5B-30	125/5A	5	1.0	30
MRW 155-5B-30	150/5A	5	1.0	30
MRW 205-5B-30	200/5A	5	1.0	30
MRW 255-5B-30	250/5A	5	1.0	30
RESIN CAST TERMINAL				
MRT 30-5B-30-(4T)	25/5A	5	1.0	30
MRT 35-5B-30-(4T)	30/5A	5	1.0	30
MRT 45-5B-30-(2T)	40/5A	5	1.0	30
MRT 55-5B-30-(2T)	50/5A	5	1.0	30
MRT 65-5B-30-(2T)	60/5A	5	1.0	30
MRT 85-5B-30	80/5A	5	1.0	30
MRT 105-5B-30	100/5A	5	1.0	30
MRT 130-5B-30	125/5A	5	1.0	30
MRT 155-5B-30	150/5A	5	1.0	30
MRT 205-5B-30	200/5A	5	1.0	30
MRT 255-5B-30	250/5A	5	1.0	30

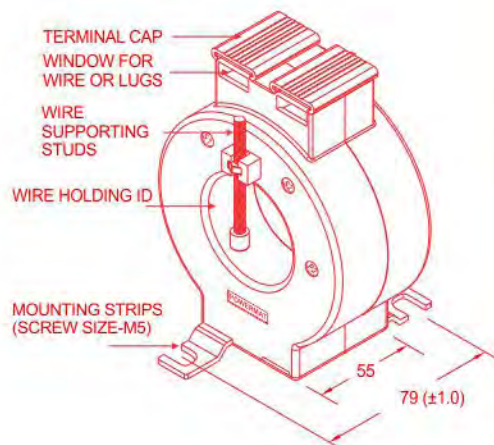
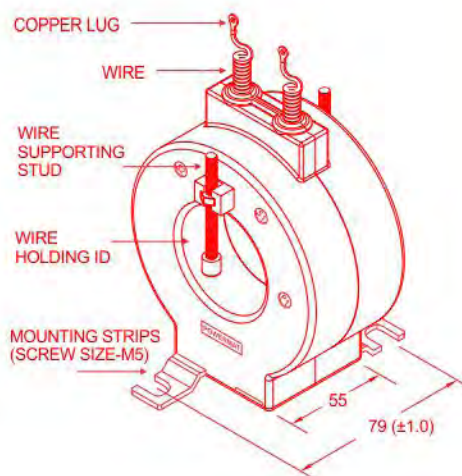


**Ring Type Metering Current Transformers Resin Cast
Secondary : 1A, ID : 30mm**

Section : MTR 2.2

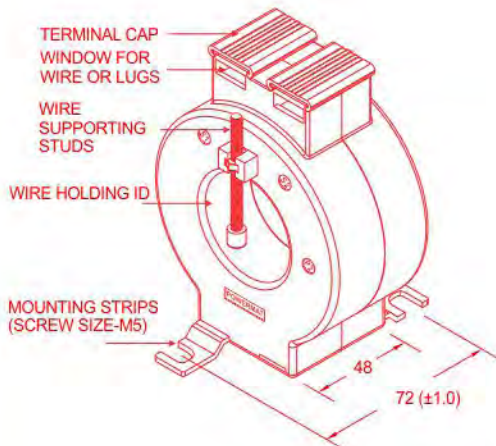
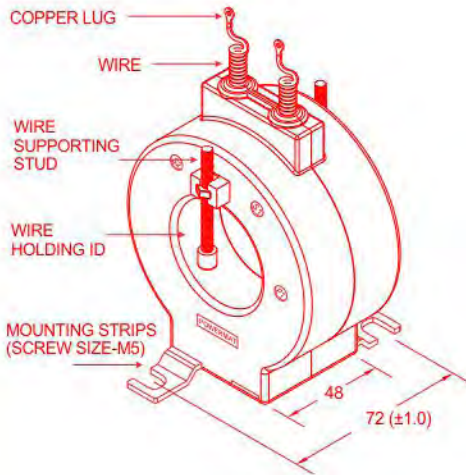
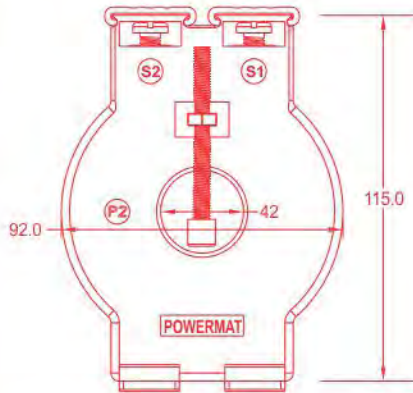
Accuracy Class : 1.0

Product Code	Ratio	Burden	Class	ID
RESIN CAST WIRE				
MRW 26-5B-30-(4T)	25/1A	5	1.0	30
MRW 31-5B-30-(4T)	30/1A	5	1.0	30
MRW 41-5B-30-(2T)	40/1A	5	1.0	30
MRW 51-5B-30-(2T)	50/1A	5	1.0	30
MRW 61-5B-30-(2T)	60/1A	5	1.0	30
MRW 81-5B-30	80/1A	5	1.0	30
MRW 101-5B-30	100/1A	5	1.0	30
MRW 126-5B-30	125/1A	5	1.0	30
MRW 151-5B-30	150/1A	5	1.0	30
MRW 201-5B-30	200/1A	5	1.0	30
MRW 251-5B-30	250/1A	5	1.0	30
RESIN CAST TERMINAL				
MRT 26-5B-30-(4T)	25/1A	5	1.0	30
MRT 31-5B-30-(4T)	30/1A	5	1.0	30
MRT 41-5B-30-(2T)	40/1A	5	1.0	30
MRT 51-5B-30-(2T)	50/1A	5	1.0	30
MRT 61-5B-30-(2T)	60/1A	5	1.0	30
MRT 81-5B-30	80/1A	5	1.0	30
MRT 101-5B-30	100/1A	5	1.0	30
MRT 126-5B-30	125/1A	5	1.0	30
MRT 151-5B-30	150/1A	5	1.0	30
MRT 201-5B-30	200/1A	5	1.0	30
MRT 251-5B-30	250/1A	5	1.0	30



All Dimensions are in MM • Above Current Transformers are **CE** certified.
All above mentioned CT are also available in Class 0.5, Class 3, Class 5.
Please contact your local POWERMAT sales representative for more information.

Current Transformers Resin Cast



Ring Type Metering Current Transformers Resin Cast Secondary : 5A, ID : 42mm

Section : MTR 3.1

Accuracy Class : 1.0

Product Code	Ratio	Burden	Class	ID
RESIN CAST WIRE				
MRW 205 -5B-42	200/5A	5	1.0	42
MRW 205 -10B-42	200/5A	10	1.0	42
MRW 255 -5B-42	250/5A	5	1.0	42
MRW 255 -10B-42	250/5A	10	1.0	42
MRW 305 -5B-42	300/5A	5	1.0	42
MRW 305 -10B-42	300/5A	10	1.0	42
MTR 405 -5B-42	400/5A	5	1.0	42
MRW 405 -10B-42	400/5A	10	1.0	42

Product Code	Ratio	Burden	Class	ID
RESIN CAST TERMINAL				
MRT 205 -5B-42	200/5A	5	1.0	42
MRT 205 -10B-42	200/5A	10	1.0	42
MRT 255 -5B-42	250/5A	5	1.0	42
MRT 255 -10B-42	250/5A	10	1.0	42
MRT 305 -5B-42	300/5A	5	1.0	42
MRT 305 -10B-42	300/5A	10	1.0	42
MTT 405 -5B-42	400/5A	5	1.0	42
MRT 405 -10B-42	400/5A	10	1.0	42

Ring Type Metering Current Transformers Resin Cast Secondary : 1A, ID : 42mm

Section : MTR 3.2

Accuracy Class : 1.0

Product Code	Ratio	Burden	Class	ID
RESIN CAST WIRE				
MRW 201 -5B-42	200/1A	5	1.0	42
MRW 201 -10B-42	200/1A	10	1.0	42
MRW 251 -5B-42	250/1A	5	1.0	42
MRW 251 -10B-42	250/1A	10	1.0	42
MRW 301 -5B-42	300/1A	5	1.0	42
MRW 301 -10B-42	300/1A	10	1.0	42
MRW 401 -5B-42	400/1A	5	1.0	42
MRW 401 -10B-42	400/1A	10	1.0	42

Product Code	Ratio	Burden	Class	ID
RESIN CAST TERMINAL				
MRT 201 -5B-42	200/1A	5	1.0	42
MRT 201 -10B-42	200/1A	10	1.0	42
MRT 251 -5B-42	250/1A	5	1.0	42
MRT 251 -10B-42	250/1A	10	1.0	42
MRT 301 -5B-42	300/1A	5	1.0	42
MRT 301 -10B-42	300/1A	10	1.0	42
MRT 401 -5B-42	400/1A	5	1.0	42
MRT 401 -10B-42	400/1A	10	1.0	42

All Dimensions are in MM • Above Current Transformers are **CE** certified.
All above mentioned CT are also available in Class 0.5, Class 3, Class 5.
Please contact your local POWERMAT sales representative for more information.

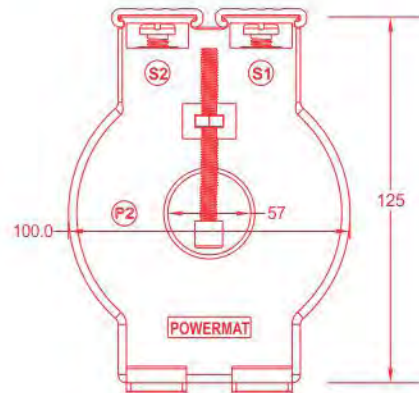
POWERMAT.....

**Ring Type Metering Current Transformers Resin Cast
Secondary : 5A, ID : 57mm**

Section : MTR 4.1

Accuracy Class : 1.0

Product Code	Ratio	Burden	Class	ID
RESIN CAST WIRE				
MRW 305 -5B-57	300/5A	5	1.0	57
MRW 305 -10B-57	300/5A	10	1.0	57
MRW 405 -5B-57	400/5A	5	1.0	57
MRW 405 -10B-57	400/5A	10	1.0	57
MRW 505 -5B-57	500/5A	5	1.0	57
MRW 505 -10B-57	500/5A	10	1.0	57
MRW 605 -10B-57	600/5A	10	1.0	57
MRW 605 -15B-57	600/5A	15	1.0	57
RESIN CAST TERMINAL				
MRT 305 -5B-57	300/5A	5	1.0	57
MRT 305 -10B-57	300/5A	10	1.0	57
MRT 405 -5B-57	400/5A	5	1.0	57
MRT 405 -10B-57	400/5A	10	1.0	57
MRT 505 -5B-57	500/5A	5	1.0	57
MRT 505 -10B-57	500/5A	10	1.0	57
MRT 605 -10B-57	600/5A	10	1.0	57
MRT 605 -15B-57	600/5A	15	1.0	57

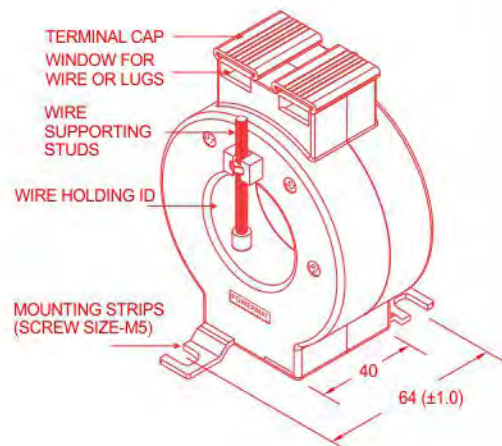
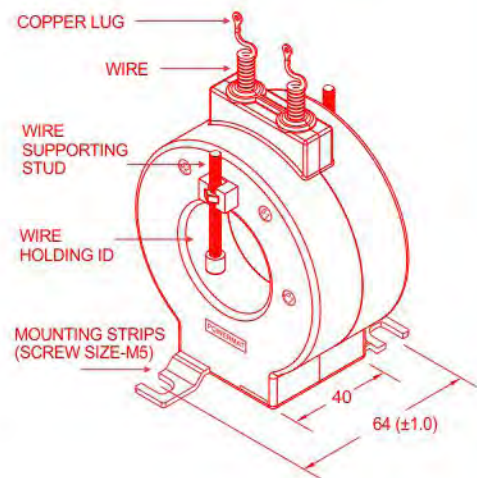


**Ring Type Metering Current Transformers Resin Cast
Secondary : 1A, ID : 57mm**

Section : MTR 4.2

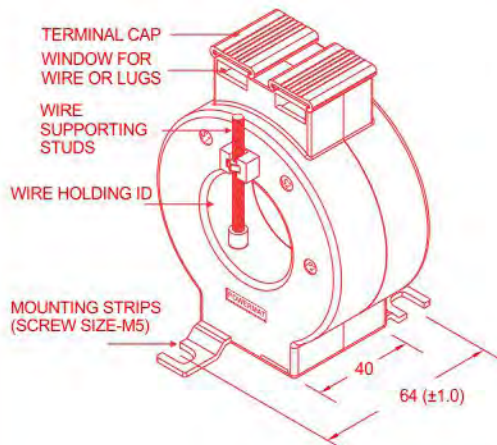
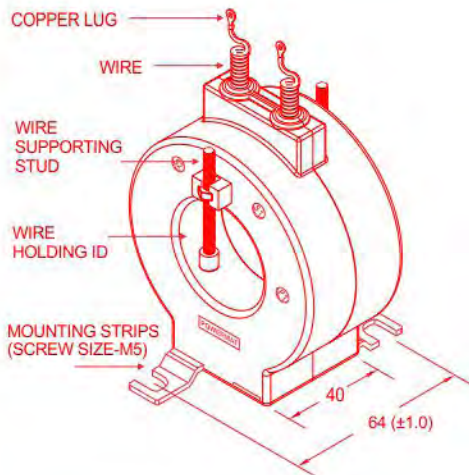
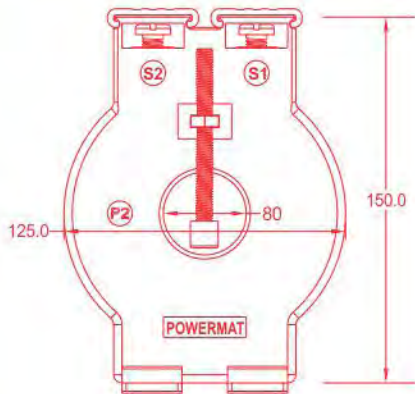
Accuracy Class : 1.0

Product Code	Ratio	Burden	Class	ID
RESIN CAST WIRE				
MRW 301 -5B-57	300/1A	5	1.0	57
MRW 301 -10B-57	300/1A	10	1.0	57
MRW 401 -5B-57	400/1A	5	1.0	57
MRW 401 -10B-57	400/1A	10	1.0	57
MRW 501 -5B-57	500/1A	5	1.0	57
MRW 501 -10B-57	500/1A	10	1.0	57
MRW 601 -10B-57	600/1A	10	1.0	57
MRW 601 -15B-57	600/1A	15	1.0	57
RESIN CAST TERMINAL				
MRT 301 -5B-57	300/1A	5	1.0	57
MRT 301 -10B-57	300/1A	10	1.0	57
MRT 401 -5B-57	400/1A	5	1.0	57
MRT 401 -10B-57	400/1A	10	1.0	57
MRT 501 -5B-57	500/1A	5	1.0	57
MRT 501 -10B-57	500/1A	10	1.0	57
MRT 601 -10B-57	600/1A	10	1.0	57
MRT 601 -15B-57	600/1A	15	1.0	57



All Dimensions are in MM • Above Current Transformers are **CE** certified.
All above mentioned CT are also available in Class 0.5, Class 3, Class 5.
Please contact your local POWERMAT sales representative for more information.

Current Transformers Resin Cast



Ring Type Metering Current Transformers Resin Cast Secondary : 5A, ID : 80mm

Section : MTR 5.1

Accuracy Class : 1.0

Product Code	Ratio	Burden	Class	ID
RESIN CAST WIRE				
MRW 505 -5B-80	500/5A	5	1.0	80
MRW 505 -10B-80	500/5A	10	1.0	80
MRW 605 -5B-80	600/5A	5	1.0	80
MRW 605 -10B-80	600/5A	10	1.0	80
MRW 805 -10B-80	800/5A	10	1.0	80
MRW 805 -15B-80	800/5A	15	1.0	80
MRW 1005 -10B-80	1000/5A	10	1.0	80
MRW 1005 -15B-80	1000/5A	15	1.0	80
RESIN CAST TERMINAL				
MRT 505 -5B-80	500/5A	5	1.0	80
MRT 505 -10B-80	500/5A	10	1.0	80
MRT 605 -5B-80	600/5A	5	1.0	80
MRT 605 -10B-80	600/5A	10	1.0	80
MRT 805 -10B-80	800/5A	10	1.0	80
MRT 805 -15B-80	800/5A	15	1.0	80
MRT 1005 -10B-80	1000/5A	10	1.0	80
MRT 1005 -15B-80	1000/5A	15	1.0	80

Ring Type Metering Current Transformers Resin Cast Secondary : 1A, ID : 80mm

Section : MTR 5.2

Accuracy Class : 1.0

Product Code	Ratio	Burden	Class	ID
RESIN CAST WIRE				
MRW 501 -5B-80	500/1A	5	1.0	80
MRW 501 -10B-80	500/1A	10	1.0	80
MRW 601 -5B-80	600/1A	5	1.0	80
MRW 601 -10B-80	600/1A	10	1.0	80
MRW 801 -10B-80	800/1A	10	1.0	80
MRW 801 -15B-80	800/1A	15	1.0	80
MRW 1001 -10B-80	1000/1A	10	1.0	80
MRW 1001 -15B-80	1000/1A	15	1.0	80
RESIN CAST TERMINAL				
MRT 501 -5B-80	500/1A	5	1.0	80
MRT 501 -10B-80	500/1A	10	1.0	80
MRT 601 -5B-80	600/1A	5	1.0	80
MRT 601 -10B-80	600/1A	10	1.0	80
MRT 801 -10B-80	800/1A	10	1.0	80
MRT 801 -15B-80	800/1A	15	1.0	80
MRT 1001 -10B-80	1000/1A	10	1.0	80
MRT 1001 -15B-80	1000/1A	15	1.0	80

All Dimensions are in MM • Above Current Transformers are **CE** certified.
All above mentioned CT are also available in Class 0.5, Class 3, Class 5.
Please contact your local POWERMAT sales representative for more information.

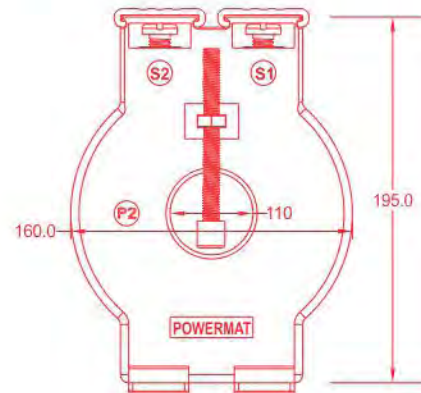
POWERMAT.....

**Ring Type Metering Current Transformers Resin Cast
Secondary : 5A, ID : 110mm**

Section : MTR 6.1

Accuracy Class : 1.0

Product Code	Ratio	Burden	Class	ID
RESIN CAST WIRE				
MRW 1205 -10B-110	1200/5A	10	1.0	110
MRW 1205 -15B-110	1200/5A	15	1.0	110
MRW 1605 -10B-110	1600/5A	10	1.0	110
MRW 1605 -15B-110	1600/5A	15	1.0	110
MRW 2005 -10B-110	2000/5A	10	1.0	110
MRW 2005 -15B-110	2000/5A	15	1.0	110
MRW 2505 -10B-110	2500/5A	10	1.0	110
MRW 2505 -15B-110	2500/5A	15	1.0	110
RESIN CAST TERMINAL				
MRT 1205 -10B-110	1200/5A	10	1.0	110
MRT 1205 -15B-110	1200/5A	15	1.0	110
MRT 1605 -10B-110	1600/5A	10	1.0	110
MRT 1605 -15B-110	1600/5A	15	1.0	110
MRT 2005 -10B-110	2000/5A	10	1.0 <td 110	
MRT 2005 -15B-110	2000/5A	15	1.0	110
MRT 2505 -10B-110	2500/5A	10	1.0	110
MRT 2505 -15B-110	2500/5A	15	1.0	110

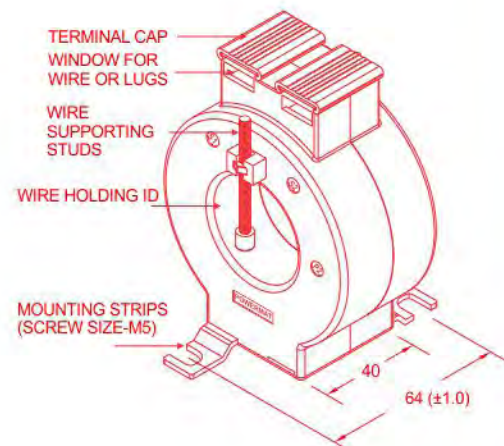
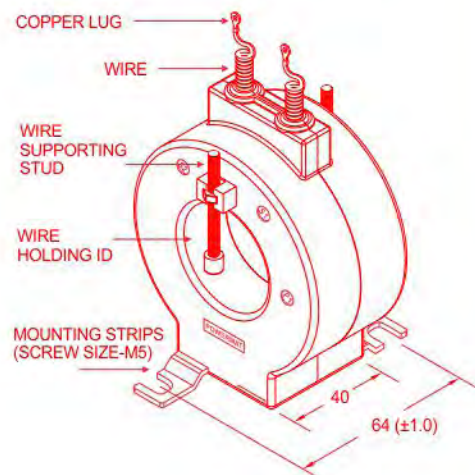


**Ring Type Metering Current Transformers Resin Cast
Secondary : 1A, ID : 110mm**

Section : MTR 6.2

Accuracy Class : 1.0

Product Code	Ratio	Burden	Class	ID
RESIN CAST WIRE				
MRW 1201 -10B-110	1200/1A	10	1.0	110
MRW 1201 -15B-110	1200/1A	15	1.0	110
MRW 1601 -10B-110	1600/1A	10	1.0	110
MRW 1601 -15B-110	1600/1A	15	1.0	110
MRW 2001 -10B-110	2000/1A	10	1.0	110
MRW 2001 -15B-110	2000/1A	15	1.0	110
MRW 2501 -10B-110	2500/1A	10	1.0	110
MRW 2501 -15B-110	2500/1A	15	1.0	110
RESIN CAST TERMINAL				
MRT 1201 -10B-110	1200/1A	10	1.0	110
MRT 1201 -15B-110	1200/1A	15	1.0	110
MRT 1601 -10B-110	1600/1A	10	1.0	110
MRT 1601 -15B-110	1600/1A	15	1.0	110
MRT 2001 -10B-110	2000/1A	10	1.0	110
MRT 2001 -15B-110	2000/1A	15	1.0	110
MRT 2501 -10B-110	2500/1A	10	1.0	110
MRT 2501 -15B-110	2500/1A	15	1.0	110



All Dimensions are in MM • Above Current Transformers are **CE** certified.
All above mentioned CT are also available in Class 0.5, Class 3, Class 5.
Please contact your local POWERMAT sales representative for more information.

Current Transformers



Rectangular Type Metering Current Transformers Secondary : 5A, ID : 60/25mm

Section : RC 1.1

Accuracy Class : 1.0

Product Code	Ratio	Burden	Class	ID
TERMINAL TYPE				
MTS 205 -5B-60/25	200/5A	5	1.0	60/25
MTS 205 -10B-60/25	200/5A	10	1.0	60/25
MTS 255 -5B-60/25	250/5A	5	1.0	60/25
MTS 255 -10B-60/25	250/5A	10	1.0	60/25
MTS 305 -5B-60/25	300/5A	5	1.0	60/25
MTS 305 -10B-60/25	300/5A	10	1.0	60/25
MTS 405 -10B-60/25	400/5A	10	1.0	60/25
MTS 505-10B-60/25	500/5A	10	1.0	60/25

Rectangular Type Metering Current Transformers Secondary : 1A, ID : 60/25mm

Section : RC 1.2

Accuracy Class : 1.0

Product Code	Ratio	Burden	Class	ID
TERMINAL TYPE				
MTS 201 -5B-60/25	200/1A	5	1.0	60/25
MTS 201 -10B-60/25	200/1A	10	1.0	60/25
MTS 251 -5B-60/25	250/1A	5	1.0	60/25
MTS 251 -10B-60/25	250/1A	10	1.0	60/25
MTS 301 -5B-60/25	300/1A	5	1.0	60/25
MTS 301 -10B-60/25	300/1A	10	1.0	60/25
MTS 401 -10B-60/25	400/1A	10	1.0	60/25
MTS 501-10B-60/25	500/1A	10	1.0	60/25

Rectangular Type Metering Current Transformers Secondary : 5A, ID : 105/35mm

Section : RC 2.1

Accuracy Class : 1.0

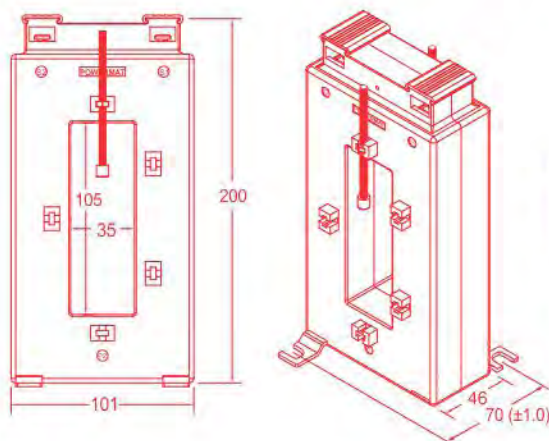
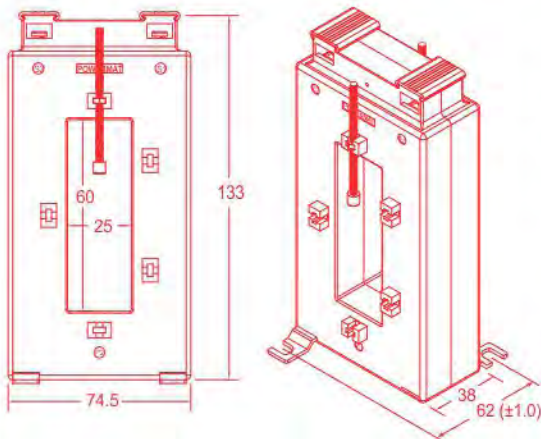
Product Code	Ratio	Burden	Class	ID
TERMINAL TYPE				
MTS 505-10B-105/35	500/5A	10	1.0	105/35
MTS 605-10B-105/35	600/5A	10	1.0	105/35
MTS 805-10B-105/35	800/5A	10	1.0	105/35
MTS 805-15B-105/35	800/5A	15	1.0	105/35
MTS 1005-10B-105/35	1000/5A	10	1.0	105/35
MTS 1005-15B-105/35	1000/5A	15	1.0	105/35
MTS 1205-15B-105/35	1200/5A	15	1.0	105/35
MTS 1505-15B-105/35	1500/5A	15	1.0	105/35

Rectangular Type Metering Current Transformers Secondary : 1A, ID : 105/35mm

Section : RC 2.2

Accuracy Class : 1.0

Product Code	Ratio	Burden	Class	ID
TERMINAL TYPE				
MTS 501-10B-105/35	500/1A	10	1.0	105/35
MTS 601-10B-105/35	600/1A	10	1.0	105/35
MTS 801-10B-105/35	800/1A	10	1.0	105/35
MTS 801-15B-105/35	800/1A	15	1.0	105/35
MTS 1001-10B-105/35	1000/1A	10	1.0	105/35
MTS 1001-15B-105/35	1000/1A	15	1.0	105/35
MTS 1201-15B-105/35	1200/1A	15	1.0	105/35
MTS 1501-15B-105/35	1500/1A	15	1.0	105/35



All Dimensions are in MM • Above Current Transformers are **CE** certified.
All above mentioned CT are also available in Class 0.5, Class 3, Class 5.
Please contact your local POWERMAT sales representative for more information.

POWERMAT.....

Rectangular Type Metering Current Transformers
Secondary : 5A, ID : 155/50mm

Section : RC 3.1 Accuracy Class : 1.0

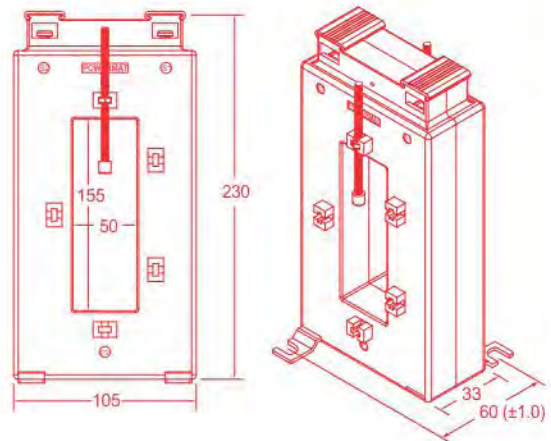
Product Code	Ratio	Burden	Class	ID
TERMINAL TYPE				
MTS 1505-15B-155/50	1500/5A	15	1.0	155/50
MTS 1605-15B-155/50	1600/5A	15	1.0	155/50
MTS 2005-15B-155/50	2000/5A	15	1.0	155/50
MTS 2505-15B-155/50	2500/5A	15	1.0	155/50
MTS 3005-15B-155/50	3000/5A	15	1.0	155/50
MTS 3205-15B-155/50	3200/5A	15	1.0	155/50
MTS 4005-15B-155/50	4000/5A	15	1.0	155/50



Rectangular Type Metering Current Transformers
Secondary : 1A, ID : 155/50mm

Section : RC 3.2 Accuracy Class : 1.0

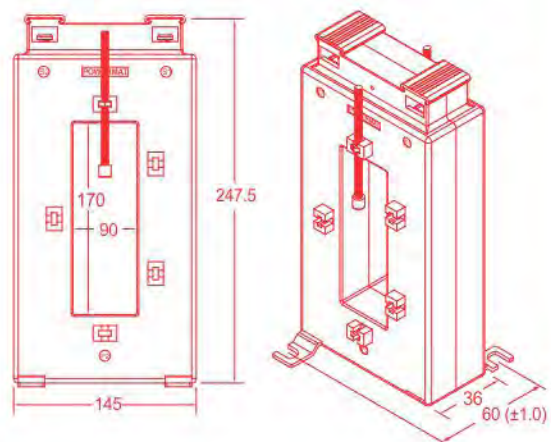
Product Code	Ratio	Burden	Class	ID
TERMINAL TYPE				
MTS 1501-15B-155/50	1500/1A	15	1.0	155/50
MTS 1601-15B-155/50	1600/1A	15	1.0	155/50
MTS 2001-15B-155/50	2000/1A	15	1.0	155/50
MTS 2501-15B-155/50	2500/1A	15	1.0	155/50
MTS 3001-15B-155/50	3000/1A	15	1.0	155/50
MTS 3201-15B-155/50	3200/1A	15	1.0	155/50
MTS 4001-15B-155/50	4000/1A	15	1.0	155/50



Rectangular Type Metering Current Transformers
Secondary : 5A, ID : 170/90mm

Section : RC 4.1 Accuracy Class : 1.0

Product Code	Ratio	Burden	Class	ID
TERMINAL TYPE				
MTS 2505-15B-170/90	2500/5A	15	1.0	170/90
MTS 3005-15B-170/90	3000/5A	15	1.0	170/90
MTS 3205-15B-170/90	3200/5A	15	1.0	170/90
MTS 4005-15B-170/90	4000/5A	15	1.0	170/90
MTS 5005-15B-170/90	5000/5A	15	1.0	170/90



Rectangular Type Metering Current Transformers
Secondary : 1A, ID : 170/90mm

Section : RC 4.2 Accuracy Class : 1.0

Product Code	Ratio	Burden	Class	ID
TERMINAL TYPE				
MTS 2501-15B-170/90	2500/1A	15	1.0	170/90
MTS 3001-15B-170/90	3000/1A	15	1.0	170/90
MTS 3201-15B-170/90	3200/1A	15	1.0	170/90
MTS 4001-15B-170/90	4000/1A	15	1.0	170/90
MTS 5001-15B-170/90	5000/1A	15	1.0	170/90

All Dimensions are in MM • Above Current Transformers are **CE** certified.
 All above mentioned CT are also available in Class 0.5, Class 3, Class 5.
 Please contact your local POWERMAT sales representative for more information.

Current Transformers



Resin Cast Rectangular Type Metering Current Transformers Secondary : 5A, ID : 60/25mm

Section : RC 1.1

Accuracy Class : 1.0

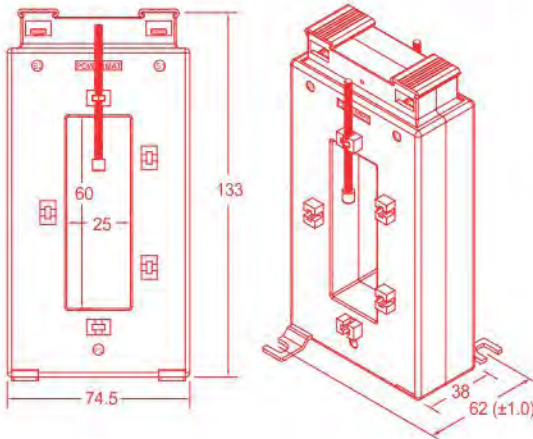
Product Code	Ratio	Burden	Class	ID
TERMINAL TYPE				
MRS 205 -5B-60/25	200/5A	5	1.0	60/25
MRS 205 -10B-60/25	200/5A	10	1.0	60/25
MRS 255 -5B-60/25	250/5A	5	1.0	60/25
MRS 255 -10B-60/25	250/5A	10	1.0	60/25
MRS 305 -5B-60/25	300/5A	5	1.0	60/25
MRS 305 -10B-60/25	300/5A	10	1.0	60/25
MRS 405 -10B-60/25	400/5A	10	1.0	60/25
MRS 505-10B-60/25	500/5	10	1.0	60/25

Rectangular Type Metering Current Transformers Secondary : 1A, ID : 60/25mm

Section : RC 1.2

Accuracy Class : 1.0

Product Code	Ratio	Burden	Class	ID
TERMINAL TYPE				
MRS 201 -5B-60/25	200/1A	5	1.0	60/25
MRS 201 -10B-60/25	200/1A	10	1.0	60/25
MRS 251 -5B-60/25	250/1A	5	1.0	60/25
MRS 251 -10B-60/25	250/1A	10	1.0	60/25
MRS 301 -5B-60/25	300/1A	5	1.0	60/25
MRS 301 -10B-60/25	300/1A	10	1.0	60/25
MRS 401 -10B-60/25	400/1A	10	1.0	60/25
MRS 501-10B-60/25	500/1A	10	1.0	60/25

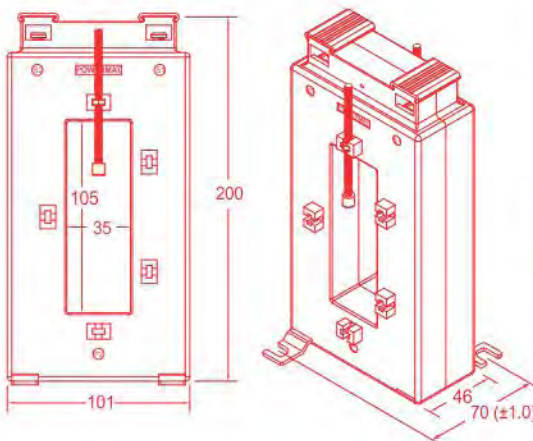


Rectangular Type Metering Current Transformers Secondary : 5A, ID : 105/35mm

Section : RC 2.1

Accuracy Class : 1.0

Product Code	Ratio	Burden	Class	ID
TERMINAL TYPE				
MRS 505-10B-105/35	500/5A	10	1.0	105/35
MRS 605-10B-105/35	600/5A	10	1.0	105/35
MRS 805-10B-105/35	800/5A	10	1.0	105/35
MRS 805-15B-105/35	800/5A	15	1.0	105/35
MRS 1005-10B-105/35	1000/5A	10	1.0	105/35
MRS 1005-15B-105/35	1000/5A	15	1.0	105/35
MRS 1205-15B-105/35	1200/5A	15	1.0	105/35
MRS 1505-15B-105/35	1500/5A	15	1.0	105/35



Rectangular Type Metering Current Transformers Secondary : 1A, ID : 105/35mm

Section : RC 2.2

Accuracy Class : 1.0

Product Code	Ratio	Burden	Class	ID
TERMINAL TYPE				
MRS 501-10B-105/35	500/1A	10	1.0	105/35
MRS 601-10B-105/35	600/1A	10	1.0	105/35
MRS 801-10B-105/35	800/1A	10	1.0	105/35
MRS 801-15B-105/35	800/1A	15	1.0	105/35
MRS 1001-10B-105/35	1000/1A	10	1.0	105/35
MRS 1001-15B-105/35	1000/1A	15	1.0	105/35
MRS 1201-15B-105/35	1200/1A	15	1.0	105/35
MRS 1501-15B-105/35	1500/1A	15	1.0	105/35

All Dimensions are in MM • Above Current Transformers are **CE** certified.
All above mentioned CT are also available in Class 0.5, Class 3, Class 5.
Please contact your local POWERMAT sales representative for more information.

POWERMAT.....

Rectangular Type Metering Current Transformers
Secondary : 5A, ID : 155/50mm

Section : RC 3.1 Accuracy Class : 1.0

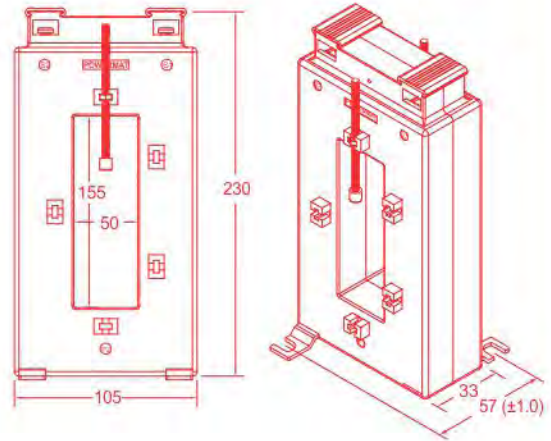
Product Code	Ratio	Burden	Class	ID
TERMINAL TYPE				
MRS 1505-15B-155/50	1500/5A	15	1.0	155/50
MRS 1605-15B-155/50	1600/5A	15	1.0	155/50
MRS 2005-15B-155/50	2000/5A	15	1.0	155/50
MRS 2505-15B-155/50	2500/5A	15	1.0	155/50
MRS 3005-15B-155/50	3000/5A	15	1.0	155/50
MRS 3205-15B-155/50	3200/5A	15	1.0	155/50
MRS 4005-15B-155/50	4000/5A	15	1.0	155/50



Rectangular Type Metering Current Transformers
Secondary : 1A, ID : 155/50mm

Section : RC 3.2 Accuracy Class : 1.0

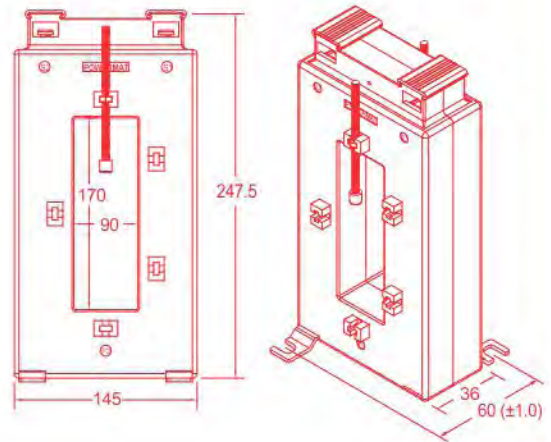
Product Code	Ratio	Burden	Class	ID
TERMINAL TYPE				
MRS 1501-15B-155/50	1500/1A	15	1.0	155/50
MRS 1601-15B-155/50	1600/1A	15	1.0	155/50
MRS 2001-15B-155/50	2000/1A	15	1.0	155/50
MRS 2501-15B-155/50	2500/1A	15	1.0	155/50
MRS 3001-15B-155/50	3000/1A	15	1.0	155/50
MRS 3201-15B-155/50	3200/1A	15	1.0	155/50
MRS 4001-15B-155/50	4000/1A	15	1.0	155/50



Rectangular Type Metering Current Transformers
Secondary : 5A, ID : 170/90mm

Section : RC 4.1 Accuracy Class : 1.0

Product Code	Ratio	Burden	Class	ID
TERMINAL TYPE				
MRS 2505-15B-170/90	2500/5A	15	1.0	170/90
MRS 3005-15B-170/90	3000/5A	15	1.0	170/90
MRS 3205-15B-170/90	3200/5A	15	1.0	170/90
MRS 4005-15B-170/90	4000/5A	15	1.0	170/90
MRS 5005-15B-170/90	5000/5A	15	1.0	170/90



Rectangular Type Metering Current Transformers
Secondary : 1A, ID : 170/90mm

Section : RC 4.2 Accuracy Class : 1.0

Product Code	Ratio	Burden	Class	ID
TERMINAL TYPE				
MRS 2501-15B-170/90	2500/1A	15	1.0	170/90
MRS 3001-15B-170/90	3000/1A	15	1.0	170/90
MRS 3201-15B-170/90	3200/1A	15	1.0	170/90
MRS 4001-15B-170/90	4000/1A	15	1.0	170/90
MRS 5001-15B-170/90	5000/1A	15	1.0	170/90

All Dimensions are in MM • Above Current Transformers are **CE** certified.
 All above mentioned CT are also available in Class 0.5
 Please contact your local POWERMAT sales representative for more information.

Current Transformers

Moulded Case Metering Current Transformers Secondary : 5A, ID : 20mm

Section : MC 1.1

Accuracy Class : 1.0

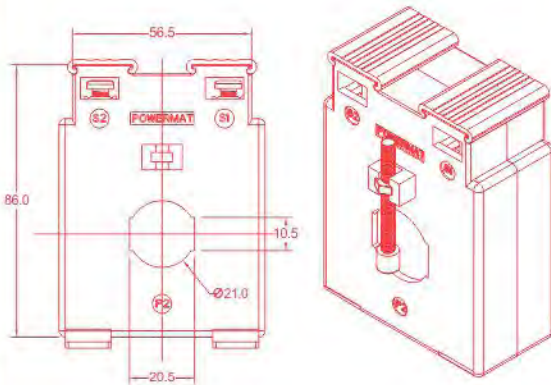


Product Code	Ratio	Burden	Class	ID
TERMINAL TYPE				
MNB 30-5B-20-(4T)	25/5A	5	1.0	20
MNB 35-5B-20-(4T)	30/5A	5	1.0	20
MNB 45-5B-20-2T	40/5A	5	1.0	20
MNB 55-5B-20-2T	50/5A	5	1.0	20
MNB 65-5B-20-2T	60/5A	5	1.0	20
MNB 85-5B-20	80/5A	5	1.0	20
MNB 105-5B-20	100/5A	5	1.0	20
MNB 130-5B-20	125/5A	5	1.0	20
MNB 155-5B-20	150/5A	5	1.0	20

Moulded Case Metering Current Transformers Secondary : 1A, ID : 20mm

Section : MC 1.2

Accuracy Class : 1.0

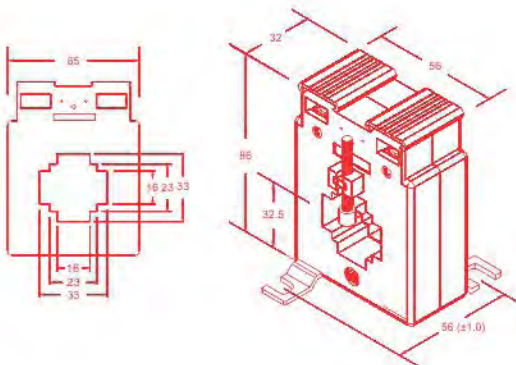


Product Code	Ratio	Burden	Class	ID
TERMINAL TYPE				
MNB 26-5B-20-(4T)	25/1A	5	1.0	20
MNB 31-5B-20-(4T)	30/1A	5	1.0	20
MNB 41-5B-20-2T	40/1A	5	1.0	20
MNB 51-5B-20-2T	50/1A	5	1.0	20
MNB 61-5B-20-2T	60/1A	5	1.0	20
MNB 81-5B-20	80/1A	5	1.0	20
MNB 101-5B-20	100/1A	5	1.0	20
MNB 126-5B-20	125/1A	5	1.0	20
MNB 151-5B-20	150/1A	5	1.0	20

Moulded Case Metering Current Transformers Secondary : 5A, ID : 33/16mm

Section : MC 2.1

Accuracy Class : 1.0



Product Code	Ratio	Burden	Class	ID
TERMINAL TYPE				
MNB 155-2.5B-33/16	150/5A	2.5	1.0	33/16
MNB 205-2.5B-33/16	200/5A	2.5	1.0	33/16
MNB 255-5B-33/16	250/5A	5	1.0	33/16
MNB 305-5B-33/16	300/5A	5	1.0	33/16

Moulded Case Metering Current Transformers Secondary : 1A, ID : 33/16mm

Section : MC 2.2

Accuracy Class : 1.0

Product Code	Ratio	Burden	Class	ID
TERMINAL TYPE				
MNB 151-2.5B-33/16	150/1A	2.5	1.0	33/16
MNB 201-2.5B-33/16	200/1A	2.5	1.0	33/16
MNB 251-5B-33/16	250/1A	5	1.0	33/16
MNB 301-5B-33/16	300/1A	5	1.0	33/16

All Dimensions are in MM • Above Current Transformers are CE certified.

POWERMAT.....

Moulded Case Metering Current Transformers
Secondary : 5A, ID : 40/13mm

Section : MC 3.1

Accuracy Class : 1.0

Product Code	Ratio	Burden	Class	ID
MNB 255 -5B-40/13	250/5A	5	1.0	40/13
MNB 305 -5B-40/13	300/5A	5	1.0	40/13
MNB 405 -5B-40/13	400/5A	5	1.0	40/13
MNB 505 -5B-40/13	500/5A	5	1.0	40/13

TERMINAL TYPE



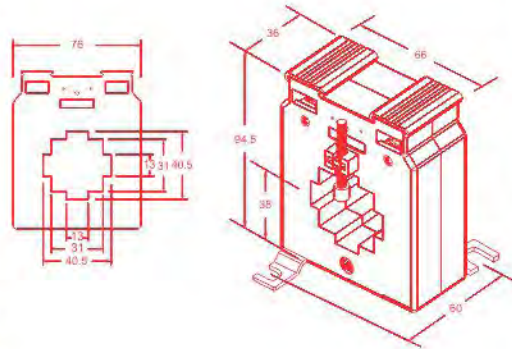
Moulded Case Metering Current Transformers
Secondary : 1A, ID : 40/13mm

Section : MC 3.2

Accuracy Class : 1.0

Product Code	Ratio	Burden	Class	ID
MNB 251 -5B-40/13	250/1A	5	1.0	40/13
MNB 301 -5B-40/13	300/1A	5	1.0	40/13
MNB 401 -5B-40/13	400/1A	5	1.0	40/13
MNB 501 -5B-40/13	500/1A	5	1.0	40/13

TERMINAL TYPE



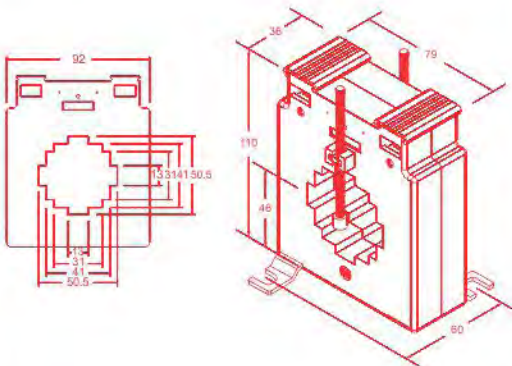
Moulded Case Metering Current Transformers
Secondary : 5A, ID : 50/13mm

Section : MC 4.1

Accuracy Class : 1.0

Product Code	Ratio	Burden	Class	ID
MNB 405 -10B-50/13	400/5A	10	1.0	50/13
MNB 505 -10B-50/13	500/5A	10	1.0	50/13
MNB 605 -10B-50/13	600/5A	10	1.0	50/13
MNB 805 -10B-50/13	800/5A	10	1.0	50/13

TERMINAL TYPE



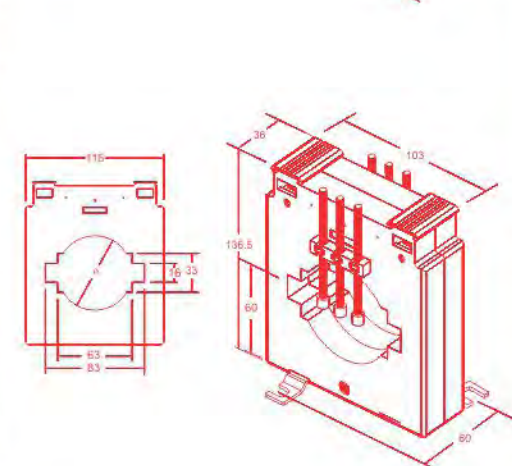
Moulded Case Metering Current Transformers
Secondary : 1A, ID : 50/13mm

Section : MC 4.2

Accuracy Class : 1.0

Product Code	Ratio	Burden	Class	ID
MNB 401 -10B-50/13	400/1A	10	1.0	50/13
MNB 501 -10B-50/13	500/1A	10	1.0	50/13
MNB 601 -10B-50/13	600/1A	10	1.0	50/13
MNB 801 -10B-50/13	800/1A	10	1.0	50/13

TERMINAL TYPE



Moulded Case Metering Current Transformers
Secondary : 5A, ID : 83/16mm

Section : MC 5.1

Accuracy Class : 1.0

Product Code	Ratio	Burden	Class	ID
MNB 805 -15B-83/16	800/5A	15	1.0	83/16
MNB 1005 -15B-83/16	1000/5A	15	1.0	83/16
MNB 1205 -15B-83/16	1200/5A	15	1.0	83/16
MNB 1605 -15B-83/16	1600/5A	15	1.0	83/16
MNB 2005 -15B-83/16	2000/5A	15	1.0	83/16

TERMINAL TYPE

Moulded Case Metering Current Transformers
Secondary : 1A, ID : 83/16mm

Section : MC 5.2

Accuracy Class : 1.0

Product Code	Ratio	Burden	Class	ID
MNB 801 -15B-83/16	800/1A	15	1.0	83/16
MNB 1001 -15B-83/16	1000/1A	15	1.0	83/16
MNB 1201 -15B-83/16	1200/1A	15	1.0	83/16
MNB 1601 -15B-83/16	1600/1A	15	1.0	83/16
MNB 2001 -15B-83/16	2000/1A	15	1.0	83/16

TERMINAL TYPE

All Dimensions are in MM • Above Current Transformers are CE certified.

Current Transformers

Moulded Case Metering Current Transformers Secondary : 5A, ID : 30/11mm

Section : 6.1

Accuracy Class : 1.0

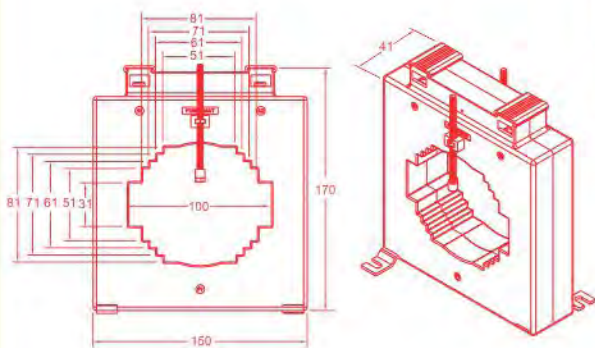


Product Code	Ratio	Burden	Class	ID
MNB 105-1B-30/11	100/5A	1	1.0	30/11
MNB 130-1B-30/11	125/5A	1	1.0	30/11
MNB 155-2.5B-30/11	150/5A	2.5	1.0	30/11
MNB 205-2.5B-30/11	200/5A	2.5	1.0	30/11
MNB 255-5B-30/11	250/5A	5	1.0	30/11
MNB 305-5B-30/11	300/5A	5	1.0	30/11
MNB 405-5B-30/11	400/5A	5	1.0	30/11

Moulded Case Metering Current Transformers Secondary : 1A, ID : 30/11mm

Section : 6.2

Accuracy Class : 1.0

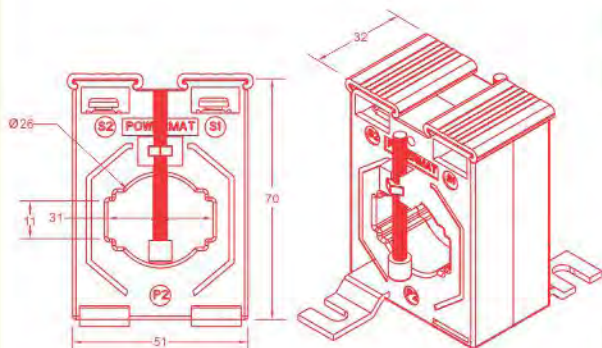


Product Code	Ratio	Burden	Class	ID
MNB 101-1B-30/11	100/1A	1	1.0	30/11
MNB 126-1B-30/11	125/1A	1	1.0	30/11
MNB 151-2.5B-30/11	150/1A	2.5	1.0	30/11
MNB 201-2.5B-30/11	200/1A	2.5	1.0	30/11
MNB 251-5B-30/11	250/1A	5	1.0	30/11
MNB 301-5B-30/11	300/1A	5	1.0	30/11
MNB 401-5B-30/11	400/1A	5	1.0	30/11

Moulded Case Metering Current Transformers Secondary : 5A, ID : 100/30mm

Section : 7.1

Accuracy Class : 1.0



Product Code	Ratio	Burden	Class	ID
MNB 805-15B-100/30	800/5A	15	1.0	100/30
MNB 1005-15B-100/30	1000/5A	15	1.0	100/30
MNB 1255-15B-100/30	1250/5A	15	1.0	100/30
MNB 1605-15B-100/30	1600/5A	15	1.0	100/30
MNB 2005-15B-100/30	2000/5A	15	1.0	100/30
MNB 2505-15B-100/30	2500/5A	15	1.0	100/30

Moulded Case Metering Current Transformers Secondary : 1A, ID : 100/30mm

Section : 7.2

Accuracy Class : 1.0

Product Code	Ratio	Burden	Class	ID
MNB 801-15B-100/30	800/1A	15	1.0	100/30
MNB 1001-15B-100/30	1000/1A	15	1.0	100/30
MNB 1251-15B-100/30	1250/1A	15	1.0	100/30
MNB 1601-15B-100/30	1600/1A	15	1.0	100/30
MNB 2001-15B-100/30	2000/1A	15	1.0	100/30
MNB 2501-15B-100/30	2500/1A	15	1.0	100/30

All Dimensions are in MM • Above Current Transformers are certified.
All Current Transformers available in 5P5 & 5P10

Ring Type Protection Current Transformers
Secondary : 5A, ID : 43mm

Section : PC 1.1 Accuracy Class : 5P10

Product Code	Ratio	Burden	Class	ID
TERMINAL TYPE				
PTT 105 -5D-43	100/5A	5	5P10	43
PTT 155 -10D-43	150/5A	10	5P10	43
PTT 205 -10D-43	200/5A	10	5P10	43
PTT 255 -10D-43	250/5A	10	5P10	43
PTT 305 -10D-43	300/5A	10	5P10	43
PTT 405 -10D-43	400/5A	10	5P10	43



Ring Type Protection Current Transformers
Secondary : 1A, ID : 43mm

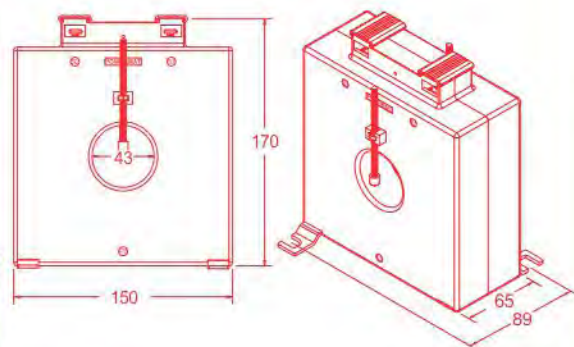
Section : PC 1.2 Accuracy Class : 5P10

Product Code	Ratio	Burden	Class	ID
TERMINAL TYPE				
PTT 101 -5D-43	100/1A	5	5P10	43
PTT 151 -10D-43	150/1A	10	5P10	43
PTT 201 -10D-43	200/1A	10	5P10	43
PTT 251 -10D-43	250/1A	10	5P10	43
PTT 301 -10D-43	300/1A	10	5P10	43
PTT 401 -10D-43	400/1A	10	5P10	43

Rectangular Type Protection Current Transformers
Secondary : 5A, ID : 105/35mm

Section : PC 2.1 Accuracy Class : 5P10

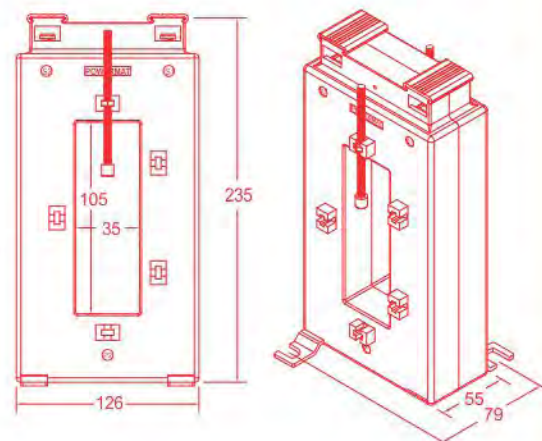
Product Code	Ratio	Burden	Class	ID
TERMINAL TYPE				
PTS 505 -10D-105/35	500/5A	10	5P10	105/35
PTS 605 -10D-105/35	600/5A	10	5P10	105/35
PTS 805 -15D-105/35	800/5A	15	5P10	105/35
PTS 1005 -15D-105/35	1000/5A	15	5P10	105/35
PTS 1205 -15D-105/35	1200/5A	15	5P10	105/35
PTS 1255 -15D-105/35	1250/5A	15	5P10	105/35
PTS 1505 -15D-105/35	1500/5A	15	5P10	105/35
PTS 1605 -15D-105/35	1600/5A	15	5P10	105/35



Rectangular Type Protection Current Transformers
Secondary : 1A, ID : 105/35mm

Section : PC 2.2 Accuracy Class : 5P10

Product Code	Ratio	Burden	Class	ID
TERMINAL TYPE				
PTS 501 -10D-105/35	500/1A	10	5P10	105/35
PTS 601 -10D-105/35	600/1A	10	5P10	105/35
PTS 801 -15D-105/35	800/1A	15	5P10	105/35
PTS 1001 -15D-105/35	1000/1A	15	5P10	105/35
PTS 1201 -15D-105/35	1200/1A	15	5P10	105/35
PTS 1251 -15D-105/35	1250/1A	15	5P10	105/35
PTS 1501 -15D-105/35	1500/1A	15	5P10	105/35
PTS 1601 -15D-105/35	1600/1A	15	5P10	105/35



All Dimensions are in MM • Above Current Transformers are CE certified.
 All Current Transformers available in 5P5 & 5P10

Current Transformers



Rectangular Type Protection Current Transformers Secondary : 5A, ID : 155/50mm

Section : PC 3.1

Accuracy Class : 5P10

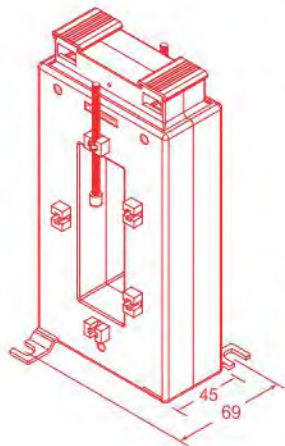
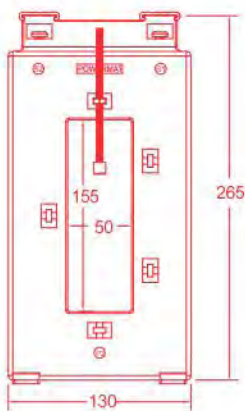
Product Code	Ratio	Burden	Class	ID
TERMINAL TYPE				
PTS 1505 -15D-155/50	1500/5A	15	5P10	155/50
PTS 1605 -15D-155/50	1600/5A	15	5P10	155/50
PTS 2005 -15D-155/50	2000/5A	15	5P10	155/50
PTS 2505 -15D-155/50	2500/5A	15	5P10	155/50
PTS 3005 -15D-155/50	3000/5A	15	5P10	155/50
PTS 3205 -15D-155/50	3200/5A	15	5P10	155/50
PTS 4005 -15D-155/50	4000/5A	15	5P10	155/50

Rectangular Type Protection Current Transformers Secondary : 1A, ID : 155/50mm

Section : PC 3.2

Accuracy Class : 5P10

Product Code	Ratio	Burden	Class	ID
TERMINAL TYPE				
PTS 1501 -15D-155/50	1500/1A	15	5P10	155/50
PTS 1601 -15D-155/50	1600/1A	15	5P10	155/50
PTS 2001 -15D-155/50	2000/1A	15	5P10	155/50
PTS 2501 -15D-155/50	2500/1A	15	5P10	155/50
PTS 3001 -15D-155/50	3000/1A	15	5P10	155/50
PTS 3201 -15D-155/50	3200/1A	15	5P10	155/50
PTS 4001 -15D-155/50	4000/1A	15	5P10	155/50

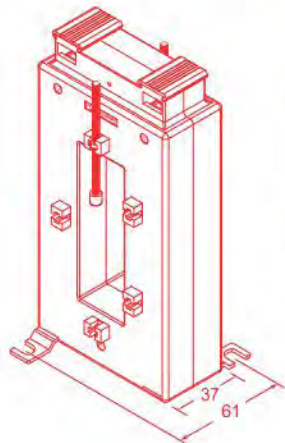
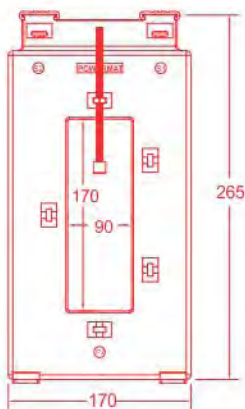


Rectangular Type Protection Current Transformers Secondary : 5A, ID : 170/90mm

Section : PC 4.1

Accuracy Class : 5P10

Product Code	Ratio	Burden	Class	ID
TERMINAL TYPE				
PTS 2505-15D-170/90	2500/5A	15	5P10	170/90
PTS 3005-15D-170/90	3000/5A	15	5P10	170/90
PTS 3205-15D-170/90	3200/5A	15	5P10	170/90
PTS 4005-15D-170/90	4000/5A	15	5P10	170/90
PTS 5005-15D-170/90	5000/5A	15	5P10	170/90



Rectangular Type Protection Current Transformers Secondary : 1A, ID : 170/90mm

Section : PC 4.2

Accuracy Class : 5P10

Product Code	Ratio	Burden	Class	ID
TERMINAL TYPE				
PTS 2501-15D-170/90	2500/1A	15	5P10	170/90
PTS 3001-15D-170/90	3000/1A	15	5P10	170/90
PTS 3201-15D-170/90	3200/1A	15	5P10	170/90
PTS 4001-15D-170/90	4000/1A	15	5P10	170/90
PTS 5001-15D-170/90	5000/1A	15	5P10	170/90

All Dimensions are in MM • Above Current Transformers are CE certified.
All Current Transformers available in 5P5, 5P10 & PS

Ring Type RESIN Protection Current Transformers
Secondary : 5A, ID : 43mm

Section : PC 1.1

Accuracy Class : 5P10

Product Code	Ratio	Burden	Class	ID
TERMINAL TYPE				
PRT 105 -5D-43	100/5A	5	5P10	43
PRT 155 -10D-43	150/5A	10	5P10	43
PRT 205 -10D-43	200/5A	10	5P10	43
PRT 255 -10D-43	250/5A	10	5P10	43
PRT 305 -10D-43	300/5A	10	5P10	43
PRT 405 -10D-43	400/5A	10	5P10	43

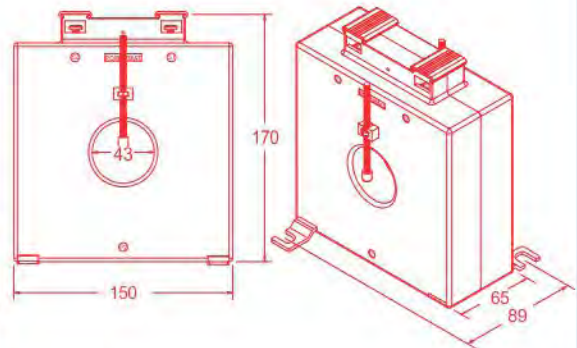


Ring Type RESIN Protection Current Transformers
Secondary : 1A, ID : 43mm

Section : PC 1.2

Accuracy Class : 5P10

Product Code	Ratio	Burden	Class	ID
TERMINAL TYPE				
PRT 101 -5D-43	100/1A	5	5P10	43
PRT 151 -10D-43	150/1A	10	5P10	43
PRT 201 -10D-43	200/1A	10	5P10	43
PRT 251 -10D-43	250/1A	10	5P10	43
PRT 301 -10D-43	300/1A	10	5P10	43
PRT 401 -10D-43	400/1A	10	5P10	43

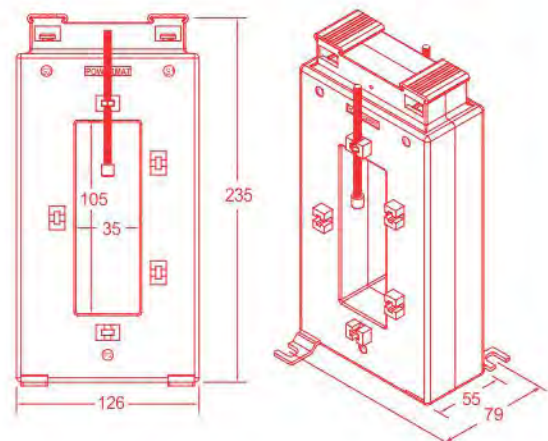


Rectangular RESIN Type Protection Current Transformers
Secondary : 5A, ID : 105/35mm

Section : PC 2.1

Accuracy Class : 5P10

Product Code	Ratio	Burden	Class	ID
TERMINAL TYPE				
PRS 505 -10D-105/35	500/5A	10	5P10	105/35
PRS 605 -10D-105/35	600/5A	10	5P10	105/35
PRS 805 -15D-105/35	800/5A	15	5P10	105/35
PRS 1005 -15D-105/35	1000/5A	15	5P10	105/35
PRS 1205 -15D-105/35	1200/5A	15	5P10	105/35
PRS 1255 -15D-105/35	1250/5A	15	5P10	105/35
PRS 1505 -15D-105/35	1500/5A	15	5P10	105/35
PRS 1605 -15D-105/35	1600/5A	15	5P10	105/35



Rectangular RESIN Type Protection Current Transformers
Secondary : 1A, ID : 105/35mm

Section : PC 2.2

Accuracy Class : 5P10

Product Code	Ratio	Burden	Class	ID
TERMINAL TYPE				
PRS 501 -10D-105/35	500/1A	10	5P10	105/35
PRS 601 -10D-105/35	600/1A	10	5P10	105/35
PRS 801 -15D-105/35	800/1A	15	5P10	105/35
PRS 1001 -15D-105/35	1000/1A	15	5P10	105/35
PRS 1201 -15D-105/35	1200/1A	15	5P10	105/35
PRS 1251 -15D-105/35	1250/1A	15	5P10	105/35
PRS 1501 -15D-105/35	1500/1A	15	5P10	105/35
PRS 1601 -15D-105/35	1600/1A	15	5P10	105/35

All Dimensions are in MM • Above Current Transformers are CE certified.
 All Current Transformers available in 5P5, 5P10 & PS

Current Transformers



Rectangular RESIN Type Protection Current Transformers Secondary : 5A, ID : 155/50mm

Section : PC 3.1

Accuracy Class : 5P10

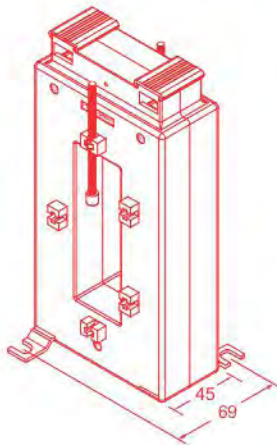
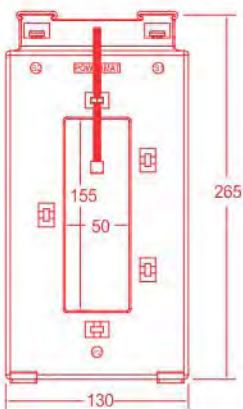
Product Code	Ratio	Burden	Class	ID
TERMINAL TYPE				
PRS 1505 -15D-155/50	1500/5A	15	5P10	155/50
PRS 1605 -15D-155/50	1600/5A	15	5P10	155/50
PRS 2005 -15D-155/50	2000/5A	15	5P10	155/50
PRS 2505 -15D-155/50	2500/5A	15	5P10	155/50
PRS 3005 -15D-155/50	3000/5A	15	5P10	155/50
PRS 3205 -15D-155/50	3200/5A	15	5P10	155/50
PRS 4005 -15D-155/50	4000/5A	15	5P10	155/50

Rectangular RESIN Type Protection Current Transformers Secondary : 1A, ID : 155/50mm

Section : PC 3.2

Accuracy Class : 5P10

Product Code	Ratio	Burden	Class	ID
TERMINAL TYPE				
PRS 1501 -15D-155/50	1500/1A	15	5P10	155/50
PRS 1601 -15D-155/50	1600/1A	15	5P10	155/50
PRS 2001 -15D-155/50	2000/1A	15	5P10	155/50
PRS 2501 -15D-155/50	2500/1A	15	5P10	155/50
PRS 3001 -15D-155/50	3000/1A	15	5P10	155/50
PRS 3201 -15D-155/50	3200/1A	15	5P10	155/50
PRS 4001 -15D-155/50	4000/1A	15	5P10	155/50

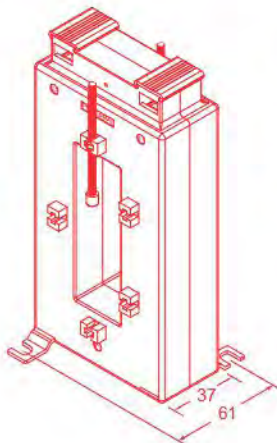
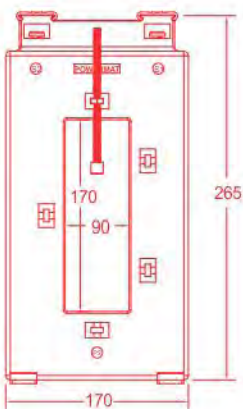


Rectangular RESIN Type Protection Current Transformers Secondary : 5A, ID : 170/90mm

Section : PC 4.1

Accuracy Class : 5P10

Product Code	Ratio	Burden	Class	ID
TERMINAL TYPE				
PRS 2505-15D-170/90	2500/5A	15	5P10	170/90
PRS 3005-15D-170/90	3000/5A	15	5P10	170/90
PRS 32005-15D-170/90	3200/5A	15	5P10	170/90
PRS 4005-15D-170/90	4000/5A	15	5P10	170/90
PRS 5005-15D-170/90	5000/5A	15	5P10	170/90



Rectangular RESIN Type Protection Current Transformers Secondary : 1A, ID : 170/90mm

Section : PC 4.2

Accuracy Class : 5P10

Product Code	Ratio	Burden	Class	ID
TERMINAL TYPE				
PRS 2501-15D-170/90	2500/1A	15	5P10	170/90
PRS 3001-15D-170/90	3000/1A	15	5P10	170/90
PRS 3201-15D-170/90	3200/1A	15	5P10	170/90
PRS 4001-15D-170/90	4000/1A	15	5P10	170/90
PRS 5001-15D-170/90	5000/1A	15	5P10	170/90

All Dimensions are in MM • Above Current Transformers are certified.
All Current Transformers available in 5P5, 5P10 & PS.

Special Class Protection Current Transformers
Secondary : 5A, ID : 105/35mm

Section : SP 1.1 Accuracy Class : PS

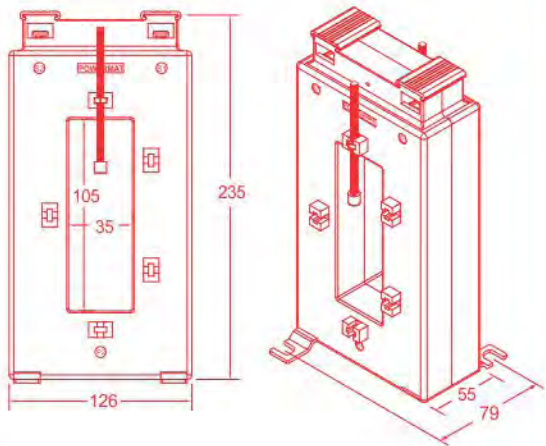
Product Code	Ratio	VK	Class	ID
TERMINAL TYPE				
PSC 805 -30V-105/35	800/5A	30	PS	105/35
PSC 1005 -35V-105/35	1000/5A	35	PS	105/35
PSC 1205 -35V-105/35	1200/5A	35	PS	105/35
PSC 1255 -40V-105/35	1250/5A	40	PS	105/35
PSC 1605 -45V-105/35	1600/5A	45	PS	105/35



Special Class Protection Current Transformers
Secondary : 1A, ID : 105/35mm

Section : SP 1.2 Accuracy Class : PS

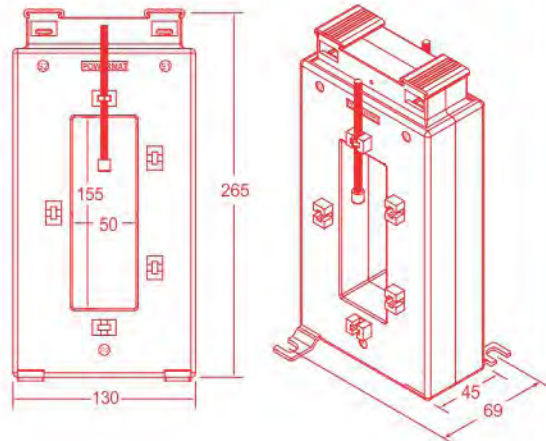
Product Code	Ratio	VK	Class	ID
TERMINAL TYPE				
PSC 801 -115V-105/35	800/1A	115	PS	105/35
PSC 1001 -140V-105/35	1000/1A	140	PS	105/35
PSC 1201 -170V-105/35	1200/1A	170	PS	105/35
PSC 1251 -180V-105/35	1250/1A	180	PS	105/35
PSC 1601 -220V-105/35	1600/1A	220	PS	105/35



Special Class Protection Current Transformers
Secondary : 5A, ID : 155/50mm

Section : SP 2.1 Accuracy Class : PS

Product Code	Ratio	VK	Class	ID
TERMINAL TYPE				
PSC 1605 -40V-155/50	1600/5A	40	PS	155/50
PSC 2005 -50V-155/50	2000/5A	50	PS	155/50
PSC 2505 -60V-155/50	2500/5A	60	PS	155/50
PSC 3005 -70V-155/50	3000/5A	70	PS	155/50
PSC 3205 -75V-155/50	3200/5A	75	PS	155/50



Special Class Protection Current Transformers
Secondary : 1A, ID : 155/50mm

Section : SP 2.2 Accuracy Class : PS

Product Code	Ratio	VK	Class	ID
TERMINAL TYPE				
PSC 1601 -130V-155/50	1600/1A	130	PS	155/50
PSC 2001 -150V-155/50	2000/1A	150	PS	155/50
PSC 2501 -200V-155/50	2500/1A	200	PS	155/50
PSC 3001 -230V-155/50	3000/1A	230	PS	155/50
PSC 3201 -250V-155/50	3200/1A	250	PS	155/50

All Dimensions are in MM • Above Current Transformers are CE certified.

Current Transformers



Special Class Protection Current Transformers Secondary : 5A, ID : 170/90mm

Section : SP 3.1

Accuracy Class : PS

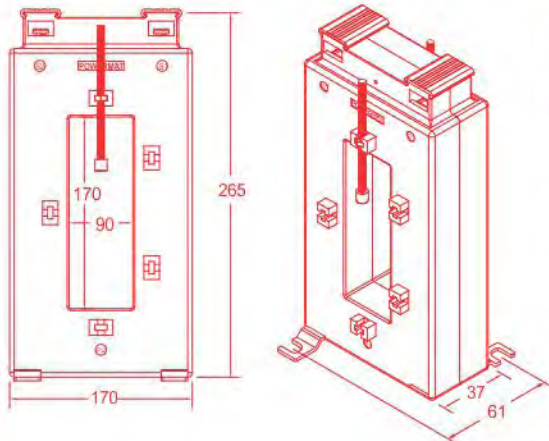
Product Code	Ratio	VK	Class	ID
TERMINAL TYPE				
PSC 2505 -40V-170/90	2500/5A	40	PS	170/90
PSC 3005 -50V-170/90	3000/5A	50	PS	170/90
PSC 3205 -60V-170/90	3200/5A	60	PS	170/90
PSC 4005 -70V-170/90	4000/5A	70	PS	170/90
PSC 5005 -75V-170/90	5000/5A	75	PS	170/90

Special Class Protection Current Transformers Secondary : 1A, ID : 170/90mm

Section : SP 3.2

Accuracy Class : PS

Product Code	Ratio	VK	Class	ID
TERMINAL TYPE				
PSC 2501 -200V-170/90	2500/1A	200	PS	170/90
PSC 3001 -230V-170/90	3000/1A	230	PS	170/90
PSC 3201 -250V-170/90	3200/1A	250	PS	170/90
PSC 4001 -260V-170/90	4000/1A	260	PS	170/90
PSC 5001 -270V-170/90	5000/1A	270	PS	170/90

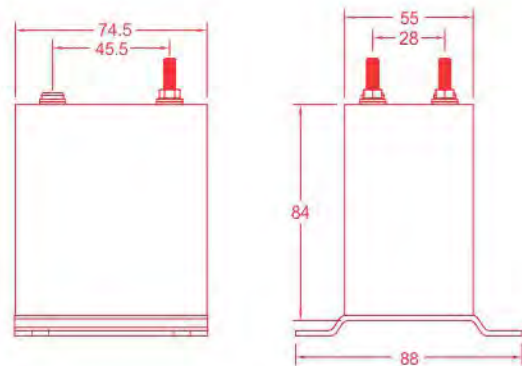


Primary Wound Type Metering Current Transformers Secondary : 5A

Section : WL 1.1

Accuracy Class : 1.0

Product Code	Ratio	Burden	Class
WPL 10 -5B	5/5A	5	1.0
WPL 15 -5B	10/5A	5	1.0
WPL 20 -5B	15/5A	5	1.0
WPL 25 -5B	20/5A	5	1.0
WPL 30 -5B	25/5A	5	1.0
WPL 35 -5B	30/5A	5	1.0
WPL 45 -5B	40/5A	5	1.0
WPL 55 -5B	50/5A	5	1.0
WPL 65 -5B	60/5A	5	1.0



Primary Wound Type Metering Current Transformers Secondary : 1A

Section : WL 1.2

Accuracy Class : 1.0

Product Code	Ratio	Burden	Class
WPL 6 -5B	5/1A	5	1.0
WPL 11 -5B	10/1A	5	1.0
WPL 16 -5B	15/5A	5	1.0
WPL 21 -5B	20/1A	5	1.0
WPL 26 -5B	25/1A	5	1.0
WPL 31 -5B	30/1A	5	1.0
WPL 41 -5B	40/1A	5	1.0
WPL 51 -5B	50/1A	5	1.0
WPL 61 -5B	60/1A	5	1.0



All Dimensions are in MM • Above Current Transformers are CE certified.

Special Class Protection Current Transformers
Secondary : 5A, ID : 105/35mm

RESIN CAST TERMINAL TYPE

Section : SP 1.1 Accuracy Class : PS

Product Code	Ratio	VK	Class	ID
RSC 805 -30V-105/35	800/5A	30	PS	105/35
RSC 1005 -35V-105/35	1000/5A	35	PS	105/35
RSC 1205 -35V-105/35	1200/5A	35	PS	105/35
RSC 1255 -40V-105/35	1250/5A	40	PS	105/35
RSC 1605 -45V-105/35	1600/5A	45	PS	105/35

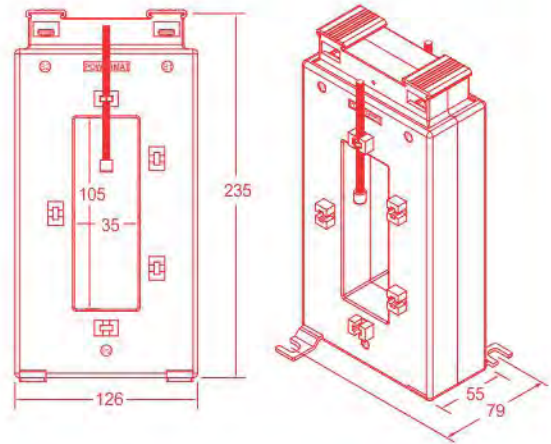


Special Class Protection Current Transformers
Secondary : 1A, ID : 105/35mm

RESIN CAST TERMINAL TYPE

Section : SP 1.2 Accuracy Class : PS

Product Code	Ratio	VK	Class	ID
RSC 801 -115V-105/35	800/1A	115	PS	105/35
RSC 1001 -140V-105/35	1000/1A	140	PS	105/35
RSC 1201 -170V-105/35	1200/1A	170	PS	105/35
RSC 1251 -180V-105/35	1250/1A	180	PS	105/35
RSC 1601 -220V-105/35	1600/1A	220	PS	105/35

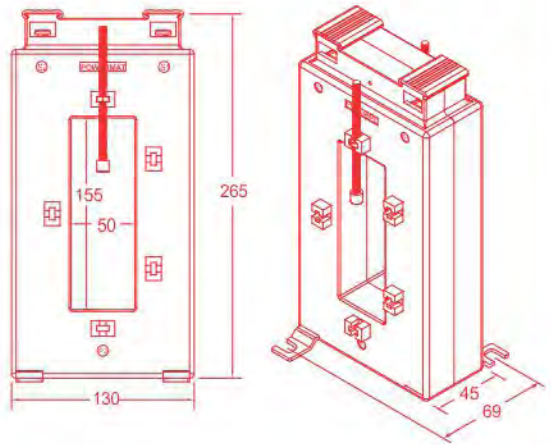


Special Class Protection Current Transformers
Secondary : 5A, ID : 155/50mm

RESIN CAST TERMINAL TYPE

Section : SP 2.1 Accuracy Class : PS

Product Code	Ratio	VK	Class	ID
RSC 1605 -40V-155/50	1600/5A	40	PS	155/50
RSC 2005 -50V-155/50	2000/5A	50	PS	155/50
RSC 2505 -60V-155/50	2500/5A	60	PS	155/50
RSC 3005 -70V-155/50	3000/5A	70	PS	155/50
RSC 3205 -75V-155/50	3200/5A	75	PS	155/50



Special Class Protection Current Transformers
Secondary : 1A, ID : 155/50mm

RESIN CAST TERMINAL TYPE

Section : SP 2.2 Accuracy Class : PS

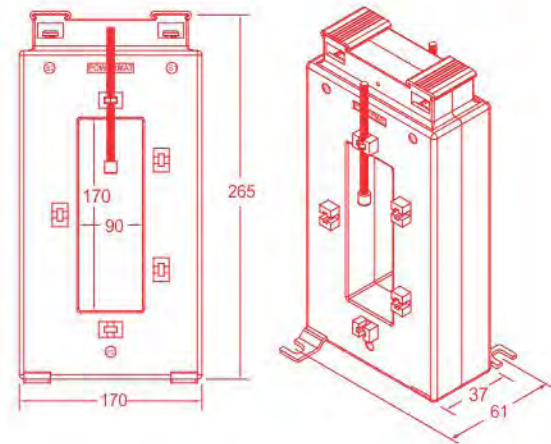
Product Code	Ratio	VK	Class	ID
RSC 1601 -130V-155/50	1600/1A	130	PS	155/50
RSC 2001 -150V-155/50	2000/1A	150	PS	155/50
RSC 2501 -200V-155/50	2500/1A	200	PS	155/50
RSC 3001 -230V-155/50	3000/1A	230	PS	155/50
RSC 3201 -250V-155/50	3200/1A	250	PS	155/50

Special Class Protection Current Transformers
Secondary : 5A, ID : 170/90mm

RESIN CAST TERMINAL TYPE

Section : SP 3.1 Accuracy Class : PS

Product Code	Ratio	VK	Class	ID
RSC 2505 -40V-170/90	2500/5A	40	PS	170/90
RSC 3005 -50V-170/90	3000/5A	50	PS	170/90
RSC 3205 -60V-170/90	3200/5A	60	PS	170/90
RSC 4005 -70V-170/90	4000/5A	70	PS	170/90
RSC 5005 -75V-170/90	5000/5A	75	PS	170/90



Special Class Protection Current Transformers
Secondary : 1A, ID : 170/90mm

RESIN CAST TERMINAL TYPE

Section : SP 3.2 Accuracy Class : PS

Product Code	Ratio	VK	Class	ID
RSC 2501 -200V-170/90	2500/1A	200	PS	170/90
RSC 3001 -230V-170/90	3000/1A	230	PS	170/90
RSC 3201 -250V-170/90	3200/1A	250	PS	170/90
RSC 4001 -260V-170/90	4000/1A	260	PS	170/90
RSC 5001 -270V-170/90	5000/1A	270	PS	170/90

All Dimensions are in MM • Above Current Transformers are CE certified.

Pilot Lights (Super Bright LED Light)



Description

Pilot Lights has a variant from 12 V AC/DC to 240 V AC, 220 V DC & Universal Light (24-240V AC/DC). Three Super Bright LED which collectively give Lux from 450 to 2000. The design of Lense & Reflector is done in such a way that the emitting light will have a wider visibility. All component in Pilot Lights are PCB Mounted & tight fit in terminals made up of Phosphor Bronze whose spring action provide a strong & tougher grip to PCB. Back cover is provided in the same color of the pilot light. This will ease the task of a person while fixing wire at the backside of Panel.

Technical Specification

Current Consumption (Applicable to all colours)	
12 VAC/DC , 110 VAC & 240 VAC	Max. 20 mA
110 VDC	Max. 15 mA
220 VDC	Max. 10 mA
Service Life (at nominal voltage & at ambient temp of 25 deg. C)	100,000 hours
Voltage limits (nominal voltage)	< 20% of rated Volt. >
Terminal Capacity	min. 1 x 0.5 mm ² ,max. 2 x 1.5 mm ² or 1 x 2.5 mm ²
Maximum Lumen @ lense of Pilot Lamp	

DESCRIPTION	INTENSITY IN LUX * (Depending on Voltage)
Super Bright Red Color	700 - 1000
Super Bright Blue Color	450 - 700
Super Bright Yellow Color	750 - 925
Super Bright Green Color	1500 - 1900
Super Bright White Color	2000 - 2500
Super Bright Amber Color	500 - 700

Pilot Lights (12 V AC/DC to 240 V AC/DC)

DESCRIPTION	CAT. NO.
POWER LED Indicator Red 12V AC/DC	PLR012AD
POWER LED Indicator Red 24V AC/DC	PLR024AD
POWER LED Indicator Red 30V AC/DC	PLR030AD
POWER LED Indicator Red 48V AC/DC	PLR048AD
POWER LED Indicator Red 110V AC	PLR110A
POWER LED Indicator Red 110V DC	PLR110D
POWER LED Indicator Red 240V AC	PLR240A
POWER LED Indicator Red 220V DC	PLR220D
Universal POWER LED Indicator Red 24-240V AC/DC	UPLR24 240AD



DESCRIPTION	CAT. NO.
POWER LED Indicator Blue 12V AC/DC	PLB012AD
POWER LED Indicator Blue 24V AC/DC	PLB024AD
POWER LED Indicator Blue 30V AC/DC	PLB030AD
POWER LED Indicator Blue 48V AC/DC	PLB048AD
POWER LED Indicator Blue 110V AC	PLB110A
POWER LED Indicator Blue 110V DC	PLB110D
POWER LED Indicator Blue 240V AC	PLB240A
POWER LED Indicator Blue 220V DC	PLB220D
Universal POWER LED Indicator Blue 24-240V AC/DC	UPLB24 240AD



DESCRIPTION	CAT. NO.
POWER LED Indicator Green 12V AC/DC	PLG012AD
POWER LED Indicator Green 24V AC/DC	PLG024AD
POWER LED Indicator Green 30V AC/DC	PLG030AD
POWER LED Indicator Green 48V AC/DC	PLG048AD
POWER LED Indicator Green 110V AC	PLG110A
POWER LED Indicator Green 110V DC	PLG110D
POWER LED Indicator Green 240V AC	PLG240A
POWER LED Indicator Green 220V DC	PLG220D
Universal POWER LED Indicator Green 24-240V AC/DC	UPLG24 240AD



DESCRIPTION	CAT. NO.
POWER LED Indicator Yellow 12V AC/DC	PLY012AD
POWER LED Indicator Yellow 24V AC/DC	PLY024AD
POWER LED Indicator Yellow 30V AC/DC	PLY030AD
POWER LED Indicator Yellow 48V AC/DC	PLY048AD
POWER LED Indicator Yellow 110V AC	PLY110A
POWER LED Indicator Yellow 110V DC	PLY110D
POWER LED Indicator Yellow 240V AC	PLY240A
POWER LED Indicator Yellow 220V DC	PLY220D
Universal POWER LED Indicator Yellow 24-240V AC/DC	UPLY24 240AD



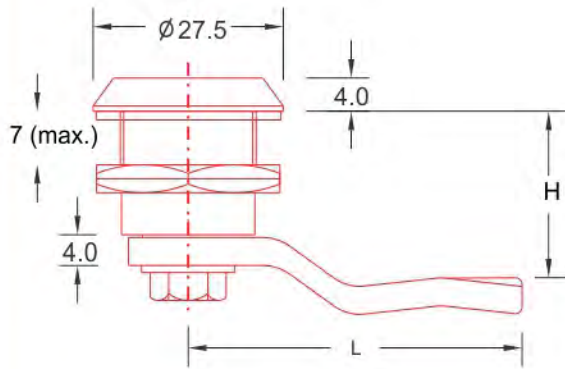
DESCRIPTION	CAT. NO.
POWER LED Indicator White 12V AC/DC	PLW012AD
POWER LED Indicator White 24V AC/DC	PLW024AD
POWER LED Indicator White 30V AC/DC	PLW030AD
POWER LED Indicator White 48V AC/DC	PLW048AD
POWER LED Indicator White 110V AC	PLW110A
POWER LED Indicator White 110V DC	PLW110D
POWER LED Indicator White 240V AC	PLW240A
POWER LED Indicator White 220V DC	PLW220D
Universal POWER LED Indicator White 24-240V AC/DC	UPLW24 240AD



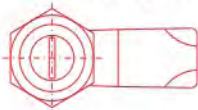
DESCRIPTION	CAT. NO.
POWER LED Indicator Amber 12V AC/DC	PLA012AD
POWER LED Indicator Amber 24V AC/DC	PLA024AD
POWER LED Indicator Amber 30V AC/DC	PLA030AD
POWER LED Indicator Amber 48V AC/DC	PLA048AD
POWER LED Indicator Amber 110V AC	PLA110A
POWER LED Indicator Amber 110V DC	PLA110D
POWER LED Indicator Amber 240V AC	PLA240A
POWER LED Indicator Amber 220V DC	PLA220D
Universal POWER LED Indicator Amber 24-240V AC/DC	UPLA24 240AD



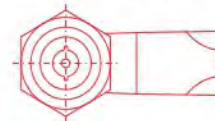
Polyamide Locks for Panel Board



Screw Driver Head



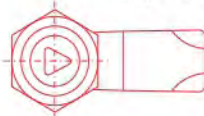
Point Head



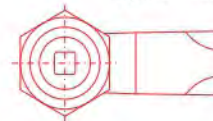
POWERMAT Code	Dimension		Std. Pkg. (Nos.)	Box Wt. (Kg.)
	H	L		
PA 101-12045	20	45	100	1.800
PA 101-12545	25	45	100	1.800
PA 101-13045	30	45	100	1.900
PA 101-13545	35	45	100	1.900
PA 101-14045	40	45	100	2.000
PA 101-14545	45	45	100	2.000
PA 101-15045	50	45	40	0.820
PA 101-15545	55	45	40	0.820

POWERMAT Code	Dimension		Std. Pkg. (Nos.)	Box Wt. (Kg.)
	H	L		
PA 101-22045	20	45	100	1.800
PA 101-22545	25	45	100	1.800
PA 101-23045	30	45	100	1.900
PA 101-23545	35	45	100	1.900
PA 101-24045	40	45	100	2.000
PA 101-24545	45	45	100	2.000
PA 101-25045	50	45	40	0.800
PA 101-25545	55	45	40	0.820

Triangle Head



Square Head



POWERMAT Code	Dimension		Std. Pkg. (Nos.)	Box Wt. (Kg.)
	H	L		
PA 101-32045	20	45	100	1.800
PA 101-32545	25	45	100	1.800
PA 101-33045	30	45	100	1.900
PA 101-33545	35	45	100	1.900
PA 101-34045	40	45	100	2.000
PA 101-34545	45	45	100	2.000
PA 101-35045	50	45	40	0.820
PA 101-35545	55	45	40	0.820

POWERMAT Code	Dimension		Std. Pkg. (Nos.)	Box Wt. (Kg.)
	H	L		
PA 101-42045	20	45	100	1.800
PA 101-42545	25	45	100	1.800
PA 101-43045	30	45	100	1.900
PA 101-43545	35	45	100	1.900
PA 101-44045	40	45	100	2.000
PA 101-44545	45	45	100	2.000
PA 101-45045	50	45	40	0.800
PA 101-45545	55	45	40	0.820



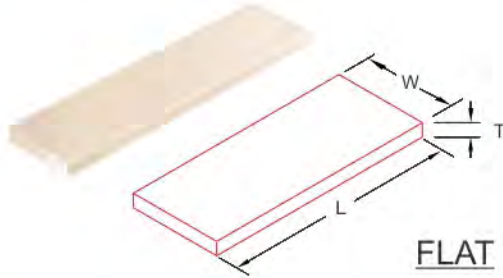
Key



* All Dimensions are in MM

POWERMAT.....

FRP / Epoxy Pultruded Sections



POWERMAT code	Dimension (mm)		
	W	T	L
SF 205035	50	20	350
SF 403560	35	40	600
SF 305078	50	30	780

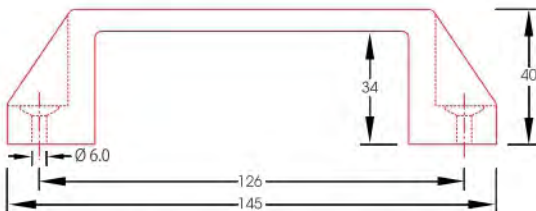
** Material SMC



DINRAIL Plane & Slotted

POWERMAT code	Dimension (mm)
DIN 357508	- 35 x 7.5 x 0.8mm
DIN 357510	- 35 x 7.5 x 1.0mm
DIN 351515	- 35 x 15 x 1.5mm
DIN 32150915	- 32 x 15 x 1.5mm
DIN 357508 S	- 35 x 7.5 x 0.8mm
DIN 357510 S	- 35 x 7.5 x 1.0mm
DIN 351515 S	- 35 x 15 x 1.5mm
DIN 32150915 S	- 32 x 15 x 1.5mm

* Standard length 1 metre or can be any as per requirement
Material CRGO Sheet, Zinc Passivated

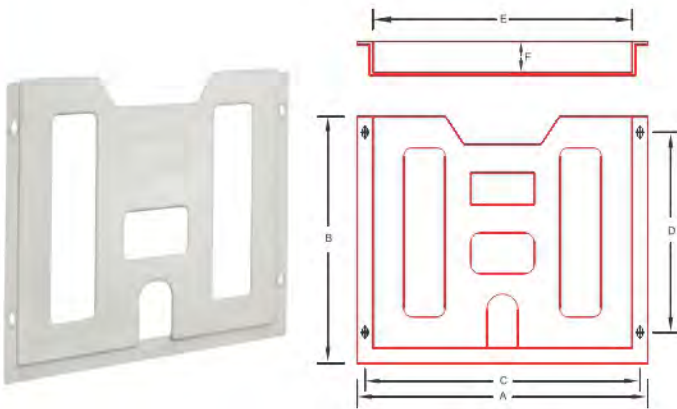


NYLON HANDLE NH 40145

Pkg.: 200 Pcs.; Wt.: 9.900 Kg.

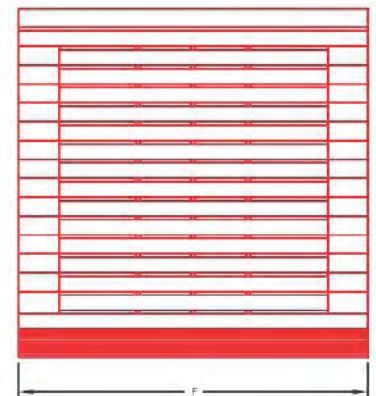
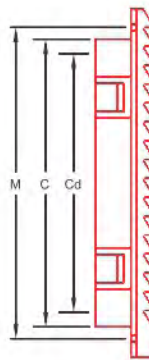
- Material : SMC (Sheet Moulding Compound)  UL File No. QEU2.E249670 (Halogen Free)
- All Dimensions are in MM

Document Holder

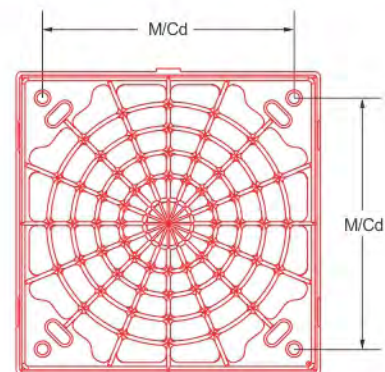
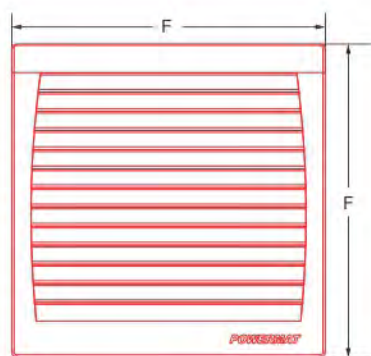


POWERMAT code	Dimension						Std. Pkg. (Nos.)	Box Wt. (Kg.)
	A	B	C	D	E	F		
DH A5	190	185	175	143	160	20	5	0.600
DH A4	280	234	266	150	245	30	4	0.820

Air Vent Cover



POWERMAT code	Dimension M	Cut off Size C	Overall Size F	Fan Mounting Cd	Fan Size Inch	Std. Pkg. (Nos.)	Box Wt. (Kg.)
AV 130	130 x 130mm	123 x 123mm	148 x 148mm	105 x 105mm	4	2	0.288
AV 184	184 x 184mm	177 x 177mm	214 x 214mm	155 x 155mm	6	2	0.615
AV 230	236 x 236mm	224 x 224mm	260 x 260mm	204 x 204mm	8	1	0.474
AV 184 DM-604	184 x 184mm	177 x 177mm	214 x 214mm	105 x 105mm	4	1	0.405
AV 230 DM-806	236 x 236mm	224 x 224mm	260 x 260mm	155 x 155mm	6	1	0.908

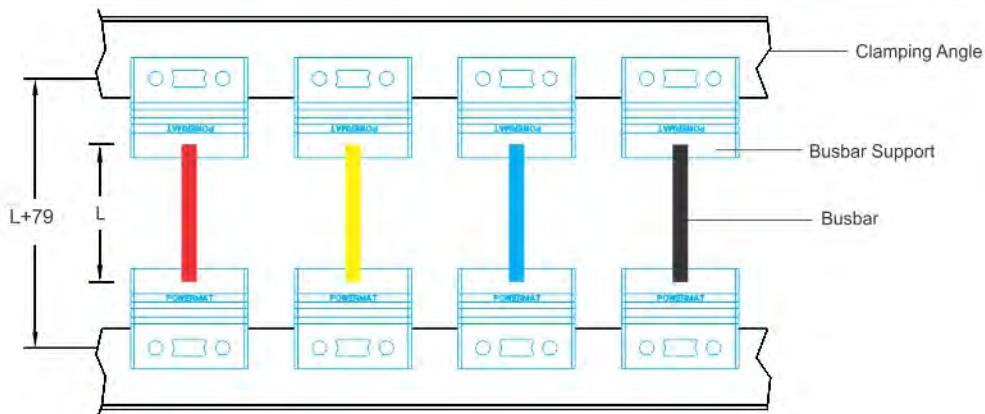
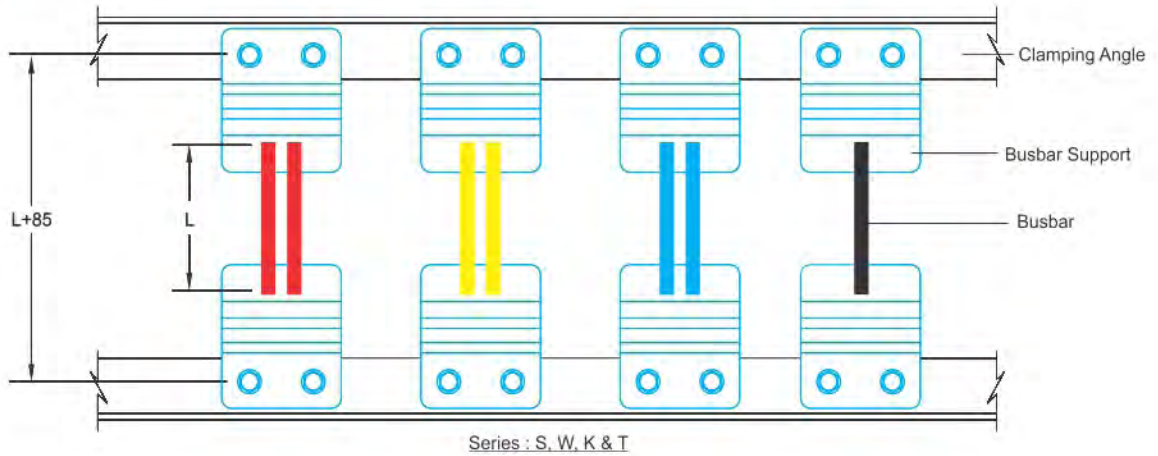
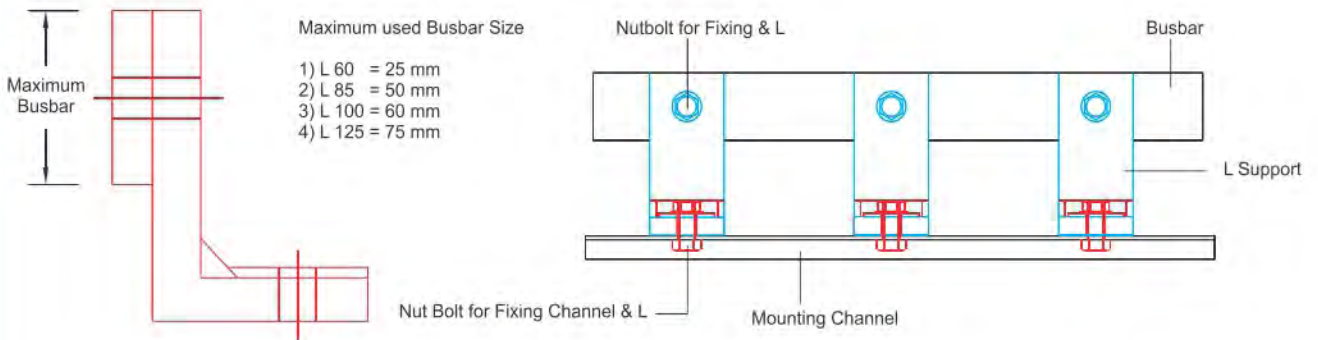
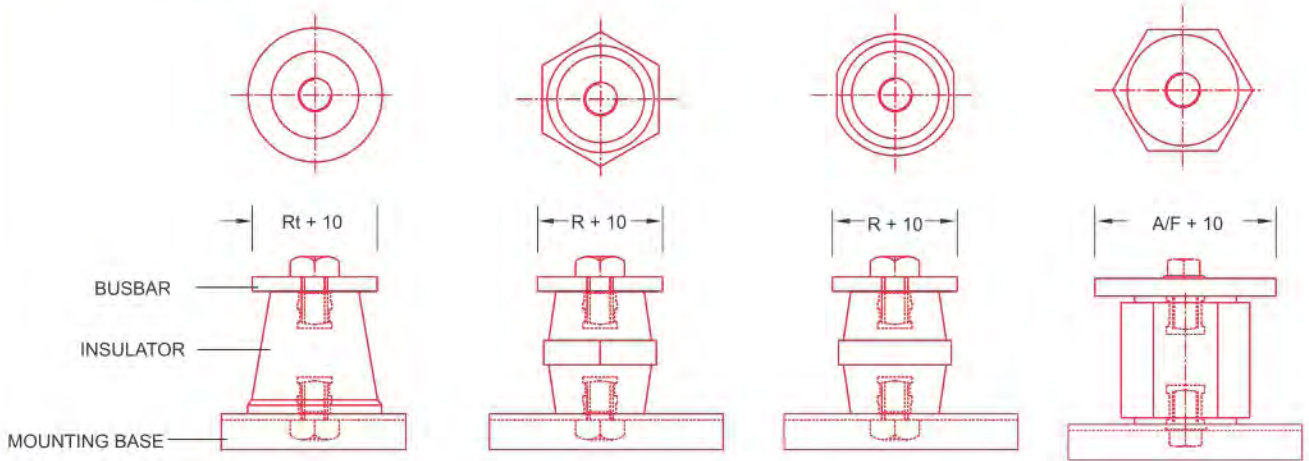


Powermat Code	Fan Size Inch	Over all Size F	Mounting M	Fan Mounting Cd	Thickness	*Std. Pkg. (Nos.)	Box Wt. (Kg.)
EV 100	4	131 x 131mm	105 x 105mm	105 x 105mm	23	142	17.300
EV 150	6	185 x 185mm	155 x 155mm	155 x 155mm	25	50	11.920
EV 200	8	236 x 236mm	204 x 204mm	204 x 204mm	30	50	19.000

• Material : ABS (High Grade)
 • Degree of protection : IP-54
 • Filter Micron Size

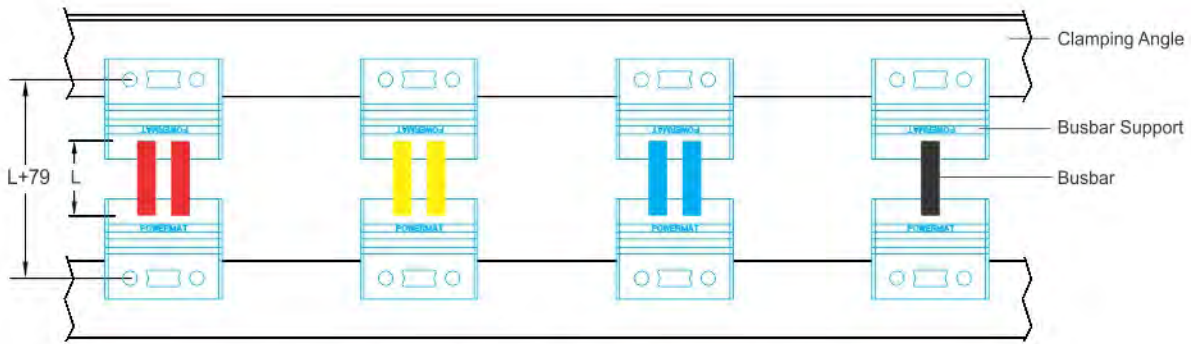
*Available in Outer Box Packing

Mounting Detail

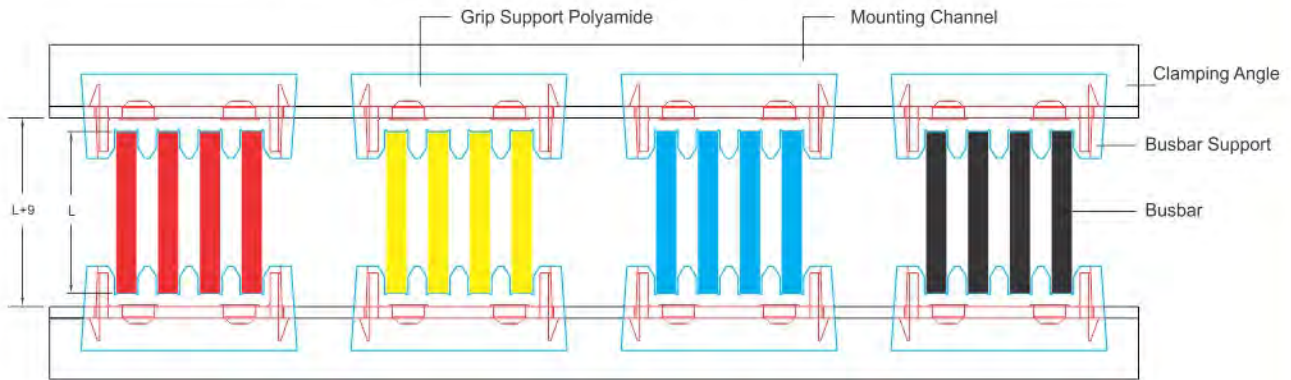


Mounting Details of Polyamide Finger Type Support (N-Series)

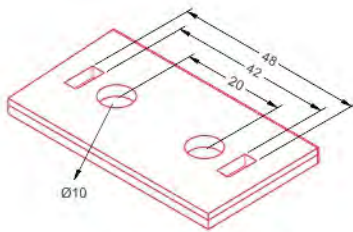
Mounting Detail



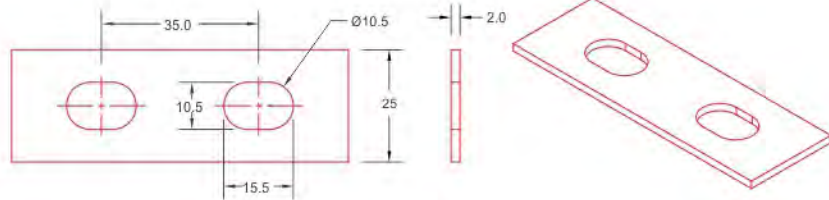
Mounting Details of Polyamide Finger Type Support (N-Series)



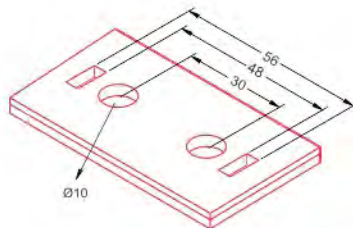
Mounting detail of PAGP 407



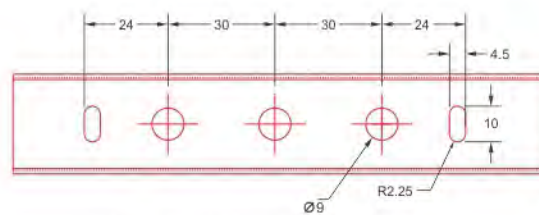
Mounting Fixture for
PAGP Series 110, 112, 206, 210, 307



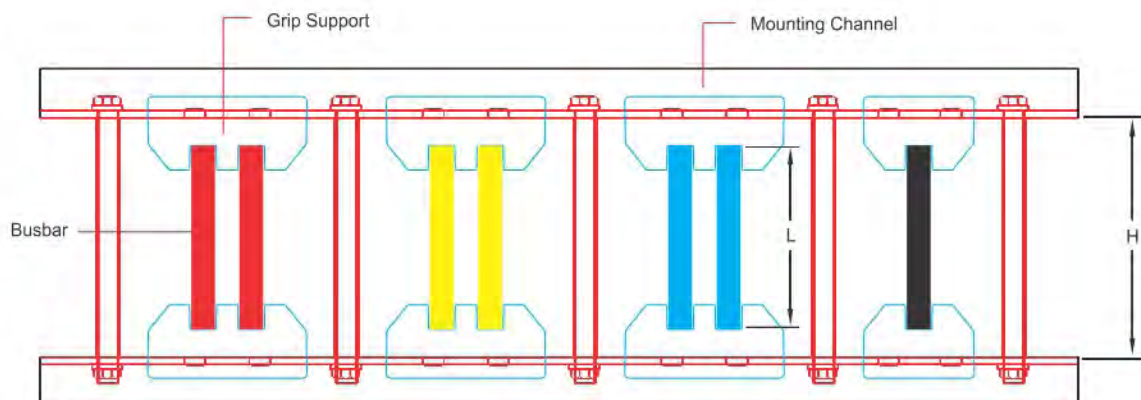
Mounting Fixture for
PAGP-310 CLAMP



Mounting Fixture for PAGP-407

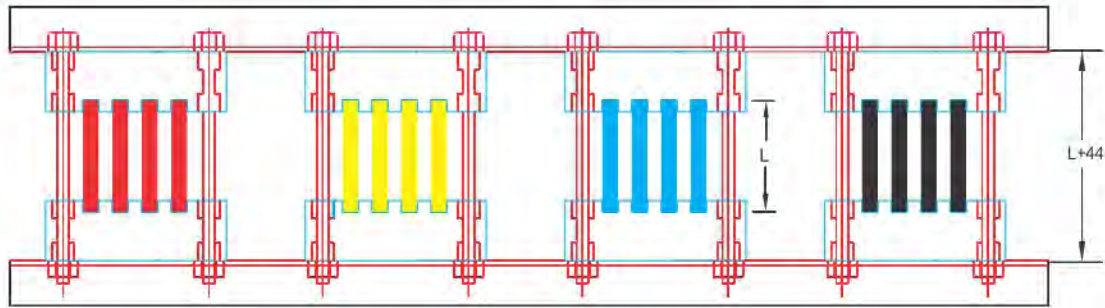


Mounting Fixture for 118 PAGP-510

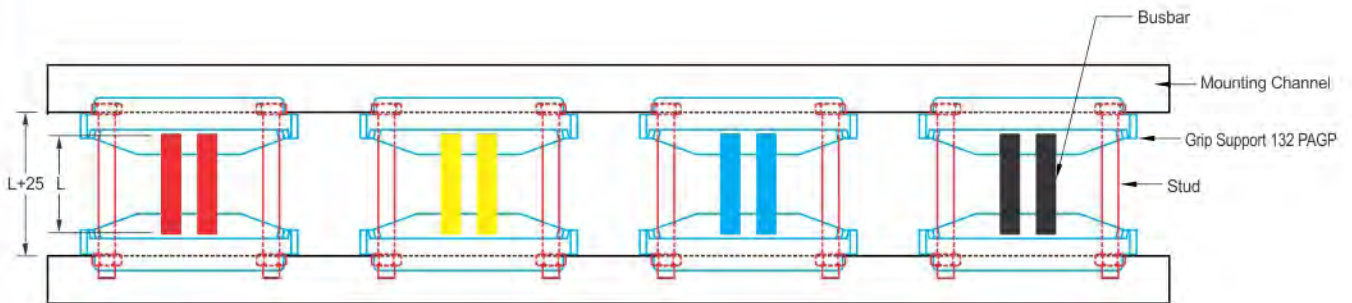


H for GP Series L+15
H for GPS Series L+10

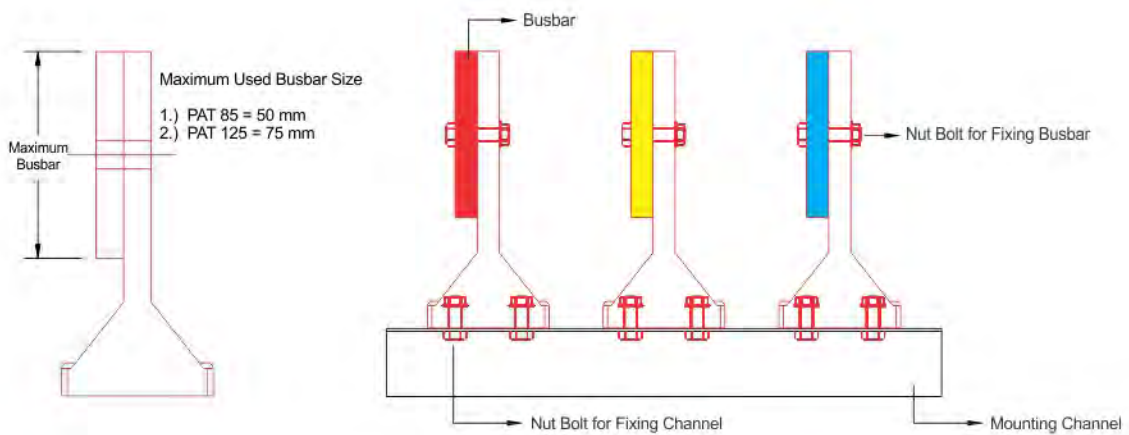
Mounting Detail



Mounting Details of N 22P 411/000

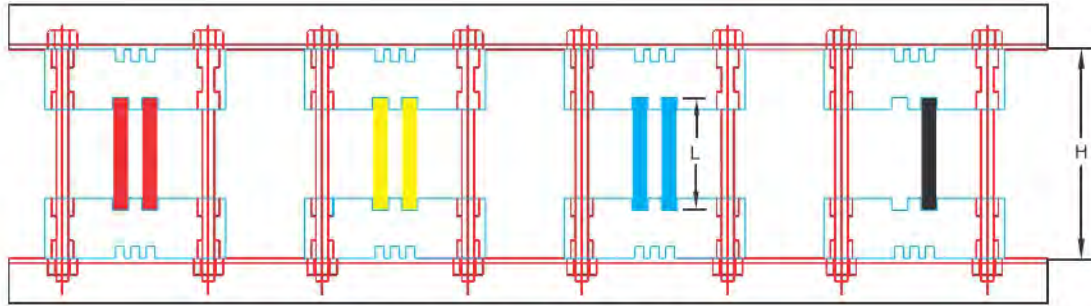
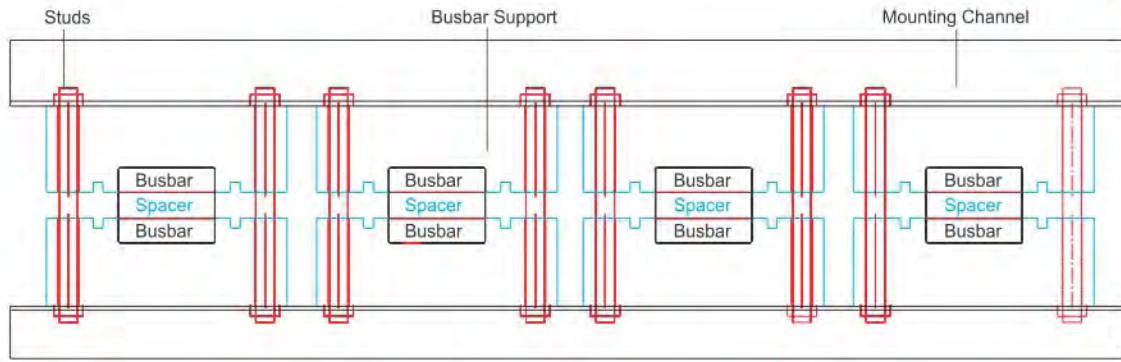


Mounting Details of 132 PAGP Series

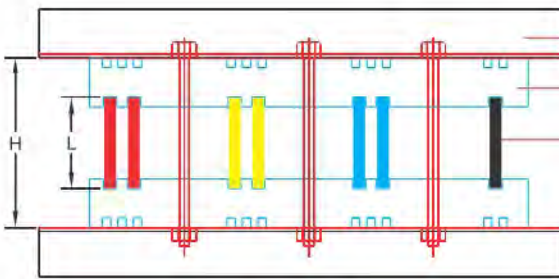


Mounting Details of PAT Series

Mounting Detail



$H = L + 64\text{mm}$ (for 10p, 11p, 12p, 14p Series)
 $H = L + 44\text{mm}$ (for 20p, 21p, 22p, 24p Series)



$H = L + 64\text{mm}$ (for 30p, 31p, 32p, 42p, 43p, 65p Series)
 $H = L + 93\text{mm}$ (for 45p Series)
 $H = L + 54\text{mm}$ (for 60p, 61p, 62p Series)

L = Bus Bar Length

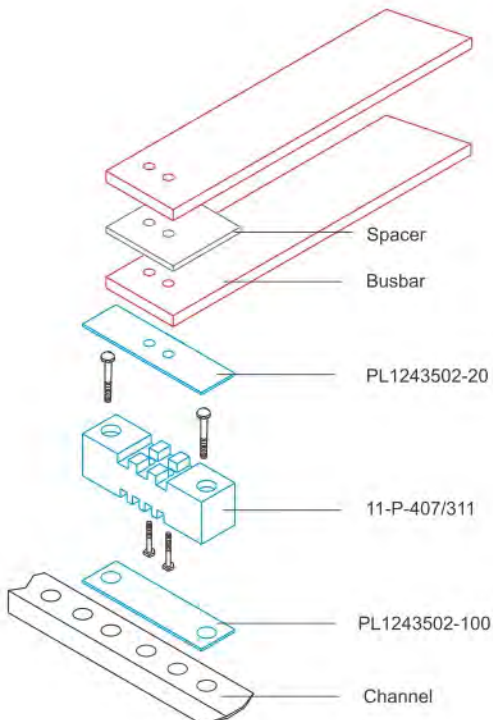
Standard Bolt Tightening Torque as per DIN / ISO Standard

Bolt Size, Metric	Pitch, mm	Bolt Grades (N-m)		
		4.6	6.8	8.8
M 4	0.7	0.95	1.90	2.50
M 5	0.8	2.25	4.55	6.09
M 6	1.0	3.90	7.85	10.5
M 8	1.25	9.45	18.9	25.3
M 10	1.5	19.0	38.0	50.9
M 12	1.75	32.0	65.0	87.0
M 16	2.0	80.0	160	213
M 20	2.5	156	310	415
M 22	2.5	210	420	563

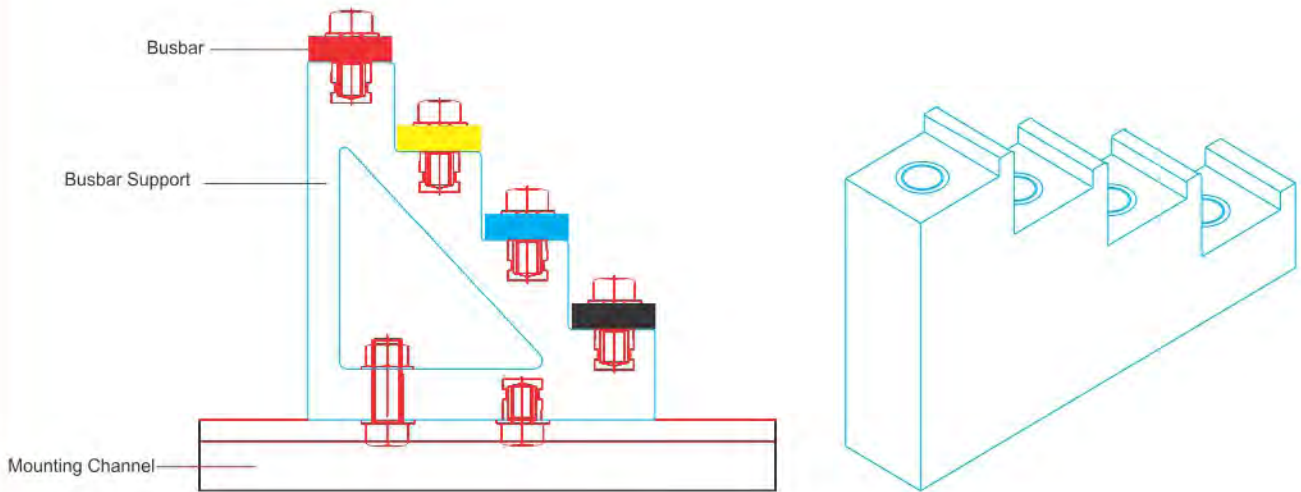
* Recommended Torque value should be 20% less than standard torque value taking factor of safety into consideration.

Insert Material & Grade

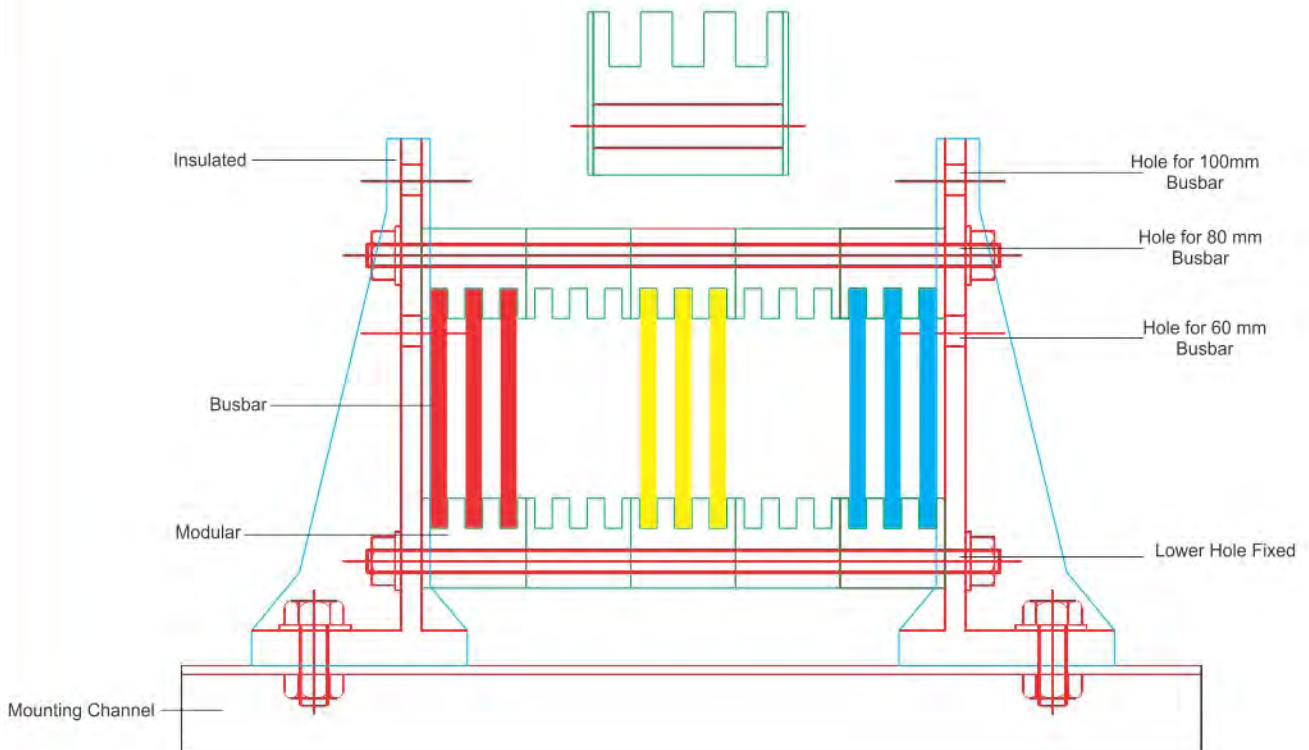
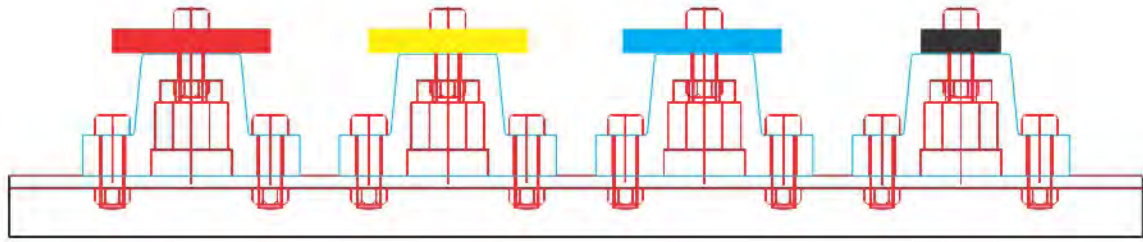
Material	Grade
Mild Steel (MS)	EN1AL
Aluminium Alloy (Al)	6061 - T6
Brass (B)	BS EN12164 CW 614N
Stainless Steel (SS)	303L



Mounting Detail



30, 40, 50 Series



POWERMAT is committed to deliver zero-defect products to our customers

- **Dedicated to Excellence:** A full-service manufacturer of electrical insulation products, committed to delivering superior, industry-specific solutions.
- **Skilled Workforce:** A highly trained team, including Six Sigma Black Belt-certified professionals, excelling in comprehensive Quality Control Programs.
- **Continuous Improvement:** Leveraging a Total Quality Management (TQM) approach to drive consistent enhancements.
- **On-Time Delivery:** Ensuring seamless fulfilment of customer demands through Just-In-Time (JIT) delivery.
- **Advanced Engineering:** Providing state-of-the-art product design and prototyping services.
- **Innovation at Its Core:** Consistently pioneering engineering solutions tailored to optimize functionality and end-use performance.
- **Project Management Excellence:** A specialized team with PMI-certified professionals dedicated to handling complex development projects effectively.
- **Environmental Sustainability:** An expert team focused on conducting environmental impact studies and implementing strategies to reduce carbon footprints.
- **Rapid Response Capabilities:** Equipped with advanced tooling facilities to respond swiftly to customer requirements.
- **Precision Testing:** Deploying cutting-edge computerized testing equipment for meticulous evaluation of raw materials and finished products.
- **Expert Consultancy:** Delivering specialized expertise in the application of Bus Bar Supports within Power Control Centres and Bus Ducts under fault-level conditions.
- **Customer-Centric Service:** Committed to exceptional service with On time deliveries, reliability, and a focus on customer satisfaction.



**UNIT - II
BAHADURGARH (HARYANA)**

POWERMAT
Global Commitment



One of the largest LT insulator manufacturing company in the world

Unit - I (Bahadurgarh)

❖ Total Area : 6500 sqm

Corporate Office (Delhi)

❖ Total Area : 147 sqm

Unit - II (Bahadurgarh)

❖ Total Area : 22,575 sqm

❖ Total Manpower : 300

Certificates :

❖ ISO, UL, CE, RoHS, REACH



- ❖ Own Design Department with product and mould design facilities
- ❖ Own tool room with CNC machines for developing new moulds
- ❖ Own Lab & Test facilities for Mechanical, Electrical, Flammability tests.
- ❖ Manufacturing facilities include:
 - Compression Moulding
 - Epoxy Moulding
 - Injection Moulding
 - Resin Casting
 - Pultrusion
 - Metal Machining

**UNIT - I
BAHADURGARH (HARYANA)**





DISTRIBUTOR :

POWERCAM ELECTRICALS PVT. LTD.

Corporate Office :

F-9, Shopping Centre-1, Mansarovar Garden, New Delhi - 110015 (INDIA)

Tel. : +91-11-25116836 / 41421589

Unit I :

Plot No. : 9, 11, 12, 63 to 67, M.I.E.,
Bahadurgarh - 124507, Haryana (INDIA)

Unit II :

Sector-34,
Bahadurgarh Bye-Pass Road,
Bahadurgarh-124508
District-Jhajjar, Haryana-124508 (INDIA)

E-mail : powermat@powermatindia.com • Web : www.powermatindia.com

