



Veraizen® Earthing

Earthing Solutions

EARTHING & LIGHTNING SOLUTIONS



Earthing and Lightning Protection

Earth Rods, Earth Electrodes, Conventional Lightning Arrester, Earth Inspection Pit, Air Terminal, Conductors & all Accessories



Installation

Delivering hassle-free installation with skilled workmanship, advanced techniques, and a commitment to long-term reliability.



Manufacturing

We have expertise in manufacturing safe Earthing & lightning products, Accessories and Electrical Grounding Services.



Earthing Solutions

Specializing in innovative earthing solutions designed to protect people, equipment, and infrastructure



Expand Your Horizons with Veraizen.



Hazardous Area Classification

It's a systematic process of identifying and classifying areas within a facility where flammable gases, vapors, or combustible dusts may be present in concentrations high enough to create a fire or explosion hazard. This classification helps in selecting appropriate equipment and implementing safety measures to minimize the risk of incidents.

Lightning Protection Risk Surveys

Assessment of structures to evaluate lightning risk and design effective protection systems in line with safety standards.

Power Quality Solutions / Harmonic Analysis

Detection and correction of power disturbances such as voltage dips, harmonics, and transients to ensure stable and efficient system performance

Earthing & Ground Grid Testing

- ✓ G.I.T. – Grid Integrity Test
- ✓ R.I.T. – Riser Integrity Test
- ✓ E.O.C. – Effect of Corrosion
- ✓ S.R.T. – Soil Resistivity Test

Comprehensive evaluation of earthing systems to ensure safe fault current dissipation, system integrity, and long-term performance under all soil conditions.

Electrical Safety Solutions

Inspection and assessment services to identify electrical hazards, ensure compliance, and enhance operational safety.

Energy Audit

Systematic analysis of energy consumption to identify inefficiencies, reduce costs, and enhance overall energy performance

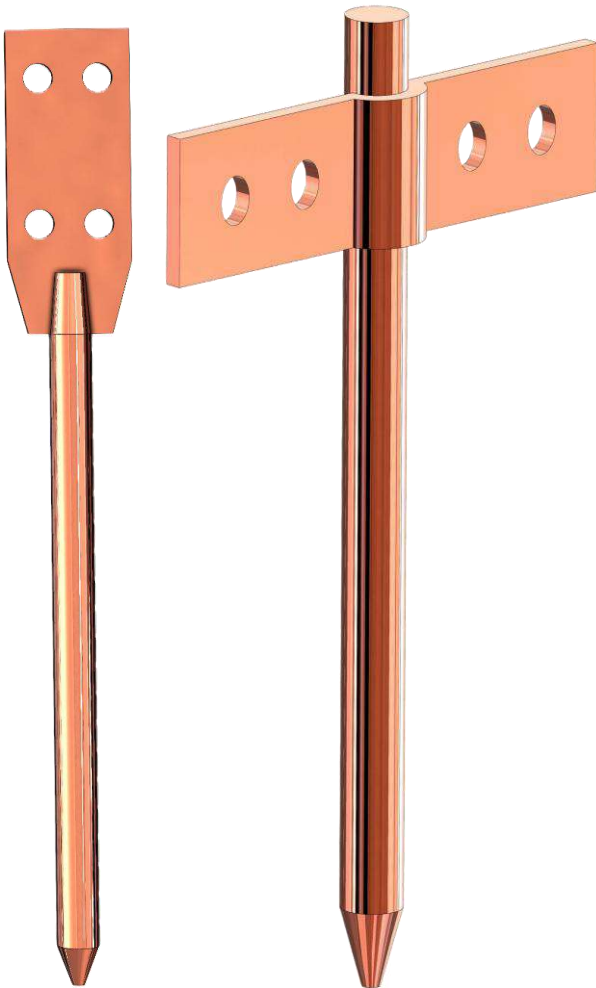
Whether it's testing, auditing, or safety compliance—Veraizen Earthing is your trusted partner for dependable, end-to-end electrical solutions.



tech@veraizen.com

Copper Bonded Earth Rod

Copper Bonded Earth Rods with Welded Clamp have a core of high tensile low carbon steel with each rod made by molecularly bonding 99.9% Pure Electrolytic Copper. They are easy to install and directly can be connected with conductor. Copper Coating ranges from 15 to 254 micron's (µm).



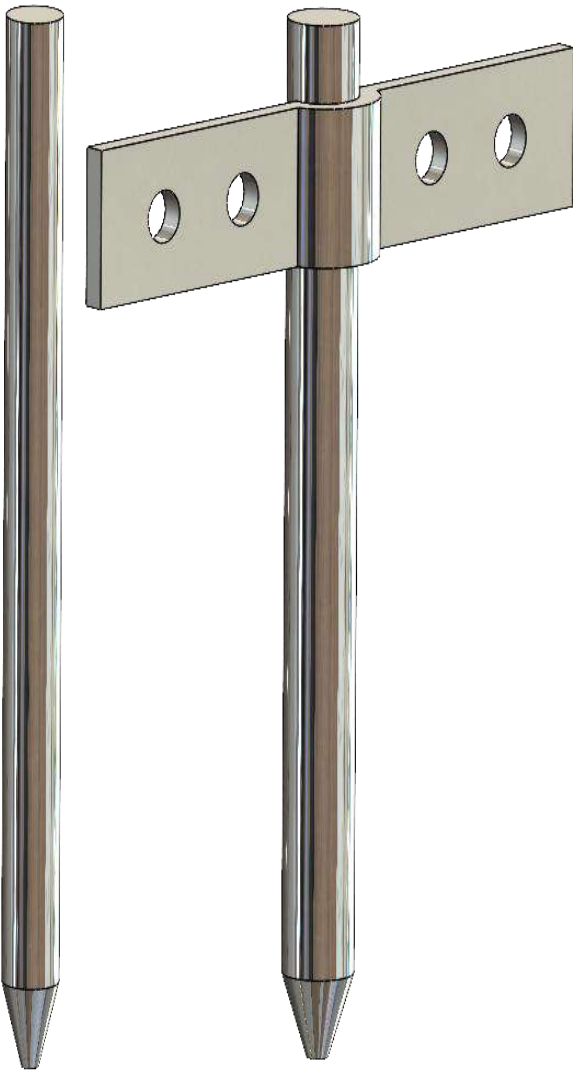
Copper Bonded Earth Rod		
Rod Dia (mm)	Total Length (mm)	Part No.
14.2	1000	VCBR141Z
14.2	2000	VCBR142Z
14.2	3000	VCBR143Z
16	1000	VCBR161Z
16	2000	VCBR162Z
16	3000	VCBR163Z
17.2	1000	VCBR171Z
17.2	2000	VCBR172Z
17.2	3000	VCBR173Z
20	1000	VCBR201Z
20	2000	VCBR202Z
20	3000	VCBR203Z
25	1000	VCBR251Z
25	2000	VCBR252Z
25	3000	VCBR253Z
32	1000	VCBR321Z
32	2000	VCBR322Z
32	3000	VCBR323Z
38	1000	VCBR381Z
38	2000	VCBR382Z
38	3000	VCBR383Z
40	1000	VCBR401Z
40	2000	VCBR402Z
40	3000	VCBR403Z

*Sizes can be customized

HDG GI Rod

An HDG (Hot Dip Galvanized) rod is a corrosion-resistant grounding electrode made from galvanized iron.

The rod undergoes a hot-dip galvanization process, wherein it is immersed in molten zinc to form a protective zinc coating. GI Coating ranges from 86 to 100 micron's (μm).

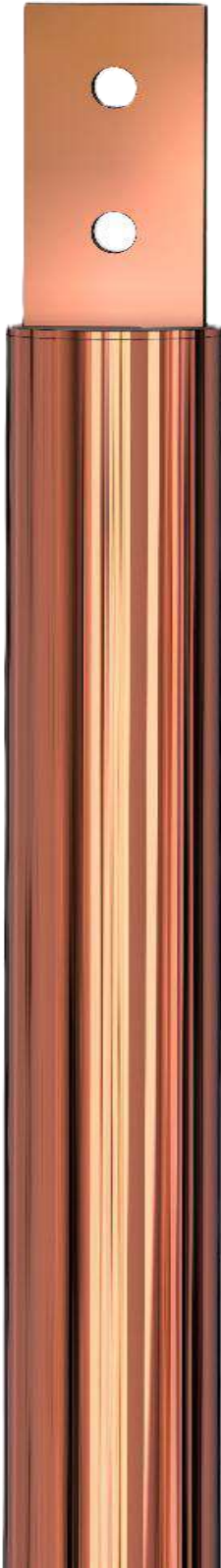


HDG GI Rod		
Rod Dia (mm)	Total Length (mm)	Part No.
12	2000	VHDGR1220Z
12	2400	VHDGR1224Z
12	3000	VHDGR1230Z
14	2000	VHDGR1420Z
14	2400	VHDGR1424Z
14	3000	VHDGR1430Z
16	2000	VHDGR1620Z
16	2400	VHDGR1624Z
16	3000	VHDGR1630Z
17	2000	VHDGR1720Z
17	2400	VHDGR1724Z
17	3000	VHDGR1730Z
19	2000	VHDGR1920Z
19	2400	VHDGR1924Z
19	3000	VHDGR1930Z
25	2000	VHDGR2520Z
25	2400	VHDGR2524Z
25	3000	VHDGR2530Z
32	2000	VHDGR3220Z
32	2400	VHDGR3224Z
32	3000	VHDGR3230Z
38	2000	VHDGR3820Z
38	2400	VHDGR3824Z
38	3000	VHDGR3830Z
40	2000	VHDGR4020Z
40	2400	VHDGR4024Z
40	3000	VHDGR4030Z

*Sizes can be customized

Copper Bonded Strip in Pipe Electrode & Copper Bonded Pipe in Pipe Electrode

A Copper Bonded Pipe Strip in Electrode & Copper Bonded Pipe in Pipe Electrode is made from a steel core coated with a layer of high-conductivity copper. This combination provides excellent corrosion resistance and enhanced electrical conductivity. Copper Coating ranges from 15 to 254 micron's (μm).



Copper Bonded Pipe In Pipe Electrode			
Pipe Dia (mm)	Inner Pipe (mm)	Total Length (mm)	Part No.
48	25	1000	VCBPP4810Z
48	25	1200	VCBPP4812Z
48	25	1500	VCBPP4815Z
48	25	2000	VCBPP4820Z
48	25	3000	VCBPP4830Z
76	48	1000	VCBPP7610Z
76	48	1200	VCBPP7612Z
76	48	1500	VCBPP7615Z
76	48	2000	VCBPP7620Z
76	48	3000	VCBPP7630Z
88	60	1000	VCBPP8810Z
88	60	1200	VCBPP8812Z
88	60	1500	VCBPP8815Z
88	60	2000	VCBPP8820Z
88	60	3000	VCBPP8830Z

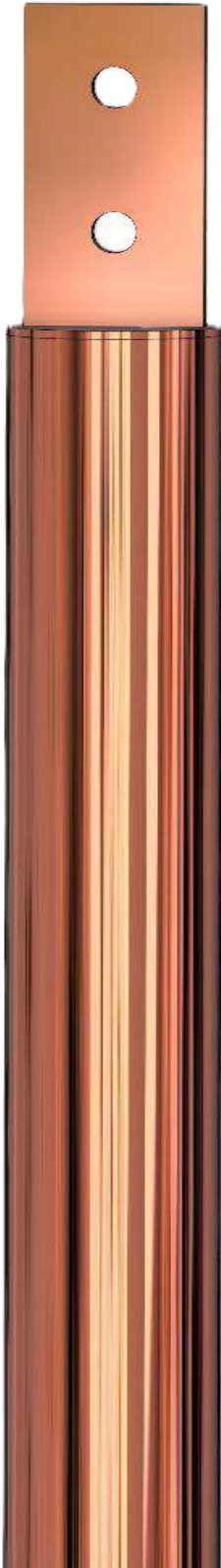
*Sizes can be customized

Copper Bonded Strip In Pipe Electrode		
Pipe Dia (mm)	Total Length (mm)	Part No.
48	1000	VCBP4810Z
48	1200	VCBP4812Z
48	1500	VCBP4815Z
48	2000	VCBP4820Z
48	3000	VCBP4830Z
76	1000	VCBP7610Z
76	1200	VCBP7612Z
76	1500	VCBP7615Z
76	2000	VCBP7620Z
76	3000	VCBP7630Z
88	1000	VCBP8810Z
88	1200	VCBP8812Z
88	1500	VCBP8815Z
88	2000	VCBP8820Z
88	3000	VCBP8830Z

*Sizes can be customized

Pure Copper Strip in Pipe Electrode & Pure Copper Pipe in Pipe Electrode

A Pure Copper Strip in Pipe Electrode & Pure Copper Pipe in Pipe Electrode is a specialized earthing component made entirely of high-conductivity copper. It has a super corrosion resistance, due to purity of the copper.



Pure Copper Pipe In Pipe Electrode			
Pipe Dia (mm)	Inner Pipe (mm)	Total Length (mm)	Part No.
50	25	1000	VPCPP5010Z
50	25	1200	VPCPP5012Z
50	25	1500	VPCPP5015Z
50	25	2000	VPCPP5020Z
50	25	3000	VPCPP5030Z
76	50	1000	VPCPP7610Z
76	50	1200	VPCPP7612Z
76	50	1500	VPCPP7615Z
76	50	2000	VPCPP7620Z
76	50	3000	VPCPP7630Z
88	60	1000	VPCPP8810Z
88	60	1200	VPCPP8812Z
88	60	1500	VPCPP8815Z
88	60	2000	VPCPP8820Z
88	60	3000	VPCPP8830Z

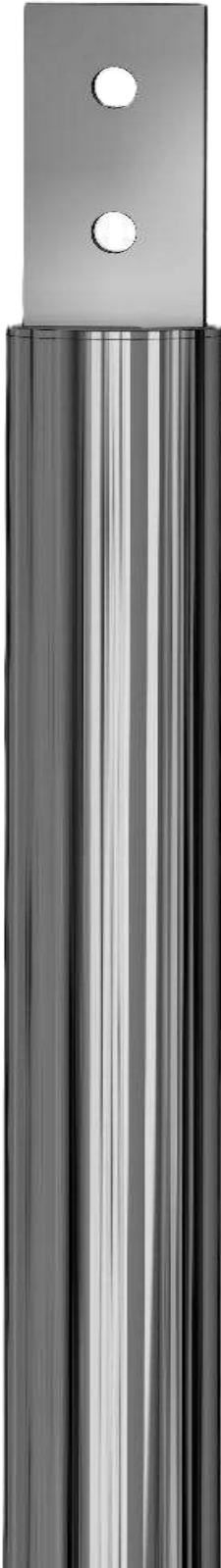
*Sizes can be customized

Pure Copper Strip In Pipe Electrode		
Pipe Dia (mm)	Total Length (mm)	Part No.
50	1000	VPCP5010Z
50	1200	VPCP5012Z
50	1500	VPCP5015Z
50	2000	VPCP5020Z
50	3000	VPCP5030Z
76	1000	VPCP7610Z
76	1200	VPCP7612Z
76	1500	VPCP7615Z
76	2000	VPCP7620Z
76	3000	VPCP7630Z
88	1000	VPCP8810Z
88	1200	VPCP8812Z
88	1500	VPCP8815Z
88	2000	VPCP8820Z
88	3000	VPCP8830Z

*Sizes can be customized

HOT DIP GI Strip in Pipe Electrode & HOT DIP GI Pipe in Pipe Electrode

A HOT DIP GI Strip in Pipe Electrode is a type of earthing electrode made from iron pipe that has undergone hot-dip galvanization. This process enhances the pipe's corrosion resistance and durability by immersing it in molten zinc. GI Coating ranges from 86 to 100 micron's (μm).



Hot Dip GI Pipe In Pipe Electrode			
Pipe Dia (mm)	Inner Pipe (mm)	Total Length (mm)	Part No.
48	25	1000	VHDGPP4810Z
48	25	1200	VHDGPP4812Z
48	25	1500	VHDGPP4815Z
48	25	2000	VHDGPP4820Z
48	25	3000	VHDGPP4830Z
76	48	1000	VHDGPP7610Z
76	48	1200	VHDGPP7612Z
76	48	1500	VHDGPP7615Z
76	48	2000	VHDGPP7620Z
76	48	3000	VHDGPP7630Z
88	60	1000	VHDGPP8810Z
88	60	1200	VHDGPP8812Z
88	60	1500	VHDGPP8815Z
88	60	2000	VHDGPP8820Z
88	60	3000	VHDGPP8830Z

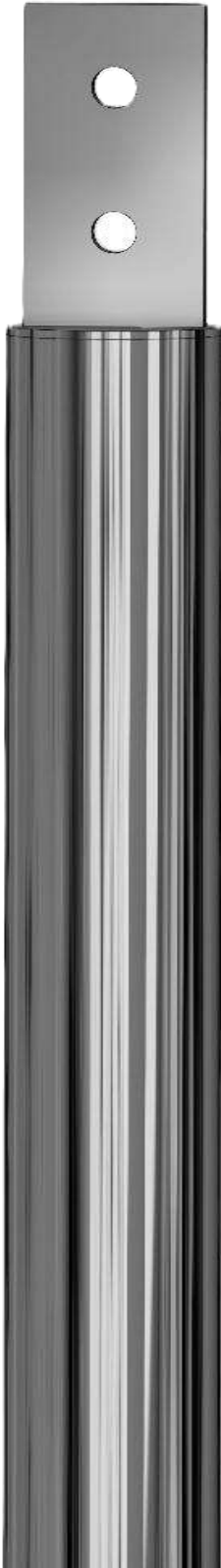
*Sizes can be customized

Hot Dip GI Strip In Pipe Electrode		
Pipe Dia (mm)	Total Length (mm)	Part No.
48	1000	VHDGP4810Z
48	1200	VHDGP4812Z
48	1500	VHDGP4815Z
48	2000	VHDGP4820Z
48	3000	VHDGP4830Z
76	1000	VHDGP7610Z
76	1200	VHDGP7612Z
76	1500	VHDGP7615Z
76	2000	VHDGP7620Z
76	3000	VHDGP7630Z
88	1000	VHDGP8810Z
88	1200	VHDGP8812Z
88	1500	VHDGP8815Z
88	2000	VHDGP8820Z
88	3000	VHDGP8830Z

*Sizes can be customized

GI Strip in Pipe Electrode & GI Pipe in Pipe Electrode

A GI Pipe Electrode is a type of earthing electrode made from iron pipe that has undergone electroplating. This process enhances the pipe's corrosion resistance and durability by plating with zinc. GI Coating ranges from 20 to 50 micron's (μm).



GI Pipe In Pipe Electrode			
Pipe Dia (mm)	Inner Pipe (mm)	Total Length (mm)	Part No.
48	25	1000	VGIPP4810Z
48	25	1200	VGIPP4812Z
48	25	1500	VGIPP4815Z
48	25	2000	VGIPP4820Z
48	25	3000	VGIPP4830Z
76	48	1000	VGIPP7610Z
76	48	1200	VGIPP7612Z
76	48	1500	VGIPP7615Z
76	48	2000	VGIPP7620Z
76	48	3000	VGIPP7630Z
88	60	1000	VGIPP8810Z
88	60	1200	VGIPP8812Z
88	60	1500	VGIPP8815Z
88	60	2000	VGIPP8820Z
88	60	3000	VGIPP8830Z

*Sizes can be customized



GI Strip In Pipe Electrode		
Pipe Dia (mm)	Total Length (mm)	Part No.
48	1000	VGIP4810Z
48	1200	VGIP4812Z
48	1500	VGIP4815Z
48	2000	VGIP4820Z
48	3000	VGIP4830Z
76	1000	VGIP7610Z
76	1200	VGIP7612Z
76	1500	VGIP7615Z
76	2000	VGIP7620Z
76	3000	VGIP7630Z
88	1000	VGIP8810Z
88	1200	VGIP8812Z
88	1500	VGIP8815Z
88	2000	VGIP8820Z
88	3000	VGIP8830Z

*Sizes can be customized

Copper Bonded Earth Rod (Threaded)

Copper Bonded Earth Rods have a core of high tensile low carbon steel with each rod made by molecularly bonding 99.9% Pure Electrolytic Copper. Threads on the rods are normally formed by a roll threading process giving strength to the threads & eliminating risk of chipping of threads while driving the rod into the ground.

Copper Coating ranges from 15 to 254 micron's (µm).



Copper Bonded Earth Rod (Threaded)			
Rod Dia (mm)	Thread Size (Inch)	Total Length (mm)	Part No.
12.7	1/2"	1000	VCBT1271/021Z
12.7	1/2"	2000	VCBT1271/022Z
12.7	1/2"	2400	VCBT1271/023Z
12.7	1/2"	3000	VCBT1271/024Z
12.7	9/16"	1000	VCBT1279/161Z
12.7	9/16"	2000	VCBT1279/162Z
12.7	9/16"	2400	VCBT1279/163Z
12.7	9/16"	3000	VCBT1279/164Z
14.2	5/8"	1000	VCBT1425/081Z
14.2	5/8"	2000	VCBT1425/082Z
14.2	5/8"	2400	VCBT1425/083Z
14.2	5/8"	3000	VCBT1425/084Z
16	5/8"	1000	VCBT1605/081Z
16	5/8"	2000	VCBT1605/082Z
16	5/8"	2400	VCBT1605/083Z
16	5/8"	3000	VCBT1605/084Z
17.2	3/4"	1000	VCBT1723/041Z
17.2	3/4"	2000	VCBT1723/042Z
17.2	3/4"	2400	VCBT1723/043Z
17.2	3/4"	3000	VCBT1723/044Z
19	3/4"	1000	VCBT1903/041Z
19	3/4"	2000	VCBT1903/042Z
19	3/4"	2400	VCBT1903/043Z
19	3/4"	3000	VCBT1903/044Z
25	1"	1000	VCBT2501/011Z
25	1"	2000	VCBT2501/012Z
25	1"	2400	VCBT2501/013Z
25	1"	3000	VCBT2501/014Z
32	1 1/4"	1000	VCBT3201/001Z
32	1 1/4"	2000	VCBT3201/002Z
32	1 1/4"	2400	VCBT3201/003Z
32	1 1/4"	3000	VCBT3201/004Z
38	1 1/2"	1000	VCBT3821/301Z
38	1 1/2"	2000	VCBT3821/302Z
38	1 1/2"	2400	VCBT3821/303Z
38	1 1/2"	3000	VCBT3821/304Z

*Sizes can be customized

Copper Bonded Earth Rod (Un-Threaded)

Copper Bonded Earth Rods have a core of high tensile low carbon steel with each rod made by molecularly bonding 99.9% Pure Electrolytic Copper.

Copper Coating ranges from 15 to 254 micron's (μm).



Copper Bonded Earth Rod (Un-Threaded)		
Rod Dia (mm)	Total Length (mm)	Part No.
12.7	1000	VCBUT12710Z
12.7	2000	VCBUT12720Z
12.7	2400	VCBUT12724Z
12.7	3000	VCBUT12730Z
14.2	1000	VCBUT14210Z
14.2	2000	VCBUT14220Z
14.2	2400	VCBUT14224Z
14.2	3000	VCBUT14230Z
16	1000	VCBUT16010Z
16	2000	VCBUT16020Z
16	2400	VCBUT16024Z
16	3000	VCBUT16030Z
17.2	1000	VCBUT17210Z
17.2	2000	VCBUT17220Z
17.2	2400	VCBUT17224Z
17.2	3000	VCBUT17230Z
19	1000	VCBUT19010Z
19	2000	VCBUT19020Z
19	2400	VCBUT19024Z
19	3000	VCBUT19030Z
25	1000	VCBUT25010Z
25	2000	VCBUT25020Z
25	2400	VCBUT25024Z
25	3000	VCBUT25030Z
32	1000	VCBUT32010Z
32	2000	VCBUT32020Z
32	2400	VCBUT32024Z
32	3000	VCBUT32030Z
38	1000	VCBUT38010Z
38	2000	VCBUT38020Z
38	2400	VCBUT38024Z
38	3000	VCBUT38030Z

*Sizes can be customized

*Tested for Impulse Current 100kA 100 kA 10/350 μs

Copper Bonded Earth Rod with Coupler & Driving Head

Copper Bonded Earth Rods have a core of high tensile low carbon steel. Threads on the rods are formed by roll threading process giving extra strength to the threads. One can drive the threaded Sectional Grounding Rod at least 10/20/30/40 feet or more to reach better conductivity of soils.

Copper Coating ranges from 15 to 254 micron's (μm).



Copper Bonded Earth Rod With Coupler & Driving Head			
Rod Dia (mm)	Thread Size (Inch)	Total Length (mm)	Part No.
12.7	1/2"	2000 (1000+1000)	VCBCD1271/0220Z
12.7	1/2"	2400 (1200+1200)	VCBCD1271/0224Z
12.7	1/2"	3000 (1500+1500)	VCBCD1271/0230Z
12.7	9/16"	2000 (1000+1000)	VCBCD1279/1620Z
12.7	9/16"	2400 (1200+1200)	VCBCD1279/1624Z
12.7	9/16"	3000 (1500+1500)	VCBCD1279/1630Z
14.2	5/8"	2000 (1000+1000)	VCBCD1425/0820Z
14.2	5/8"	2400 (1200+1200)	VCBCD1425/0824Z
14.2	5/8"	3000 (1500+1500)	VCBCD1425/0830Z
16	5/8"	2000 (1000+1000)	VCBCD1605/0820Z
16	5/8"	2400 (1200+1200)	VCBCD1605/0824Z
16	5/8"	3000 (1500+1500)	VCBCD1605/0830Z
17.2	3/4"	2000 (1000+1000)	VCBCD1723/0420Z
17.2	3/4"	2400 (1200+1200)	VCBCD1723/0424Z
17.2	3/4"	3000 (1500+1500)	VCBCD1723/0430Z
19	3/4"	2000 (1000+1000)	VCBCD1903/0420Z
19	3/4"	2400 (1200+1200)	VCBCD1903/0424Z
19	3/4"	3000 (1500+1500)	VCBCD1903/0430Z
25	1"	2000 (1000+1000)	VCBCD2501/0120Z
25	1"	2400 (1200+1200)	VCBCD2501/0124Z
25	1"	3000 (1500+1500)	VCBCD2501/0130Z
32	1 1/4"	2000 (1000+1000)	VCBCD3200/2020Z
32	1 1/4"	2400 (1200+1200)	VCBCD3200/2024Z
32	1 1/4"	3000 (1500+1500)	VCBCD3200/2030Z
38	1 1/2"	2000 (1000+1000)	VCBCD3801/0820Z
38	1 1/2"	2400 (1200+1200)	VCBCD3801/0824Z
38	1 1/2"	3000 (1500+1500)	VCBCD3801/0830Z

*Sizes can be customized

Coupler & Driving Head (inch)
1/2"
9/16"
5/8"
3/4"
1"

Pure Copper Earth Rod (Threaded)

Pure Copper Earth Rods are made from high conductivity hard drawn copper. They are ideally suited to soil conditions that are very corrosive, such as soil with high salt & moisture content. Threads on the rods are normally formed by a roll threading process giving strength to the threads & eliminating risk of chipping of threads while driving the rod into the ground.



Pure Copper Earth Rod (Threaded)			
Rod Dia (mm)	Thread Size (Inch)	Total Length (mm)	Part No.
12	1/2"	2000	VPCT121/0220Z
12	1/2"	2400	VPCT121/0224Z
12	1/2"	3000	VPCT121/0230Z
12	9/16"	2000	VPCT129/1620Z
12	9/16"	2400	VPCT129/1624Z
12	9/16"	3000	VPCT129/1630Z
14	5/8"	2000	VPCT145/0820Z
14	5/8"	2400	VPCT145/0824Z
14	5/8"	3000	VPCT145/0830Z
16	5/8"	2000	VPCT165/0820Z
16	5/8"	2400	VPCT165/0824Z
16	5/8"	3000	VPCT165/0830Z
17	3/4"	2000	VPCT173/0420Z
17	3/4"	2400	VPCT173/0424Z
17	3/4"	3000	VPCT173/0430Z
19	3/4"	2000	VPCT193/0420Z
19	3/4"	2400	VPCT193/0424Z
19	3/4"	3000	VPCT193/0430Z
25	1"	2000	VPCT251/0120Z
25	1"	2400	VPCT251/0124Z
25	1"	3000	VPCT251/0130Z
32	1 1/4"	2000	VPCT320/0020Z
32	1 1/4"	2400	VPCT320/0024Z
32	1 1/4"	3000	VPCT320/0030Z
38	1 1/2"	2000	VPCT038/0120Z
38	1 1/2"	2400	VPCT038/0124Z
38	1 1/2"	3000	VPCT038/0130Z

*Sizes can be customized

Pure Copper Earth Rod (Unthreaded)

Pure Copper Earth Rods are manufactured from high-conductivity, hard-drawn pure copper, ensuring excellent electrical performance and long-lasting durability. These rods are specifically engineered for highly corrosive soil environments—especially those with elevated levels of salt and moisture—making them ideal for coastal regions and industrial zones. Their superior corrosion resistance and conductivity ensure reliable and efficient grounding over time.



Pure Copper Earth Rod (Un-Threaded)		
Rod Dia (mm)	Total Length (mm)	Part No.
12	2000	VPCUT1220Z
12	2400	VPCUT1224Z
12	3000	VPCUT1230Z
14	2000	VPCUT1420Z
14	2400	VPCUT1424Z
14	3000	VPCUT1430Z
16	2000	VPCUT1620Z
16	2400	VPCUT1624Z
16	3000	VPCUT1630Z
17	2000	VPCUT1720Z
17	2400	VPCUT1724Z
17	3000	VPCUT1730Z
19	2000	VPCUT1920Z
19	2400	VPCUT1924Z
19	3000	VPCUT1930Z
25	2000	VPCUT2520Z
25	2400	VPCUT2524Z
25	3000	VPCUT2530Z
32	2000	VPCUT3220Z
32	2400	VPCUT3224Z
32	3000	VPCUT3230Z
38	2000	VPCUT3820Z
38	2400	VPCUT3824Z
38	3000	VPCUT3830Z

*Sizes can be customized

Brass Copper Bonded Earth Rod

A brass copper bonded earth rod is a specialized grounding or earthing component used in electrical and telecommunications systems to ensure the safety of the equipment and personnel. It consists of a core made of high-quality copper that provides excellent electrical conductivity, which is essential for effective grounding. This brass core is coated or bonded with a layer of copper, which offers several benefits such as Corrosion Resistance, Enhanced Strength, Electrical Conductivity, Low Maintenance, etc.

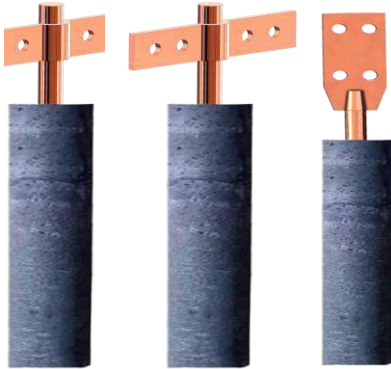


Brass Copper Bonded Earth Rod			
Rod Dia (mm)	Thread Size (Inch)	Total Length (mm)	Part No.
12.7	1/2"	2000	VBCB1271/0220Z
12.7	1/2"	2400	VBCB1271/0224Z
12.7	1/2"	3000	VBCB1271/0230Z
12.7	9/16"	2000	VBCB1279/1620Z
12.7	9/16"	2400	VBCB1279/1624Z
12.7	9/16"	3000	VBCB1279/1630Z
14.2	5/8"	2000	VBCB1425/0820Z
14.2	5/8"	2400	VBCB1425/0824Z
14.2	5/8"	3000	VBCB1425/0830Z
16	5/8"	2000	VBCB1605/0820Z
16	5/8"	2400	VBCB1605/0824Z
16	5/8"	3000	VBCB1605/0830Z
17.2	3/4"	2000	VBCB1723/0420Z
17.2	3/4"	2400	VBCB1723/0424Z
17.2	3/4"	3000	VBCB1723/0430Z
19	3/4"	2000	VBCB1903/0420Z
19	3/4"	2400	VBCB1903/0424Z
19	3/4"	3000	VBCB1903/0430Z
25	1"	2000	VBCB2501/0120Z
25	1"	2400	VBCB2501/0124Z
25	1"	3000	VBCB2501/0130Z
32	1 1/4"	2000	VBCB3200/0020Z
32	1 1/4"	2400	VBCB3200/0024Z
32	1 1/4"	3000	VBCB3200/0030Z
38	1 1/2"	2000	VBCB3800/0020Z
38	1 1/2"	2400	VBCB3800/0024Z
38	1 1/2"	3000	VBCB3800/0030Z
40	1 1/2"	2000	VBCB4004/4020Z
40	1 1/2"	2400	VBCB4004/4024Z
40	1 1/2"	3000	VBCB4004/0030Z

*Sizes can be customized

Conductive Concrete Earth Electrode

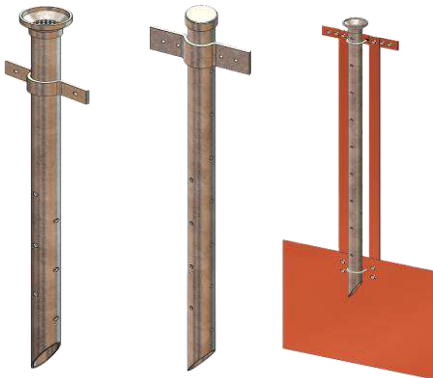
Conductive Concrete is electrically conductive aggregate material. It provides enduring, stable as well as low resistance Earthing solutions that are effective in several complex ground conditions.



Conductive Concrete Earth Electrode		
State	Pre Cast	
Pre Cast Size	75 mm	VCCP075123Z
	80 mm	VCCP080123Z
	100 mm	VCCP100123Z
	150 mm	VCCP150123Z
Conductive Concrete Ratio	2/3	
Cement Ratio	1/3	

GI Funnel Pipe

GI Funnel Pipes made from high-quality galvanized iron ensure durability, long-lasting performance, superior corrosion resistance, and smooth fluid flow for reliable applications.



GI Funnel Pipe		
Material	HDG & GI Pipe	
Pipe Dia	19 mm	VGIFP019123Z
	24 mm	VGIFP024123Z
	48 mm	VGIFP048123Z
	76 mm	VGIFP076123Z
	100 mm	VGIFP100123Z

Ground Enhancing Compound

A moisture-retaining, eco-friendly, and economical solution for earthing electrodes. Free from hazardous chemicals, it requires no future recharging—saving both time and money



Ground Enhancing Compound		
State	Dry	
Colour	Greyish Black	
Electrical Resistivity	0.2 Ω.m	
Standard	IEC 62561-7:2018	
Weight	15 kgs	VGEC15Z
	25 kgs	VGEC25Z

Bentonite Moisture Retaining Clay

Bentonite is a sodium activated montmorillonite which, when mixed with water, swells to many times its dry volume. This enables moisture to be absorbed from the surrounding soil (e.g. rainfall), solving any soil to earth rod contact problems.



Bentonite Moisture Retaining Clay		
State	Dry	
Colour	Yellowish Brown	
Weight	25 kgs	VBMR25Z
	50 kgs	VBMR50Z

Soil Conditioning Gel

A water-retentive, eco-friendly gel that improves soil moisture, enhances root development, and boosts plant growth. Long-lasting and non-toxic, it reduces watering needs while maintaining soil health.



Soil Conditioning Gel	
State	Wet
Colour	Greenish
pH value	4.92
Conductivity	109400 us/cm
Weight	5 Litres
Part No.	VSCG5LZ

Exothermic Welding Powder

Exothermic Welding Products includes powder-based welding substances, welding tools and accessories. All these products are required for effective joining of lightning protection or earthing protection conductors permanently.

Exothermic Welding Powder	
Part No.	VEWP50Z



Driving Head

Driving Heads protect the internal thread and top of the Earth Rod whilst the rods are driven into the ground



Driving Head		
Material	SS & Hardened Steel	
Suiability	12.7 mm	VDH127Z
	14.2 mm	VDH142Z
	16 mm	VDH160Z
	17.2 mm	VDH172Z
	19 mm	VDH190Z
	20 mm	VDH200Z
	25 mm	VDH250Z
	32 mm	VDH320Z
38 mm	VDH380Z	

Driving Spike

Driving Spikes enable Earth Rods to be driven easily into the ground while protecting the rod end from damage



Driving Spike		
Material	SS & Hardened Steel	
Suiability	12.7 mm	VDS127Z
	14.2 mm	VDS142Z
	16 mm	VDS160Z
	17.2 mm	VDS172Z
	19 mm	VDS190Z
	20 mm	VDS200Z
	25 mm	VDS250Z
	32 mm	VDS320Z
38 mm	VDS380Z	

Coupling Dowel

Coupling Dowels are used to join inner threaded Earth Rods.



Coupling Dowel	
Material	SS, Hardened Steel & Copper
Dia (mm)	8 / 10 mm
Length (mm)	40 mm
Part No.	VCD10Z
Part No.	VCD08Z

Lightning Arrester Multi Points

Multi Points are designed to be used with the Elevation Rod and provide a traditional aesthetic appearance

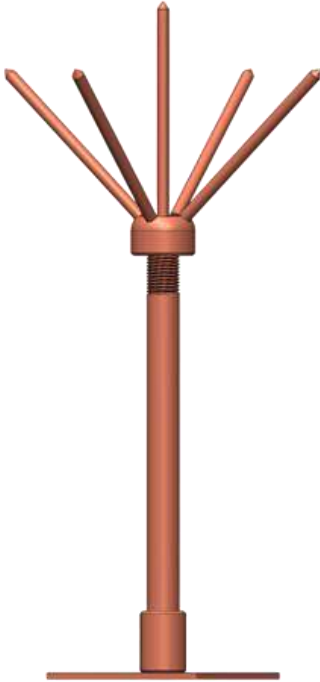


*Sizes can be customized

Lightning Arrester Multi Points		
Material	Brass & Copper	
Dia (mm)	14 mm	VLACBC14Z
	16 mm	VLACBC16Z
Length (mm)	1000 - 3000 mm	

Copper Bonded Lightning Arrester

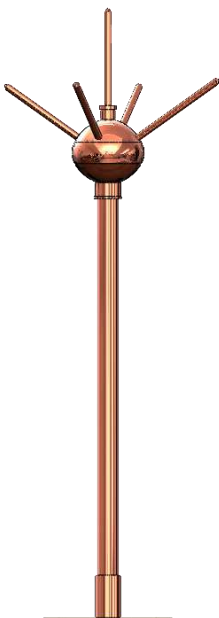
A Copper Bonded Lightning Arrester comprises a copper core coated onto a steel core for conductivity and strength. Ensuring safe dissipation of lightning current and protection of electrical systems from damage.



Copper Bonded Lightning Arrester				
Ball Dia (mm)	Rod Length (mm)	Rod OD (mm)	No. of Spikes	Part No.
30	1000	14	5	VCBLA10Z
30	1200	14	5	VCBLA12Z
30	2000	14	5	VCBLA20Z
30	3000	14	5	VCBLA30Z

Pure Copper Lightning Arrester

A Copper Lightning Spike Arrester mounted on top of a building and electrically connected to the ground through a wire or earthing copper strips, to protect the building in the event of a lightning strike



Pure Copper Lightning Arrester				
Ball Dia (mm)	Pipe Length (Inch)	Pipe OD (mm)	No. of Spikes	Part No.
42	1200	25	5	VPCLA042Z
62	1200	25	5	VPCLA062Z
85	1200	25	5	VPCLA085Z
100	1200	25	5	VPCLA100Z
150	1200	25	5	VPCLA150Z

ESE Lightning Arrester

Early Streamer Emission (ESE) Lightning Arresters provide advanced protection by emitting a triggering impulse to capture lightning strikes earlier than conventional systems. Designed for wide-area coverage, they offer enhanced safety for buildings, structures, and open spaces. Made from corrosion-resistant materials, ESE arresters ensure long-lasting and reliable performance in all weather conditions



VESE2100Z



VESE2200Z

ESE Air Terminal	
Type of Terminal	Electroatmospheric
Standard	NFC 17-102/2011
Current Withstand	10/350 μ s – 100 & 200 kA
Material	SS316L
Part No.	VESE2100Z
Part No.	VESE2200Z

Protection Level				
Protection Radius (meters)				
Height (m)	Level 1	Level 2	Level 3	Level 4
2	32	34	39	43
3	47	52	58	64
4	63	69	78	86
5	79	86	97	107
7	79	87	98	108
9	79	88	99	109
10	79	88	99	109

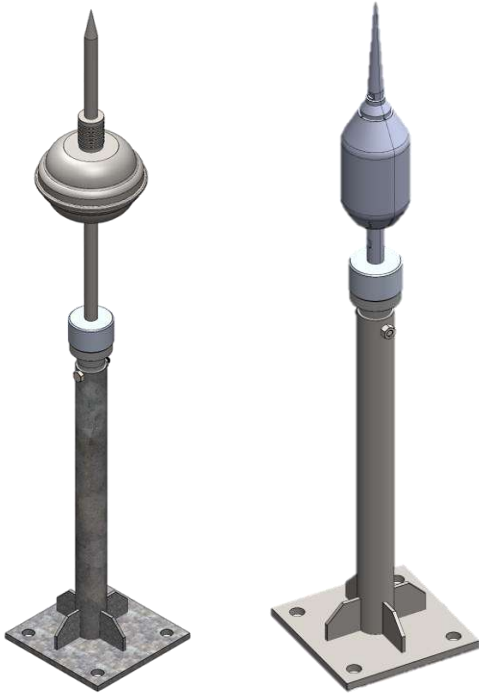
IOT ESE Air Terminal

AT CONTROLLER[®] REMOTE autonomously evaluates its status on a daily basis and sends the result of its self assessment thanks to its IoT (Internet of Things) connectivity. In addition to the daily report, the lightning rod status can be consulted at any time via its M2M (Machine to Machine) communication.



HDG Mast & SS Mast

ESE active air terminal are provided along with complete mounting solution including (GI) or Stainless Steel Pipe with base plate.



HDG Mast	
Elevation Height	1 Mtrs to 9 Mtrs
Dia	48 to 100mm
Material	MS HDG
Wind Speed	150 km/h
Part No.	VHDM48Z

Stainless Steel Mast (SS 304)	
Elevation Height	1 Mtrs to 9 Mtrs
Dia	48 to 100mm
Material	SS 304
Wind Speed	150 km/h
Part No.	VSSM48Z

Digital Lightning Strike Counter

A Digital Lightning Strike Counter is an electronic device that detects and records the number of lightning strikes in a given area. It employs sensors to detect electromagnetic radiation from lightning, providing valuable data for monitoring and assessing the risk of electrical damage, enabling appropriate safety measures.



Smart Digital Lightning Strike Counter

Part No. VZE-SLSC

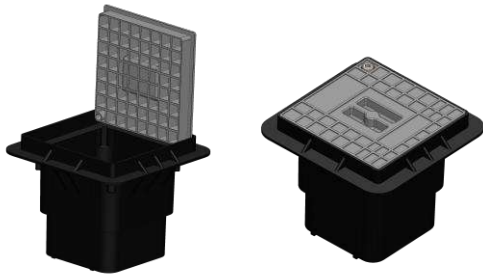


Digital Lightning Strike Counter

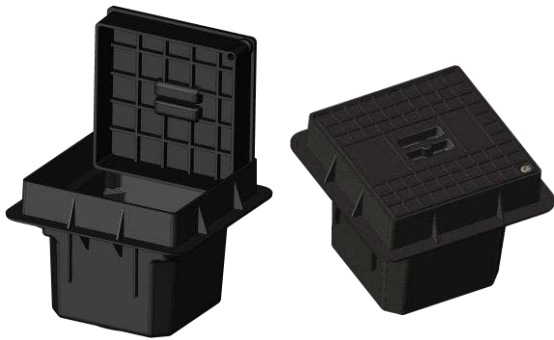
Part No. VZE-DLSC88

Earth Inspection Pit & Cover

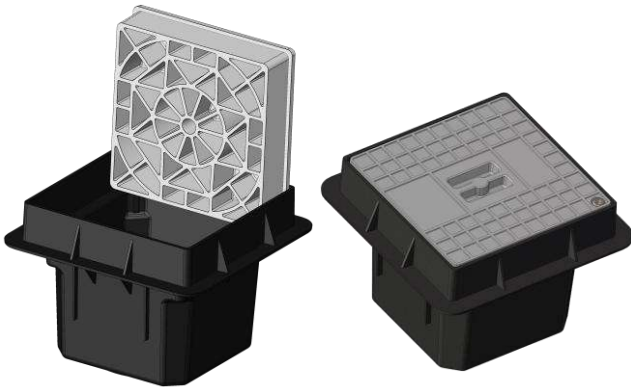
An **Earth Inspection Pit** provides a secure and durable enclosure for earth electrodes, allowing easy access for routine **inspection, maintenance, and testing** of grounding systems. Designed to ensure the reliability and performance of the earthing setup, it plays a vital role in **enhancing electrical safety** and protecting equipment from faults and lightning-related surges. Ideal for both industrial and commercial installations.



Square Earth Pit Chamber Cover	
Length	245 mm
Width	245 mm
Height	195 mm
Material	PP
Load Capacity	3 Tons
Part No.	VHDP200SZ
Standard	IEC 62561:5



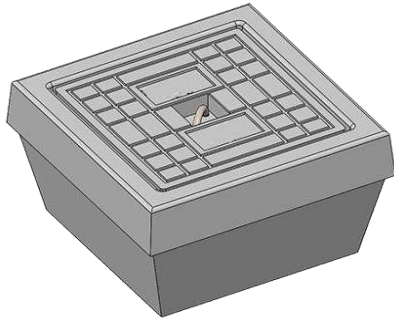
Square Earth Pit Chamber Cover	
Length	310 mm
Width	310 mm
Height	225 mm
Material	PP
Load Capacity	5 Tons
Part No.	VHDP300MZ
Standard	IEC 62561:5



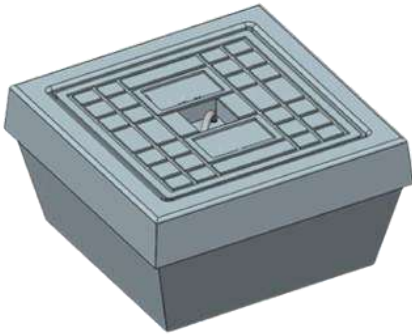
Square Earth Pit Chamber Cover	
Length	310 mm
Width	310 mm
Height	225 mm
Material	PP
Load Capacity	7 Tons
Part No.	VHDP300HZ
Standard	IEC 62561:5



Square Earth Pit Chamber Cover	
Length	500 mm
Width	500 mm
Height	315 mm
Material	PP
Load Capacity	10 Tons
Part No.	VHDP500BZ
Standard	IEC 62561:5



Concrete Chamber Cover	
Length	300 mm
Width	300 mm
Height	170 mm
Material	Concrete
Load Capacity	5 Tons
Standard	IEC 62561:5
Part No.	VRCCCS300Z



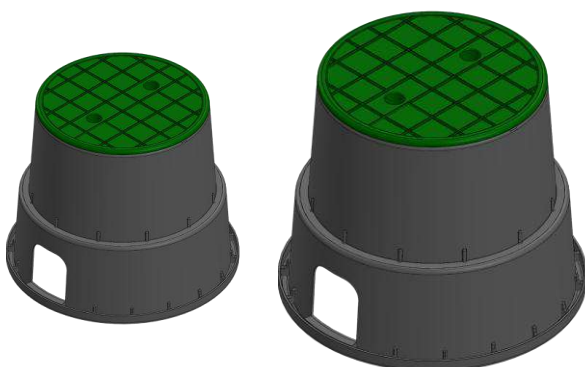
Concrete Chamber Cover	
Length	320 mm
Width	320 mm
Height	190 mm
Material	Concrete
Load Capacity	5 Tons
Standard	IEC 62561:5
Part No.	VRCCCS320Z



Concrete Chamber Cover	
Length	450 mm
Width	450 mm
Height	400 mm
Material	Concrete
Load Capacity	10 & 20 Tons
Standard	IEC 62561:5
Part No.	VRCCCS450Z



MS & CI Cover	
Length	300 / 450 mm
Width	300 / 450 mm
Material	MS & CI Cover
Load Capacity	5 & 10 Tons
Part No.	VRMSCI



PP Round Earth Pit Chamber Cover	
Top Diameter	175/245 mm
Height	240/265 mm
Bottom Diameter	250/330 mm
Material	PP
Load Capacity	3 Tons
Standard	IEC 62561:5
Part No.	VPPRC240Z
	VPPRC265Z

HDG Strip / Flat

Hot-dip galvanized strips/flats provide superior strength and corrosion resistance, making them ideal for earthing, grounding, and industrial applications



HDG Strip/Flat	
Width (mm)	20, 25, 30, 32, 40, 50, 63, 75, & 100
Thickness (mm)	3, 5, 6, 8, 10 & 12
Standard	IS 2062, 4759 & IS-IEC 62305
Coating	Hot Dip Zinc
Microns	86 + micron's (µm)
Length	5 – 6 Mtrs
Part No.	VHDGS20100Z

GI Strip/Flat

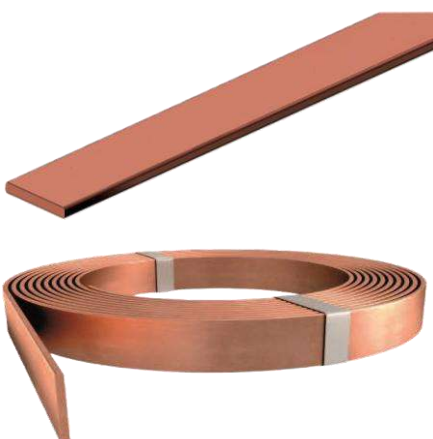
Galvanized iron strips/flats offer durability and corrosion resistance, widely used in earthing, grounding, and various industrial applications



GI Strip/Flat	
Width (mm)	20, 25, 30, 32, 40, 50, 63, 75, & 100
Thickness (mm)	3, 5, 6, 8, 10 & 12
Standard	IS 2062
Coating	Electroplating Zinc
Microns	15 – 20 micron's(µm)
Length	5 – 6 Mtrs
Part No.	VGIS20100Z

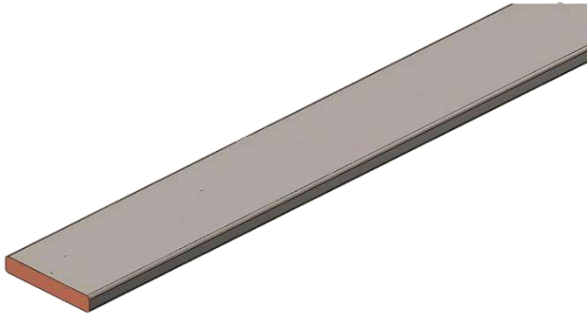
Copper Strip/Flat

High-conductivity copper strips/flats ensure excellent electrical performance, durability, and corrosion resistance for earthing and industrial applications.

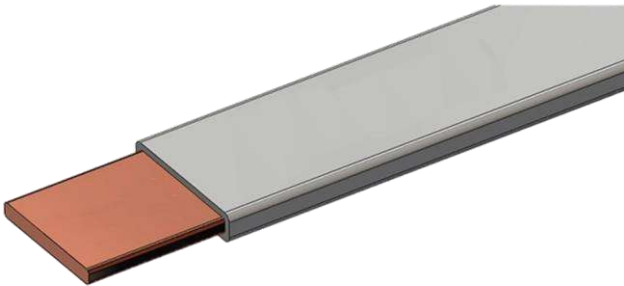


Copper Strip/Flat	
Width (mm)	20, 25, 32, 40, 50, 63, 75, & 100
Thickness (mm)	3, 5, 6, 8, 10 & 12
Standard	IS-IEC 62305
Impulse Current	100 kA 10/350 µs
Grade	High Conductivity Electrolytic (ETP) & Commercial Grade
Standard	IS 191:2007
Part No.	VCUS20100Z

Strip/Flat



Copper Strip/Flat (Tinned)	
Width (mm)	20, 25, 32, 40, 50, 63, 75, & 100
Thickness (mm)	3, 5, 6, 8, 10 & 12
Standard	IS-IEC 62305
Grade	High Conductivity Electrolytic (ETP) & Commercial Grade
Coating	Tin
Part No.	VCUTS20100Z



Copper Strip/Flat With PVC Sleeves	
Width (mm)	20, 25, 32, 40, 50, 63, 75, & 100
Thickness (mm)	3, 5, 6, 8, 10 & 12
Standard	IS-IEC 62305
Grade	High Conductivity Electrolytic (ETP) & Commercial Grade
Part No.	VCUPVCS20100Z
Covered with Fire Resistance (FR) Hot Shrinkable Sleeves for Extra Protection	



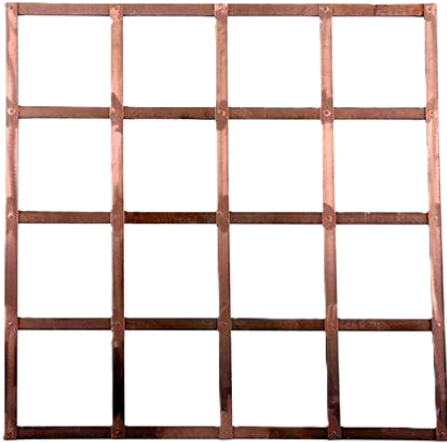
Stainless Steel Strip/Flat	
Width (mm)	20, 25, 30, 32, 40, 50, 63, 75, & 100
Thickness (mm)	3, 5, 6, 8, 10 & 12
Standard	IS-IEC 62305
Grade	304, 304L, 316 & 316L
Part No.	VSSS20100Z



Aluminium Strip/Flat	
Width (mm)	20, 25, 30, 32, 40, 50, 63, 75, & 100
Thickness (mm)	3, 5, 6, 8, 10 & 12
Standard	IS-IEC 62305
Impulse Current	100 kA 10/350 μ s
Grade	High Conductivity Electrolytic (ETP) & Commercial Grade
Part No.	VALS20100Z

Copper Earth Mattice

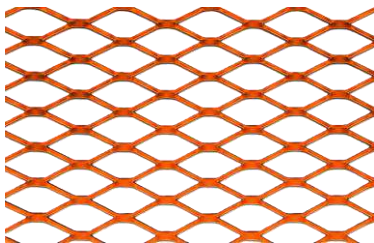
Copper Earth Lattice offer a more economical cost option to installing solid earth copper plates.



Copper Earth Mattice		
Lattice Size (mm)	500x500mm- 10 Strips	VCUM0500102356Z
	600x600mm- 10 Strips	VCUM0600102356Z
	900x900mm- 10 Strips	VCUM0900102356Z
	1000x1000mm- 12 Strips	VCUM1000102356Z
Thickness (mm)	2, 3, 5 & 6 mm	
Standard	IS-IEC 62305	
Grade	High Conductivity Electrolytic (ETP) & Commercial Grade	

Copper Expanded Wire Mesh

Copper Expanded Wire Mesh offer a more continuity than copper earth mattice, as its made by expanding the copper plate.



Copper Expanded Wire Mesh	
Part No.	VCUEWM210Z

Copper Bonded Earth Plate

Engineered for superior conductivity and corrosion resistance, copper bonded earth plates provide reliable and long-lasting performance in earthing applications.



Copper Bonded Earth Plate		
Size	150x150mm	VCBP1501236Z
	300x300mm	VCBP3001236Z
	600x600mm	VCBP6001236Z
Thickness	1, 2, 3 & 6mm	

Copper Earth Plate

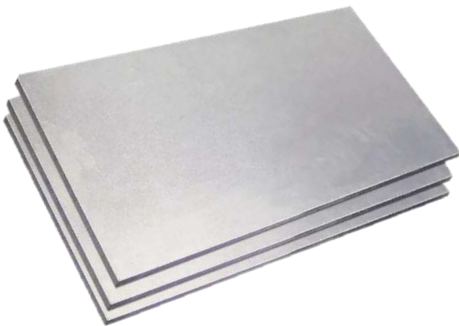
Copper earth plates are ideal for highly corrosive soils with excess salt and moisture. They are commonly used as grounding electrodes where deep driving of rods is difficult.



Copper Earth Plate		
Size (mm)	300x300mm	VCUP030012356Z
	600x600mm	VCUP060012356Z
	1000x1000mm	VCUP100012356Z
Thickness (mm)	1, 1.5, 3, 5 & 6 mm	
Grade	High Conductivity Electrolytic (ETP) & Commercial Grade	

HDG Earth Plate

Made of high-quality steel with a hot-dip galvanized zinc coating, HDG earth plates offer strong corrosion resistance and long-lasting reliability for safe electrical earthing.



HDG Earth Plate		
Size	300x300mm	VHDGP300356Z
	600x600mm	VHDGP600356Z
Thickness	3, 5 & 6mm	

CI Earth Plate

A CI (Cast Iron) Earth Plate is a grounding component crafted from cast iron, serving to establish a secure link to the ground in electrical grounding setups. Good Corrosion resistance. Good thermal conductor.



CI Earth Plate		
Size	275x275mm	VCIP275Z
	400x400mm	VCIP400Z
	600x600mm	VCIP600Z
Finish	Silver	

Copper Wire

Copper wire is often used for earthing due to its high conductivity, effectively channeling excess electrical currents into the ground for safety.



Copper Wire	
Material	Copper
Grade	High Conductivity Electrolytic (ETP) & Commercial Grade
SWG	6, 8, 10, 12, 14, 16, 18 & 20
Finish	Bright Copper
Part No.	VCUW0620Z

GI Wire

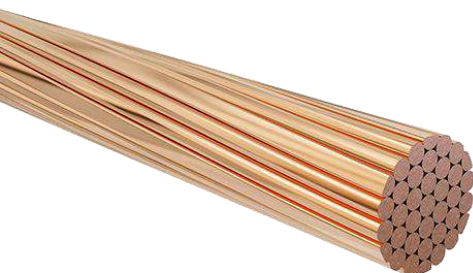
The GI earthing wire offers a cost-effective solution for grounding needs, providing reliable performance.



GI Wire	
Material	Galvanized Iron
SWG	6, 8, 10, 12, 14, 16, 18 & 20
Coating	50 – 120 GSM Hot DIP Galvanized & Electroplating
Finish	Silver
Part No.	VGIW0620Z

Bare Stranded Copper Conductor

Bare Stranded Copper Conductor is suitable for grounding conductors in electrical construction, where high conductivity and flexibility are required. The multiple strands within the conductor also provide a larger surface area for electrical contact, improving conductivity and reducing resistance compared to solid conductors of the same gauge.



Bare Stranded Copper Conductor	
Material	Copper
Conductor Size (mm ²)	6, 10, 16, 25, 35, 50, 70, 95, 120, 150, 185, 240 & 300 mm ²
Part No.	VCUBSCZ
No. of Strands/Wire Dia. in mm	7/1.04, 7/1.4, 7/1.7, 7/2.14, 7/2.52, 19/1.78, 19/2.14, 19/2.52, 37/2.03, 37/2.25, 37/2.52, 61/2.25 & 61/2.50

Air Terminal

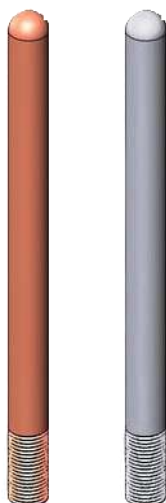
An **Air Terminal** is a critical component of a lightning protection system, designed to intercept lightning strikes and safely direct the energy to the ground. Made from high-conductivity materials, it ensures reliable performance and enhanced safety for buildings and structures.



AL Air Terminal		
Diameter	Ø10mm	VALATB10Z
	Ø16mm	VALATB16Z
	Ø19mm	VALATB19Z
Length	600 – 3000 mm	
Material	Aluminium	
Standard	IS-IEC 62305 / 62561	
Impulse Current	100 kA 10/350 µs	
Base Plate	85 X 85 x 5 mm	
Suitability	Ø8 – 10 mm down conductor	
Usage	Vertical Air terminal for Lightning Protection	



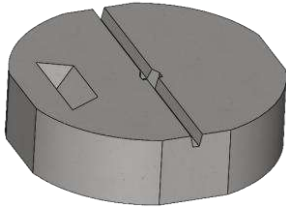
AL Air Terminal With SS Base		
Diameter	Ø10mm	VALATBSS10Z
	Ø16mm	VALATBSS16Z
	Ø19mm	VALATBSS19Z
Length	600 – 3000 mm	
Material	Aluminium	
Standard	IS-IEC 62305 / 62561	
Base Plate	85 X 85 x 5 mm	
Material	Stainless Steel 304	
Suitability	Flat/Strip 25 – 30 mm	
Usage	Vertical Air terminal for Lightning Protection	



Copper & SS Air Terminal		
Diameter	Ø10mm	VCUAT10Z
	Ø16mm	VCUAT16Z
	Ø10mm	VSSAT10Z
	Ø16mm	VSSAT16Z
Length	600 – 3000 mm	
Material	Copper & Stainless Steel	
Standard	IS-IEC 62305 / 62561	
Base Plate	Aluminium or SS	
Usage	Vertical Air terminal for Lightning Protection	

Concrete Base

A durable and stable foundation element used to securely anchor lightning protection components. Designed to withstand environmental stress and provide long-term support without the need for ground penetration



Concrete Base	
Type	Stackable
Support	Ø10 - 16 mm
Diameter	330 mm
Material	Concrete
Weight	18 Kgs
Usage	Support for Vertical Air terminal for Lightning Protection
Part No.	VZCCBASE

Roof Conductor

A key component of the lightning protection system, the roof conductor safely channels lightning currents across the roof surface to designated down conductors, ensuring effective and reliable current distribution



Roof Conductor	
Type	With Concrete
Support	Ø8 mm
Diameter	125 mm
Height	75 mm
Material	PP
Weight	1 Kgs with Concrete
Usage	Support for Vertical Conductor for Lightning Protection
Part No.	VZCCP

Free Standing Air Termination

A free-standing air termination is a vertical conductor mounted independently on rooftops or open areas to intercept lightning strikes. It is typically used when building-mounted systems are not feasible, providing a safe path to ground without direct attachment to the structure



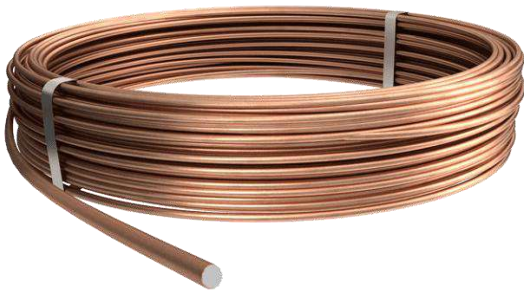
Free Standing Air Termination	
Type	Tapered Air Terminal Tripod
Diameter	Ø10 - 16 mm
Length	1000 - 5000 mm
Material Base	Concrete
Air Terminal	Aluminium, SS & Copper
Part No.	VZFSAR

Conductor

Conductors are essential for carrying electric current with high efficiency and minimal resistance. Available in various materials, they provide safe, reliable, and durable performance in electrical and earthing systems.



Aluminium Conductor		
Diameter (mm)	Ø8 mm	VALC080Z
	Ø9.5 mm	VALC095Z
Cross section mm ²	50 & 70 mm ²	
Standard	IS-IEC 62305 / 62561	
Impulse Current	100 kA 10/350 µs	
Purity	99.50%	
Grade	Half Hard EC Grade	
Electrical Resistivity Test	0.027 Ω-m	
Usage	Horizontal Air terminal & down conductor for Lightning protection	



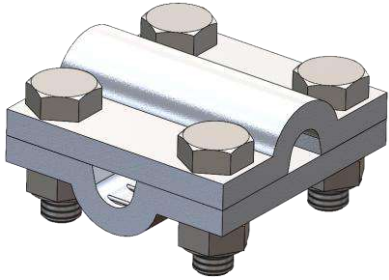
Copper Bonded Conductor		
Diameter (mm)	Ø8 mm	VCBC08Z
	Ø10 mm	VCBC10Z
Cross section mm ²	50 & 78 mm ²	
Standard	IS-IEC 62305 / 62561	
Impulse Current	100 kA 10/350 µs	
Microns (µm)	70, 120 & 254 (µm)	
Copper Purity	99.9% (IS EN 15079:2015)	
Usage	Horizontal Air terminal & down conductor for Lightning protection	



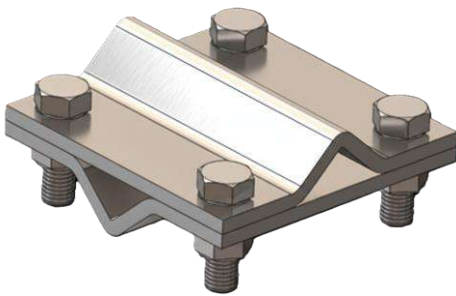
SS Conductor		
Diameter (mm)	Ø8 mm	VSSC08Z
	Ø10 mm	VSSC10Z
Cross section mm ²	50 & 78 mm ²	
Standard	IS-IEC 62305 / 62561	
Grade	304, 304L, 316 & 316L	
Usage	Horizontal Air terminal & down conductor for Lightning protection	

Cross Connector

A **Cross Connector** is used to securely join four conductors at right angles, ensuring strong mechanical and electrical continuity in earthing and lightning protection systems. Made from corrosion-resistant materials for long-lasting performance



Aluminium Cross Connector		
Material	Aluminium	
Standard	IS-IEC 62305 / 62561	
Impulse Current	100 kA 10/350 μ s	
Dimensions	52x52x5.5mm	
Rod Size	8 mm	VALCC08Z
	10 mm	VALCC10Z
Fasteners	Stainless Steel	



SS Cross Connector		
Material	Stainless Steel 304	
Standard	IS-IEC 62305 / 62561	
Impulse Current	100 kA 10/350 μ s	
Dimensions	50x50x2.5mm	
Rod Size	8 mm	VSSCC08Z
	10 mm	VSSCC10Z
Fasteners	Stainless Steel	



SS Cross Connector Strip/Flat		
Material	Stainless Steel 304	
Standard	IS-IEC 62305 / 62561	
Impulse Current	100 kA 10/350 μ s	
Dimensions	60x60x2mm	
Strip Size	25 mm	VSSCCS25Z
	30 mm	VSSCCS30Z
Fasteners	Stainless Steel	



Parallel Connector		
Material	Stainless Steel 304	
Standard	IS-IEC 62305 / 62561	
Impulse Current	100 kA 10/350 μ s	
Dimensions	45x35x3mm	
Rod Size	8 mm	VSSPC08Z
	10 mm	VSSPC10Z
Fasteners	Stainless Steel	

Expansion Piece

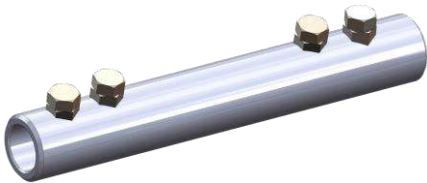
For equalizing temperature-related length changes & necessary on conductor lengths over 20 Meters from round conductor.



Expansion Piece	
Material	Aluminium
Standard	IS-IEC 62305 / 62561
Impulse Current	100 kA 10/350 μ s
Dimensions	8 mm
Part No.	VALEP8Z
Used with Straight Connector	

Straight Connector

Straight connectors securely join two conductors or rods in line, ensuring strong mechanical strength, corrosion resistance, and reliable electrical continuity in earthing systems.



Straight Connector/Splicer		
Material	Aluminium & Stainless Steel	
Standard	IS-IEC 62305 / 62561	
Impulse Current	100 kA 10/350 μ s	
Suitability	8 mm	VALSC08Z
	10 mm	VALSC10Z
Used with Expansion Piece		

Strip / Flat Holder

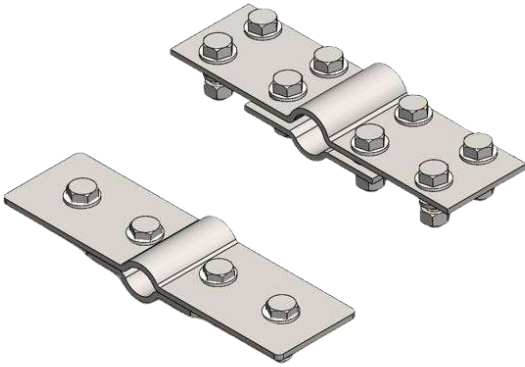
Durable and reliable holder designed to securely support strips and flat materials, ensuring stable placement and easy handling in various applications



Strip/Flat Holder	
Material	Stainless Steel
Grade	304
Standard	IS-IEC 62305 / 62561
Impulse Current	100 kA 10/350 μ s
Suitability	25 – 30 mm
Part No.	VSSSFH25Z
Used for holding GI, Aluminium & SS Strip	

Universal Clamp

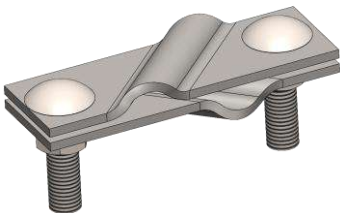
The universal rod clamp is specifically designed to accommodate earth rods, allowing it to be used with various types of ground rods, such as copper-clad steel rods, solid copper rods, or galvanized steel rods. This versatility ensures compatibility with different grounding systems.



Universal Clamp	
Material	SS & GI
Grade	304
Standard	IS-IEC 62305 / 62561
Impulse Current	100 kA 10/350 μ s
Suitability	Earth Rod
Part No.	VSSUC17Z VSSUC17Z8

Diagonal Clamp

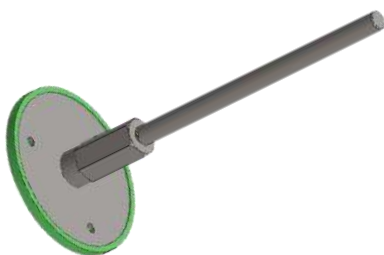
Sturdy and precise clamp designed to hold materials at diagonal angles securely, providing stability and ease of use in assembly and fabrication tasks



Diagonal Clamp		
Material	Stainless Steel	
Grade	304	
Standard	IS-IEC 62305 / 62561	
Impulse Current	100 kA 10/350 μ s	
Suitability	8 mm	VSSDC08Z
	10 mm	VSSDC10Z

Earth Stud / Fixed Earthing Terminal

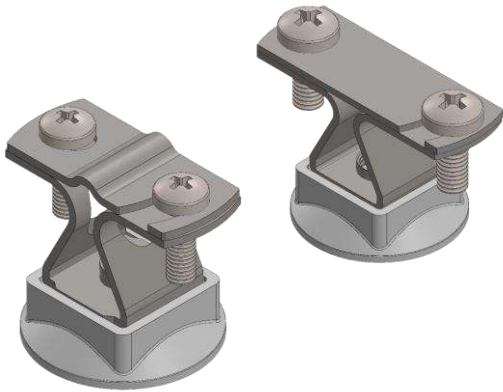
To be securely embedded in concrete, ensuring a corrosion-resistant link to the earth termination system for both protective and functional equipotential bonding, such as connecting to the structural reinforcement of buildings.



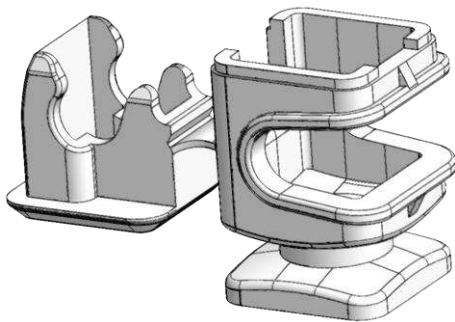
Earth Stud/Fixed Earthing Terminal	
Material	Stainless Steel
Grade	304
Standard	IS-IEC 62305 / 62561
Impulse Current	100 kA 10/350 μ s
Suitability	Diagonal & Cross Connector
Part No.	VSSEFET304Z

Conductor Holder

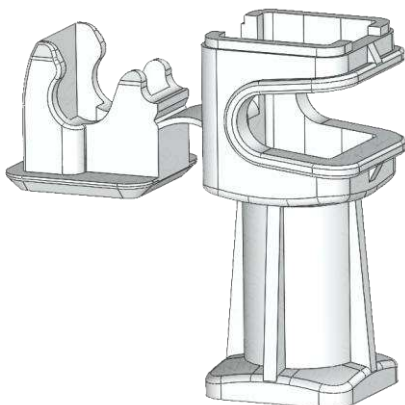
This Conductor Holder keeps electrical conductors firmly in position, preventing movement and tangling. It helps maintain a neat and safe wiring setup, making installation and maintenance easier.



SS Conductor Holder	
Material	Stainless Steel
Grade	304
Standard	IS-IEC 62305 / 62561
Impulse Current	100 kA 10/350 μ s
Suitability	8 mm VSSCH08Z
	10 mm VSSCH10Z
	25 mm VSSCH25Z
Used for holding Aluminium & SS Conductor	



Plastic Conductor Holder	
Material	Nylon 6
Standard	IS-IEC 62305 / 62561
Height	35 mm
Suitability	8 mm
Part No.	VPCHN35Z
Used for holding Aluminium & SS Conductor	



Plastic Conductor Holder	
Material	Nylon 6
Standard	IS-IEC 62305 / 62561
Height	55 mm
Suitability	8 mm
Part No.	VPCHN55Z
Used for holding Aluminium & SS Conductor	

Standing Seam Clamp

Standing Seam Clamps are specially designed to allow installers to securely attach Lightning Protection Conductors to roofing sheets that feature Standing Seam construction. They provide a reliable, stable connection without damaging the roof, ensuring effective lightning protection while maintaining the integrity and appearance of the roofing system. Easy to install and durable, these clamps are ideal for both residential and commercial applications.



Standing Seam Clamp

Material	Stainless Steel
Grade	304
Standard	IS-IEC 62305 / 62561
Suitability	Any Conductor Holder
Part No.	VSSSSC411Z
For roof without puncture	



Standing Seam Clamp

Material	Stainless Steel
Grade	304
Standard	IS-IEC 62305 / 62561
Impulse Current	100 kA 10/350 μ s
Suitability	8 mm
Part No.	VSSSSC420Z
For roof without puncture	

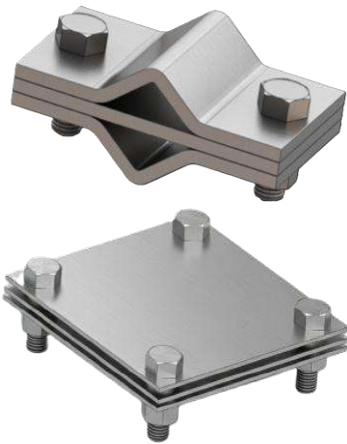


Standing Seam Clamp

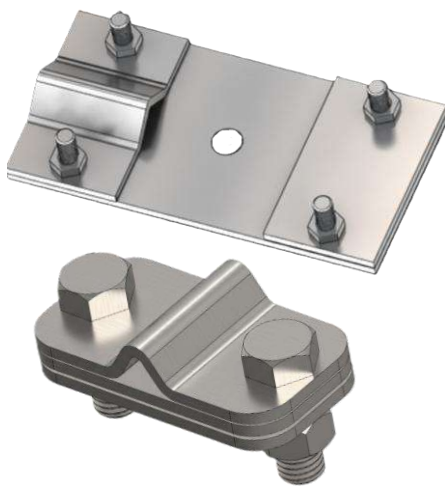
Material	Stainless Steel
Grade	304
Standard	IS-IEC 62305 / 62561
Suitability	8 mm
Part No.	VSSSSC032Z
For roof without puncture	

Test Link

The test link is mainly used to offer a temporary break in the connection to earth allowing the testing of an earth rod whilst disconnecting from the lightning protection system.



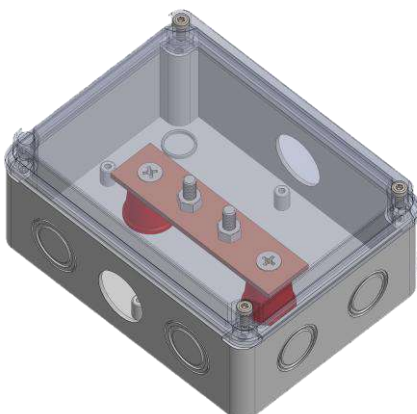
Test Link - Flat to Flat & Round to Round		
Material	Stainless Steel	
Grade	304	
Standard	IS-IEC 62305 / 62561	
Impulse Current	100 kA 10/350 μ s	
Suitability for round to round	8 mm	VSSTLRR08Z
	10 mm	VSSTLRR10Z
Suitability for flat to flat	25 mm	VSSTLFF25Z
	30 mm	VSSTLFF30Z
Used for disconnecting and testing		



Test Link - Flat to Round		
Material	Stainless Steel	
Grade	304	
Standard	IS-IEC 62305 / 62561	
Impulse Current	100 kA 10/350 μ s	
Suitability	25-08 mm	VSSTLFR2508Z
	25-10 mm	VSSTLFR2510Z
	30-08 mm	VSSTLFR3008Z
	30-10 mm	VSSTLFR3010Z
Used for disconnecting and testing		

Test Link Box

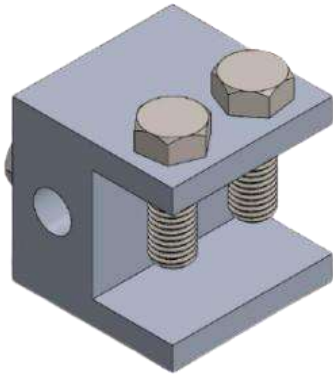
A test link box is used in earthing systems to provide a secure point for testing the integrity and resistance of the grounding network. It allows temporary disconnection of the earth electrode for maintenance purposes.



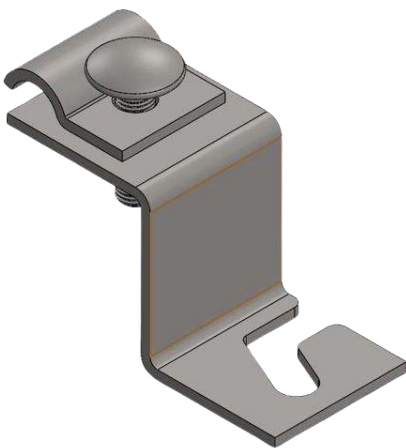
Test Link Box	
Material	ABS
Size	150 X 110 X 70 mm
IP Rating	IP 65/67
Components	Test Link
	Insulators
	Fasteners
Part No.	VTLB150Z
Earth testing & disconnecting point	

Holders

Holders in earthing solutions are used to securely support and position earthing conductors or rods, ensuring stability and proper contact with the ground. They enhance safety, reliability, and ease of installation in grounding systems.



I Beam Holder	
Material	Stainless Steel & Aluminium
Standard	IS-IEC 62305 / 62561
Suitability	8 & 10 mm
Suitable	Round to I Beam
Part No.	VIBH0810Z
Used for equipotential bonding	



SS Conductor Holder		
Material	Stainless Steel	
Grade	304	
Standard	IS-IEC 62305 / 62561	
Impulse Current	100 Ka 10/350 μ s	
Suitability	25-30 mm	VSSCH2530Z
Used for holding Aluminium & SS Flat Conductor		

Strike Pad

Strike pads in earthing solutions provide a designated point for lightning or fault current discharge, ensuring safe and direct energy transfer to the grounding system. They are built to withstand high impact and electrical loads.



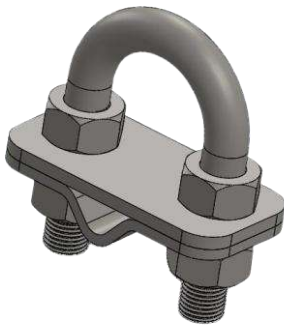
Strike Pad	
Material	Stainless Steel, Aluminium & Copper Alloy
Standard	IS-IEC 62305 / 62561
Part No.	VSP112Z
Used where it is impossible or preferred to attach conductors on the roof or side of the building	

Clamps

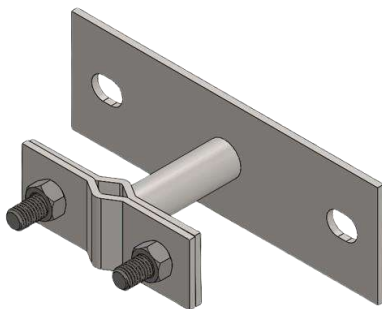
Clamps used in earthing solutions ensure secure and reliable connections between conductors and grounding rods or systems, providing effective dissipation of fault currents. They are designed for durability, corrosion resistance, and optimal electrical conductivity.



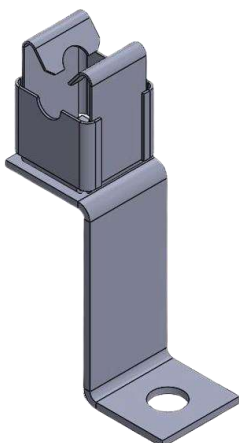
Bonding Clamp		
Material	Stainless Steel	
Grade	304	
Standard	IS-IEC 62305 / 62561	
Suitability	10 -16mm	VSSBC1016Z
Used for bonding between conductor & Re Bar		



U Bolt Clamp/Re Bar Clamp	
Material	SS 304
Type	GUV
Suitability	17.2, 20 & 25 mm 35 – 125 mm ²
Part No.	VUBC110Z
To connect earth rod with conductor	



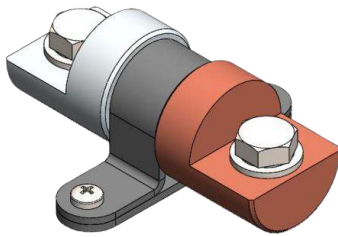
Side Wall Clamp	
Material	Stainless Steel
Grade	304, 304L, 316 & 316L
Standard	IS-IEC 62305 / 62561
Suitability	10 & 16 mm
Suitable	Air Terminal
Part No.	VSWC1016Z
Used to mount a Vertical Air Terminal on parapet and side walls	



Trapezoidal Roof Conductor Clamp		
Material	Stainless Steel	
Grade	304	
Standard	IS-IEC 62305 / 62561	
Suitability	10 mm	VSSCH10Z
Used for holding conductors on the roof without punching the roof		

Bi Metallic Clamp

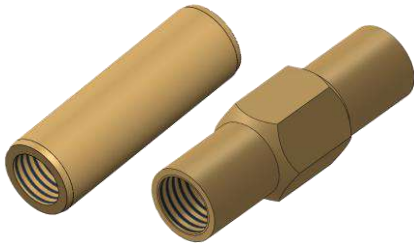
Bi Metallic Clamp serve the purpose of connecting aluminum and copper tapes while also establishing a protective barrier against corrosion between these two metals. This method offers a tidy and efficient approach to joining, eliminating the necessity for soldering, riveting, or wrapping the connection.



Bi Metallic Clamp	
Material	Copper & Aluminium
Suitability	25 - 30 mm
Part No.	VALCUBMCZ
To connect aluminium & copper	

Coupler

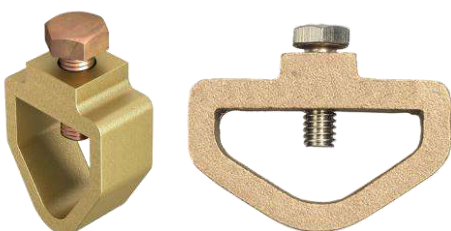
This simple but efficient rod coupling tool is used to extend the length of a grounding rod by clamping two lengths of rods together doubling their grounding range. Made out of solid brass this coupler will cause no disruption to the energy flow between the joined rods.



Coupler		
Material	Brass	
Suitability	14.2 mm	VCBRX142Z
	17.2 mm	VCBRX172Z
To extend length of earth rod		

Rod to Cable/Tape Clamp

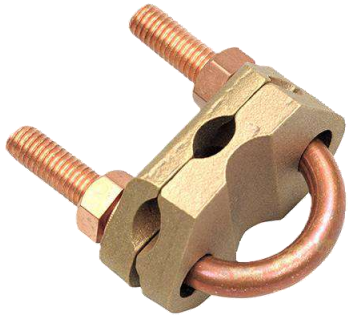
It ensures a reliable link between a round conductor or tape and an earth rod, commonly utilized to establish a secure connection between a down conductor cable or tape and the earth rod.



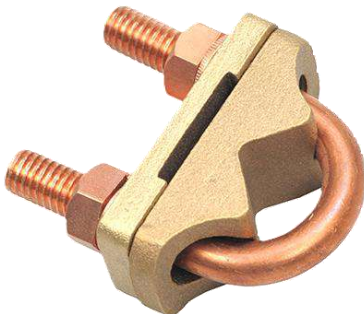
Rod To Table/Tape Clamp	
Material	Brass
Type	(G)
Suitability	12.7, 14.2, 17.2, 20 & 25 mm
	16 – 120 mm ²
Part No.	VRTCB109Z
To connect earth rod with cable or tape	

U Bolt Clamp

U Bolt ensures a dependable connection between a vertical stranded cable and an earth rod, typically employed to establish a secure link between a down conductor's vertical stranded cable and the earth rod. U Bolt performs the function of holding rod/rebar and stranded cable together



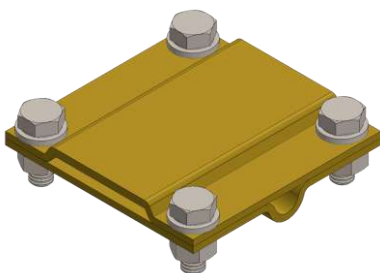
U Bolt Clamp	
Material	Brass
Type	GUV
Impulse Current	100 kA 10/350 μ s
Suitability	16, 17.2, 20 & 25 mm 35 – 300 mm ²
Part No.	VUBC111Z
To connect earth rod with cable	



U Bolt Clamp	
Material	Brass
Type	E
Suitability	17.2, 20 & 25 mm 25 – 30 mm
Part No.	VUBC112Z
To connect earth rod with tape	

Cable to Tape Clamp

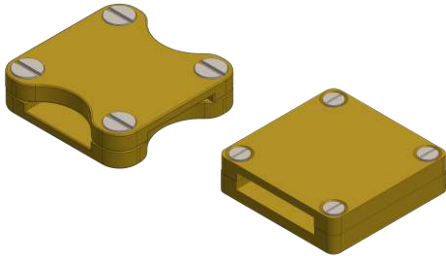
Cable-to-Tape Clamps are designed to securely attach cables to flat tapes or strips. They provide a stable and reliable connection, preventing slippage or damage. Easy to install, these clamps ensure organized and safe electrical setups.



Cable To Tape Clamp	
Material	Brass
Suitability	20x3, 25x3, & 30x3mm with 50 & 78 mm ²
Part No.	VCTC113Z
To connect tape to wall & roof	

Square Tape Clamp

Square Tape Clip provides 4 way connection of tape. To create straight-through, cross, or 'T' joints in tape.



Square Tape Clamp	
Material	Brass
Suitability	20x3, 25x3, 25x6, 50x3, 50x6
Part No.	VSTCB114Z
To connect tape	

Brass & Copper Saddle

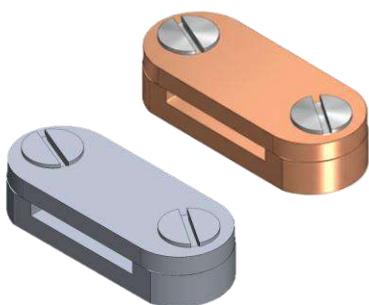
Brass & Copper Saddle to support down conductor and is designed with rigidity to withstand the stresses induced by lightning.



Brass & Copper Saddle	
Material	Brass & Copper
Suitability	20x3, 25x3, 25x6, 50x3, 50x6
Part No.	VBCSB115Z
To connect tape to wall & roof	

DC Tape Clip

DC Tape Clip provides support to the down conductor tape and is designed with rigidity to withstand the stresses induced by lightning.

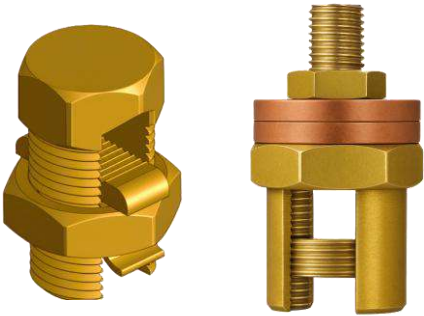


DC Tape Clip	
Material	Brass
Suitability	20x3, 25x3, 25x6, 50x3, 50x6 mm
Part No.	VBDCTC116Z
To connect tape down conductor to wall	

DC Tape Clip	
Material	Aluminium
Suitability	25x3, 25x6 & 50x6mm
Part No.	VALDCTC117Z
To connect tape down conductor to wall	

Split Bolt Connector

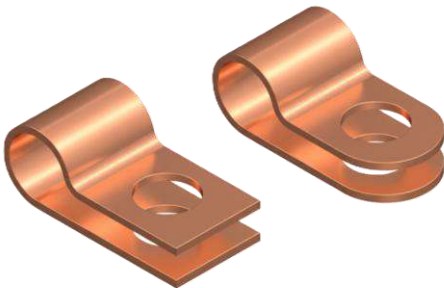
Split bolt connectors are a type of electrical connector used to connect two or more wires together. It is called a “split bolt” connector because it consists of a bolt with a split in the middle, allowing the connector to be opened and the wires to be inserted.



Split Bolt Connector	
Material	Brass & Copper
Cable Size (mm ²)	10, 16, 25, 50, 70, 95 & 120 mm ²
Part No.	VSBCB118Z
To connect two or more wires	

One Hole Cable Clip

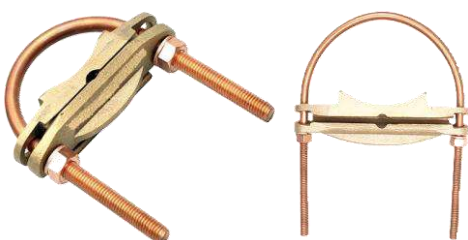
One Hole Cable Clip is required for fixing conductor cables for the surface. It is applied with help of appropriate fastener by inserting inside hole.



One Hole Cable Clip	
Material	Copper
Size	8 – 20 mm
	50 – 300 mm ²
Part No.	VOHCCC119Z
For fixing conductor or cables.	

Pipe Clamp

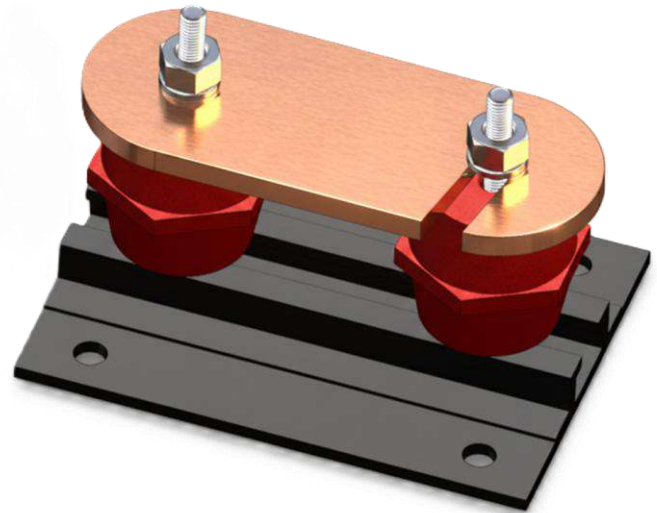
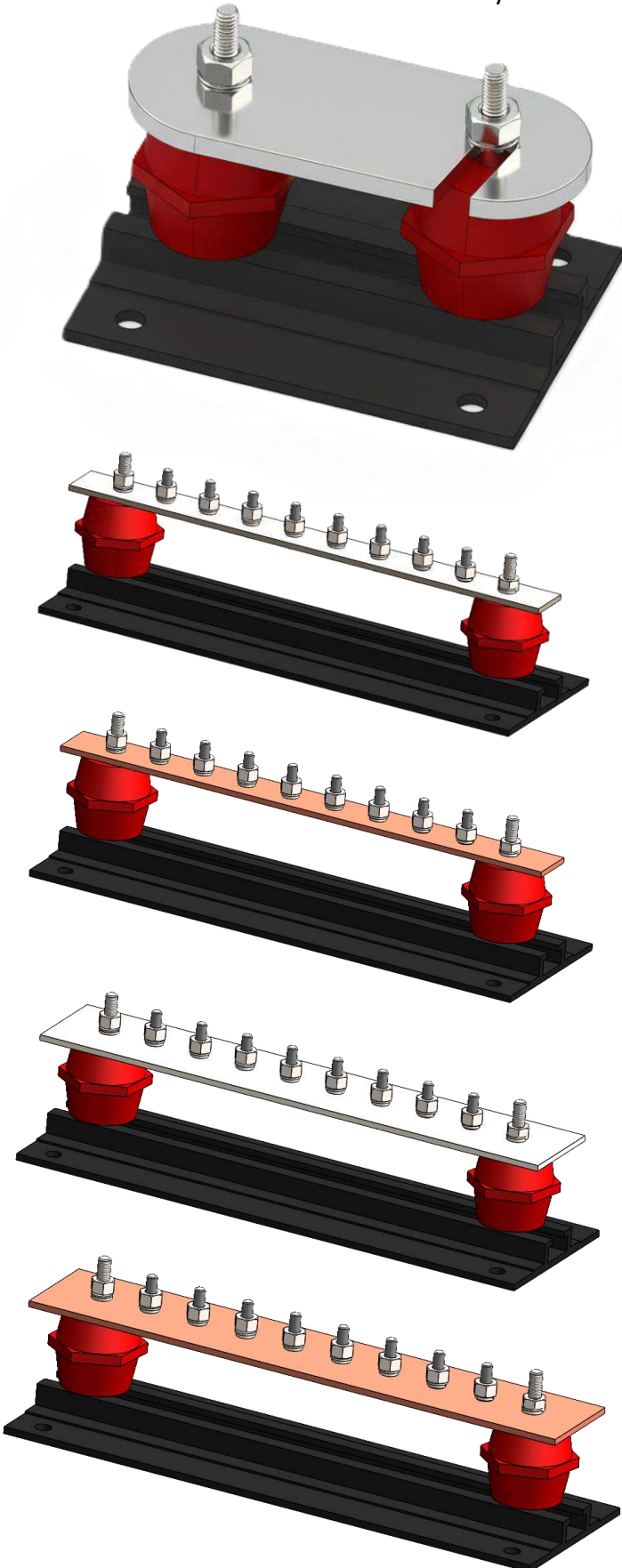
Pipe Clamps serve to bond conductors securely to pipes, ensuring earth continuity within pipelines. They establish reliable connections between the down conductors of vertical stranded cables and metallic pipes.



Pipe Clamp	
Material	Brass
Size	8 – 20 mm
	50 – 300 mm ²
Part No.	VPCB120Z
For connection of pipes & cables	

Earth Bus Bar

An **earth bus bar** is a conductive strip or bar, typically made of copper or aluminum, used to collect and distribute grounding connections in electrical systems. It ensures safe dissipation of fault currents to the ground, improving system reliability and safety



Copper & Tinned Bus Bar		
Material	Copper & Tinned Copper	
Grade	High Conductivity Electrolytic (ETP) & Commercial Grade	
Ways	Length	Part No.
6	400 mm	VTCB040006Z
8	500 mm	VTCB050008Z
10	650 mm	VTCB065010Z
12	750 mm	VTCB075012Z
14	850 mm	VTCB085014Z
16	950 mm	VTCB095016Z
18	1050 mm	VTCB105018Z
20	1200 mm	VTCB120020Z
22	1300 mm	VTCB130022Z
24	1400 mm	VTCB140024Z
26	1500 mm	VTCB150026Z
28	1650 mm	VTCB165028Z
30	1750 mm	VTCB175030Z

*Sizes can be customized

Flexible Copper Braid

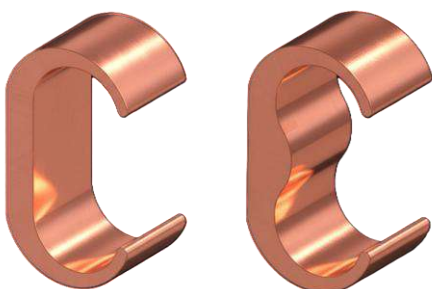
Copper braids are woven structures made from strands of copper wire, providing a flexible and durable connection for various electrical and electronic applications. Flexible connectors are made from high conductivity copper, are used in electrical distribution, building services, and process plants for lightning protection and grounding purposes.



Flexible Copper Braid		
Finish	Bare Copper or Tinned Copper	
Material	ETP-Cu	
Purity	99.90%	
Dimension	Sq. mm	Length
12x1	6	200-400
15x1.5	10	200-400
15x3	16	200-400
20x3	25	200-400
25x3	25	200-400
25x3.5	35	200-400
30x5	50	200-400
32x6	70	200-400
45x6	120	200-400
50x8	150	200-400
Part No.	VFBCB06150Z	
	VFTCB06150Z	

C Crimp Connector

Crimp C connector is a type of electrical connector used to join wires together. It is attached to the wires using a crimping tool, which squeezes the connector onto the wires to create a secure connection



C Crimp Connector	
Finish	Bare Copper
Sq. mm	4 - 300 mm ²
Grade	ETP
Part No.	VCCC121Z

Earth Boss

Earth Boss is designed to provide an earth connection point on a steel structure. It is a metal fitting or connector that is used to connect a conductor, such as a wire or rod, to a metal surface or structure. It is welded onto steel vessels, tanks and other structures and is used as part of an earthing or grounding system.



Earth Boss	
Material	Stainless Steel
Grade	304, 304L, 316 & 316L
Length (mm)	25, 30, 40 & 50 mm
Dia (mm)	25, 30, 40 & 50 mm
Part No.	VEB2550Z
Used for equipotential bonding	

Earth Rod Seal

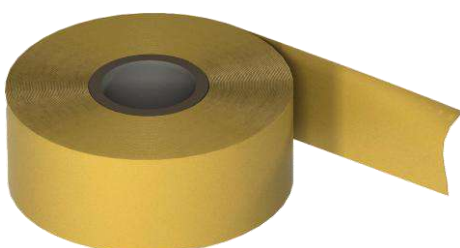
Earth Rod Seal is fitted when the earth rod connection is below the water level and where there is a possibility of water entering the inspection housing from below ground.



Earth Rod Seal		
Material	HDPE	
Suitability	12.7 mm	VERSHD127Z
	14.2 mm	VERSHD142Z
	17.2 mm	VERSHD172Z
Length	300 – 1000 mm	
Used for disconnecting and testing		

Anti-Corrosion Petrolatum Tape

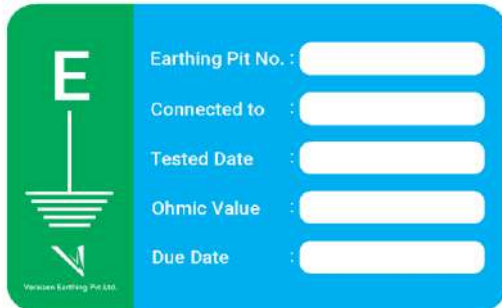
Protection from corrosion of buried or exposed pipes, rods, cables, valves and other metal fittings. For wrapping of aboveground and underground connections in accordance with the requirements of DIN 12068.



Anti-Corrosion Petrolatum Tape		
Material	Petrolatum	
Type	UV Stabilised	
Width	50 mm	VACPT050Z
	100 mm	VACPT100Z
	150 mm	VACPT150Z
Length	10 meters / per roll	
Used for shielding the metal surface against air and water		

Name Plate / Nomenclature

Designed for recording earthing test data. Features sections for date of testing, next due date, ohm readings, and more. Made from durable materials, ensuring longevity.



Name Plate	
Material	GI & ACP
Size	150x200 & 300x400
Support	Flat/Angle
Part No.	VNPAKZ

PVC Heat Shrinkable Sleeves

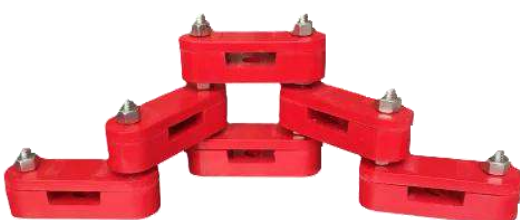
PVC Heat Shrinkable Sleeves provides the perfect electrical insulation for Strip & Bus bars. Sleeves are an excellent latest modern technology for insulation compared to age old conventional method of taping and painting etc.



PVC Heat Shrinkable Sleeves	
Material	PVC
Fire Resistance (as per UL94-V) materials	Self-Extinguishing with no dripping
Shrinking Temperature	150°C- 170°C for 4-5 mins
Suitable Strip/Flat Sizes	
Width (mm)	20, 25, 30, 32, 40, 50, 63, 75, & 100
Thickness (mm)	3, 5, 6, 8, 10 & 12
Part No.	VPVCHSSZ

Strip Insulator

A **strip insulator** is a non-conductive support used to securely isolate and hold flat conductors in earthing and lightning protection systems..



Strip Insulator		
Material	DMC	
Size	25x3mm	VSIDMC253Z
	25x6mm	VSIDMC256Z
	32x6mm	VSIDMC326Z
	40x6mm	VSIDMC406Z
	50x3mm	VSIDMC503Z
	50x6mm	VSIDMC506Z
Suitable	GI, Copper, Aluminium & SS	

Aviation Warning Lights

Aviation warning lights are high-intensity lights affixed to tall structures and buildings to prevent collisions. ICAO Compliant Lights, ensuring the safety of aviation operations.



Single Low Intensity Aviation Obstruction Light	
Type	Ultra Bright
LED Light Colour	Red
Power Consumption	<2W – Type A <5 – Type B
IP Rating	65
Operating Voltage	90 - 270 V AC 24 - 60 V DC
Weight	1.3 Kgs
Part No.	VSLIAOLZ



Dual Low Intensity Aviation Obstruction Light	
Type	Ultra Bright
LED Light Colour	Red
Power Consumption	<5 – Type B
Day Night Control	Auto On/Off - In Built Photo sensor
Peak Intensity	>32 cd
IP Rating	65
Type as per ICAO	Type B
Part No.	VDLIAOLZ



Single Solar LED Aviation Obstruction Light	
Type	5mm High Power LED
LED Light Colour	Red
Power Consumption	<2W
IP Rating	65
Solar Panel	8W
Weight	5.6 Kgs
Part No.	VSSLAOLZ



Duel Solar LED Aviation Obstruction Light	
Type	5mm High Power LED
LED Light Colour	Red
Power Consumption	<3W
IP Rating	65
Solar Panel	8W
Weight	8.5 Kgs
Part No.	VDSLALZ



Medium Intensity Aviation Obstruction Light (TYPE-B)	
Type	LED (Flashing)
LED Light Colour	Red
Intensity	2000 cd \pm 25%
Power Consumption	8W
Flashing Frequency	20 to 60 fpm
IP Rating	65
Life	1,00,000 Hrs.
Type as per ICAO	Type B
Part No.	VMIAOLTBZ



Medium Intensity Aviation Obstruction Light (TYPE-A)	
Type	LED (Flashing)
LED Light Colour	White
Intensity	Day Time 20000 cd Night Time 2000 cd
Power Consumption	8W
Flashing Frequency	20 to 60 fpm
IP Rating	65
Life	1,00,000 Hrs.
Type as per ICAO	Type A
Part No.	VMIAOLTAZ

Leading Clients, Lasting Partnership



UNITED BREWERIES LIMITED



Every Life Matters



J. Kumar



Shapoorji Pallonji



Brands, That Trust Us



Seeding goodness



Certified for Safety, Trusted for Quality



IS – IEC 62035
IEC 62561





sales@veraizenearthing.com
info@veraizenearthing.com



www.veraizenearthing.com



GSTIN 27AAGCV9302B1ZI
CIN NO. U31909MH2019PTC325103



Veraizen Earthing Pvt. Ltd.
Gala No. 1 & 2, Heena Industrial Estate,
Naikpada Rd, Behind Barmashell Petrol
Pump, Vasai(E), Palghar - 401208



PROTECTING LIVES, SECURING POWER



Veraizen[®]
Earthing
Earthing Solutions



Government of India / भारत सरकार
Ministry of Commerce and Industry / वाणिज्य और उद्योग मंत्रालय
Directorate General of Foreign Trade / विदेश व्यापार महानिदेशालय
Office of the Additional Director General of Foreign Trade, Mumbai
CGO Office, New Building, SE wing, New Marine Lines, Churchgate, Mumbai - सैनीली बर्यार्य, न्यू मरिन लाइन्स, चर्चगेट, मुंबई, न्यू मरीन लाइन्स, चर्चगेट, मुंबई, महाराष्ट्र, 400020

Importer-Exporter Code

This is to certify that **VERAZIEN EARTHING PRIVATE LIMITED** is issued an Importer-Exporter Code (IEC) **AAGCV9302B** with details as follows:

IEC	AAGCV9302B
व्यापार चिह्न सं. (पैन) / PAN	AAGCV9302B
फर्म का नाम / Firm Name	VERAZIEN EARTHING PRIVATE LIMITED
निगम की प्रकृति / Nature of Concern	Private Limited
व्यक्ति को जारी करने की तिथि / Date of Issue	09/01/2020
पंजीकृत पता / Registered Address	GALA NO 1 AND 2, HEENA INDUSTRIAL ESTATE, BARMASHELL ROAD, NAIKADA, VALIV VILLAGE, VASAI, MUMBAI, PALGHAR, MAHARASHTRA, 401208
हस्ताक्षरकर्ता का नाम / Name of the Signatory	SHARUP LALCHAND JAIN
निर्देशक / Director / Partner Details	Refer online at https://dgft.gov.in or scan the QR Code
शाखा/दफ्तर / Branch Details	Refer online at https://dgft.gov.in or scan the QR Code

Last Modified : 11/10/2022
 File Number : MUMIECPAMEN00046412AM23

Note : This is a system-generated certificate. Authenticity / Updated details of the IEC can be checked at official DGFT website <https://dgft.gov.in> by entering the IEC and Firm Name under Services > View Any IEC Details. You can also authenticate the certificate by scanning the QR code.

GOVERNMENT OF INDIA
MINISTRY OF CORPORATE AFFAIRS
Central Registration Centre

Certificate of Incorporation

[Pursuant to sub-section (2) of section 7 of the Companies Act, 2013 (18 of 2013) and rule 18 of the Companies (Incorporation) Rules, 2014]

I hereby certify that **VERAZIEN EARTHING PRIVATE LIMITED** is incorporated on this Eighth day of May Two thousand nineteen under the Companies Act, 2013 (18 of 2013) and that the company is limited by shares.

The Corporate Identity Number of the company is **U31909MH2019PTC325103**.

The Permanent Account Number (PAN) of the company is **AAGCV9302B** */@

The Tax Deduction and Collection Account Number (TAN) of the company is **MUMV27057C** */@

Given under my hand at Manesar this Eighth day of May Two thousand nineteen.

Digital Signature Certificate
ALOK TANDON
 Deputy Registrar Of Companies
 For and on behalf of the Jurisdictional Registrar of Companies
 Registrar of Companies
 Central Registration Centre

Disclaimer: This certificate only evidences incorporation of the company on the basis of documents and declarations of the applicant(s). This certificate is neither a license nor permission to conduct business or solicit deposits or funds from public. Permission of sector regulator is necessary wherever required. Registration status and other details of the company can be verified on www.mca.gov.in

Mailing Address as per record available in Registrar of Companies office:
VERAZIEN EARTHING PRIVATE LIMITED
 GALA NO 5, GROUND FLOOR, BUILDING NO 2, RAJPRABHA MOHAN, IND EST, VILLAGE WALIV, MUMBAI, Thane, Maharashtra, India, 401208

* as issued by the Income Tax Department

VERAZIEN EARTHING PVT. LTD.
 DIRECTOR

TEST REPORT

Page 1 of 1
 Date: 02-12-2019

T.C. No. : **BY1148**
 Issued To. : **M/s Verazien Earthing Pvt. Ltd.**
 Gala No. 4, Ground Floor Building No.2, Rajprabha Mohan Ind Est, Village Waliv, Vasai East Palghar

Party Ref. : **Ch No.0062**
 Ref. Date : **23-11-2019**
 Nature of Sample : **Powder**
 Specification : **-**
 Sample Drawn By : **Party**

Condition of Sample : **Powder**
 Sample Received on : **26-11-2019**
 Date of Completion : **02-12-2019**
 Enclosure : **NIL**

Test : **ROHS**

Test Location	TCR Engg. Services Pvt. Ltd. Navi Mumbai.			
Test Method	With Reference to IEC - 62321/IS 16197(Part-1-5)			
Test Purpose	TO SCREEN FOR R.O.H.S., DIRECTIVE 2011/65/EU REQUIREMENTS			
Test Equipment	PORTABLE XRF SPECTROMETER Make: Thermo Niton Model: XL2-800 Sr. No.: 91602			

Requirement	Hg	Pb	Cr	Cd
Polymer Materials	Pd700-38(x)<1300+3 gf	Pd700-38(x)<1300+3 gf	Pd700-38(x)	Pd700-38(x)<130+3 gf
Metallic Materials	Pd700-38(x)<1300+3 gf	Pd700-38(x)<1300+3 gf	Pd700-38(x)	Pd700-38(x)<130+3 gf
Electronics	Pd700-38(x)<1300+3 gf	Pd700-38(x)<1300+3 gf	Pd700-38(x)	LD6+K<+250+3 gf

Sr. No.	Specified Elements	TEST FINDINGS				REMARK
		Hg	Pb	Cd	Cr	
1	Advance Ground Enhancement material	ND	ND	ND	ND	pass

Remark: The above material meets the requirements of ROHS directive 2011/65/EU & its subsequent amendments directives.
 P=Pass F=Fail IND=Inconclusive ND=Not Detected (Detection Limit >10 ppm)

Checked By: **GANESH SONAWANE (QAM)**
 Reviewed & Authorised By: **GANESH SONAWANE (QAM)**

TCR Engineering Services, India: Redefining On-Time Quality since 1973
 A NABL/ISO 17025 and BIS accredited Material Testing, Metallurgical Evaluation, Corrosion Testing, NDT/Inspection, Civil Audit, Engineering Consulting & Research Laboratory.

SPECTRO
 Analytical Labs Limited

Format No: SALLNG/TRF/GEN
 Issue No:01, Issue Date: 01-04-2017
 Page 1 of 2

TEST REPORT

Test Report Issued To: **VERAZIEN EARTHING PVT. LTD.**
 UNIT NO.4, BLDG NO.2, RAJ PRABHA MOHAN IND. ESTATE, NAIKADA, WALIV, VASAI (E), PALGHAR, MAHARASHTRA - 401208, INDIA

Test Report No: **D210411018/D210411018-11**
 Date of Issue: **12-Apr-2021**
 Sample Booking/Receipt Date: **11-Apr-2021**
 Date of Start of Testing: **12-Apr-2021**
 Date of Completion of Test: **12-Apr-2021**

Customer Relationship Number: **64000**

Sample Description: **ADVANCE GROUND ENHANCEMENT COMPOUND**

Customer Reference No.:


Kind Attention : **MR. SHARUP JAIN**
 E-Mail: **info@verazienearthing.com** Contact No: **8879331691**

Sample Condition : **GOOD**
 Sample Quantity (Approx) : **-** Sample Size (Approx) : **-**

SAMPLE NOT DRAWN BY OUR LABORATORY. THE RESULTS RELATE ONLY TO THE ITEMS TESTED

Authenticity of report can be verified by mail at verification@spectrolab.in
 This is a Digitally Signed Report and hence doesn't require Physical Signature.

Spectro Analytical Labs Limited S-1, GNEPIP, Surajpur Industrial Area, Phase-V, Kasna, Greater Noida-201308 (India)
 Phone : +91-120-2341252,2341251 || URL : www.spectro.in || Email : care@spectro.in
 BIS & DDA Approved, ISO 9001:2015, ISO 14001:2015 & ISO 45001:2018 Certified Laboratory
 Please refer to our Website <http://www.spectro.in/spectro-policies.html> for Terms & Condition



 भारत सरकार
 Government of India
 सूक्ष्म, मध्यम एवं बड़े उद्यम विभाग
 Ministry of Micro, Small and Medium Enterprises

UDYAM REGISTRATION CERTIFICATE

UDYAM REGISTRATION NUMBER: UDYAM-MH-33-0050753
NAME OF ENTERPRISE: M/S VERAIZEN EARTHING PRIVATE LIMITED

SNo.	Classification Year	Enterprise Type	Classification Date
1	2025-26	Micro	01/04/2025
2	2024-25	Small	27/04/2024
3	2023-24	Micro	09/05/2023
4	2022-23	Micro	26/06/2022

TYPE OF ENTERPRISE*: MANUFACTURING

MAJOR ACTIVITY: MANUFACTURING

SOCIAL CATEGORY OF ENTREPRENEUR: GENERAL

S.No.	Udyog Aadhaar Memorandum	Unit(s) Name
1	MH33B0135358	VERAIZEN EARTHING PRIVATE LIMITED

Flat/Door/Block No.	Gala No. 1 & 2	Name of Premises/Building	Heena Industrial Estate
Village/Town	Valiv	Block	Behind Barmashell Petrol Pump
Road/Street/Lane	NAIK PADA	City	VASAI EAST
State	MAHARASHTRA	District	THANE, Pin 401208
Mobile	8879331691	Email:	veraizencarthing@gmail.com

OFFICAL ADDRESS OF ENTERPRISE:

DATE OF INCORPORATION / REGISTRATION OF ENTERPRISE: 08/05/2019
DATE OF COMMENCEMENT OF: 08/05/2019

PRODUCTION/BUSINESS

SNo.	NIC 2 Digit	NIC 4 Digit	NIC 5 Digit	Activity
1	24 - Manufacture of basic metals	2420 - Manufacture of basic precious and other non-ferrous metals	24201 - Manufacture of Copper from ore, and other copper products and alloys	Manufacturing
2	27 - Manufacture of electrical equipment	2740 - Manufacture of electric lighting equipment	27400 - Manufacture of electric lighting equipment	Manufacturing
3	27 - Manufacture of electrical equipment	2790 - Manufacture of other electrical equipment	27900 - Manufacture of other electrical equipment	Manufacturing
4	74 - Other professional, scientific and technical activities	7490 - Other professional, scientific and technical activities n.e.c.	74909 - Other professional, scientific and technical activities n.e.c.	Services
5	32 - Other manufacturing	3290 - Other manufacturing n.e.c.	32902 - Manufacture of protective safety equipment (fire-resistant and protective safety clothing, linemen's safety belts and other belts for occupational use, cork life preservers, plastics hard hats and other personal safety equipment of plastics, fire-fighting protection suits, metal safety headgear and other metal personal safety devices, gas masks etc.)	Manufacturing

NATIONAL INDUSTRY CLASSIFICATION CODE(S)

DATE OF UDYAM REGISTRATION: 21/01/2021

* In case of graduation (upward/reverse) of status of an enterprise, the benefit of the Government Schemes will be availed as per the provisions of Notification No. S.O. 2119(E) dated 26.06.2020 issued by the M/o MSME.
 Disclaimer: This is computer generated statement, no signature required. Printed from <https://udyamregistration.gov.in> & Date of printing:- 11/04/2025

For any assistance, you may contact:

1. District Industries Centre: THANE (MAHARASHTRA)

2. MSME-DFO: MUMBAI (MAHARASHTRA)

Visit : www.msme.gov.in ; www.dcmsme.gov.in ; msme.gov.in

Follow us @minmsme & [msme](#)



CERTIFICATE Certifikat



Certificate Of Compliance

RoHS DIRECTIVE 2015/863/RoHS3

Certificate Number: 21-ICA-04AA-2098

Manufacturer Name: VERAIZEN EARTHING PRIVATE LIMITED

Registered Office: GROUND FLOOR, GALA NO. 1 & 2, HEENA INDUSTRIAL ESTATE, NAIK PADA, VALIV VILLAGE, VASAI EAST, BEHIND BARMASHELL PETROL PUMP, NEAR JEEVAN SUNDAR INDUSTRIAL ESTATE, VASAI VIRAR, PALGHAR, MAHARASHTRA, 401208, INDIA

Products Covered: EARTHING & LIGHTNING PROTECTION SYSTEM, EARTH PIT COVER, GROUND ENHANCEMENT COMPOUND, AVAITION LIGHTS, GROUNDING/EARTHING ACCESSORIES WITH ITC OF EARTHING & LIGHTNING PROTECTION SYSTEM.

This is to state that the above mentioned products are in compliance with the requirements of European Union's Directive 2015/863/RoHS3 on the restriction of use of certain Hazardous Substances Lead (Pb), Mercury (Hg), Cadmium (Cd), Hexavalent Chromium (Cr6+), Polybrominated Biphenyls (PBBs) and Polybrominated Diphenyl Ethers (PBDEs) in Electrical and Electronic Equipments.

Statement: This certificate declares that the product types / models described above comply with the above mentioned European Standard(s).

Remarks: This Certificate of Compliance is based on the evaluation of samples of the above mentioned products.

Issued Date: 07.11.2025 **1st Surveillance:** 06.11.2026
Expiry Date: 06.11.2028 **2nd Surveillance:** 06.11.2027






International Certification Association
 AICB, 462 North Road, YORK, YO64 8QJ UK
 This Certificate is intellectual Property of INCTA and can be maintained through surveillance and renewal audits.
 This Certificate remains the property of INCTA and must be returned on request.
 For Verification, please email at verification@incta.co.uk
 Visit our website www.incta.co.uk



TEST REPORT

Page 1 of 2

Customer: M/s. VERAIZEN Earthing Pvt. Ltd. Unit No.1 & 2, Heena Industrial Estate, Naikpada Road, Behind Barmoshell Petrol Pump, Vasai (E), Palghar-401208	Report No.: Z-5142-M Report Date: 01-09-2025 Job No.: ELM-24-25-20497 Sample Received Date: 21-08-2025 Date Of Completion: 25-08-2025
--	--

Customer Ref. No. & Date: 654 19-08-2025

Samples not drawn by ELCA

Product Specification: --

Sample Description:

Sr. No.	Product Description	Dimension(mm)	Qty.
1	Earthing Inspection Pit	310 X 310 X 225	01

Test Component at Receipt: Good



UV TEST

Discipline	Chemical	Group	Paint & Surface Coating
Test Method:	ASTM G154-2023	Tested on:	25-08-2025
Tested At	ELCA Laboratories Mahape	Equipment Used	UV Test Chamber (PT-17)
		Calibration Due Date	27-08-2026

Test Procedure	The EUTs were placed in UV Test chamber and were subjected to the test specification as mentioned in the table below
Test Conditions	Lamp grade: UVA 340, Irradiance: 0.89 W/m ² , Exposure Cycle: 8 h UV at 60°C Black Panel Temperature. 4 h Condensation at 50°C Black Panel Temperature.
Ambient Temperature	28.1°C at 59% RH
No. of hours	108
Test Start Date	21-08-2025 at 10:00 AM
Test End Date	25-08-2025 at 10:00 PM

1. This report relates only to the sample(s) submitted and tested. 2. Report shall not be reproduced, except in full, without prior written permission of ELCA LABORATORIES. 3. Any correction to report without authorization invalidates report. 4. The laboratory is responsible for all the information provided in the report, except for the information provided by the customer, which is documented in Sample description and/or otherwise identified. This is as provided by the customer in their checklist, label or test record and not verified by ELCA. 5. Sample(s) are submitted by the customer and not drawn by ELCA LABORATORIES. 6. Where statement of conformity to a specification or standard for the test (e.g. pass/fail) is required, the decision rule with simple acceptance without application of measurement uncertainty is applied by ELCA. In case if the customer needs uncertainty to be applied, the decision rule used by ELCA is as per IAG: 08:002019 with the necessary risk and guard band (if 1U). 7. The above tests are not covered under NABL Scope of Accreditation.

(Other Terms & Conditions Overleaf) Format : Form IQMS / 005b - 2 w.e.f. : 30.04.2024



TEST REPORT

Page 2 of 2

Customer: M/s. VERAIZEN Earthing Pvt. Ltd. Unit No.1 & 2, Heena Industrial Estate, Naikpada Road, Behind Barmoshell Petrol Pump, Vasai (E), Palghar-401208	Report No.: Z-5142-M Report Date: 01-09-2025 Job No.: ELM-24-25-20497 Sample Received Date: 21-08-2025 Date Of Completion: 25-08-2025
--	--

Customer Ref. No. & Date: 654 19-08-2025

Test setup photograph	
After Test	
Tested by	Sathish Kumar
Parameter	Result
Remark	No significant visual deformation was observed after the test.

*****END OF REPORT*****

Checked By
Prashant Ballal

Reviewed & Authorised by
Authorised Signatory
(N.Kalyan/Kartik K. Iyer)
(Proprietor/Chief Executive Officer)

1. This report relates only to the sample(s) submitted and tested. 2. Report shall not be reproduced, except in full, without prior written permission of ELCA LABORATORIES. 3. Any correction to report without authorization invalidates report. 4. The laboratory is responsible for all the information provided in the report, except for the information provided by the customer, which is documented in Sample description and/or otherwise identified. This is as provided by the customer in their checklist, label or test record and not verified by ELCA. 5. Sample(s) are submitted by the customer and not drawn by ELCA LABORATORIES. 6. Where statement of conformity to a specification or standard for the test (e.g. pass/fail) is required, the decision rule with simple acceptance without application of measurement uncertainty is applied by ELCA. In case if the customer needs uncertainty to be applied, the decision rule used by ELCA is as per IAG: 08:002019 with the necessary risk and guard band (if 1U). 7. The above tests are not covered under NABL Scope of Accreditation.

(Other Terms & Conditions Overleaf) Format : Form IQMS / 005b - 2 w.e.f. : 30.04.2024



TEST REPORT

Test Report Issued To:

VERAIZEN EARTHING PRIVATE LIMITED

UNIT NO. 1 & 2, HEENA INDUSTRIAL ESTATE.,
NAIKPADA RD, BEHIND BARMASHELL PETROL PUMP,VASAI
(E),
PALGHAR, MAHARASHTRA - 401208,
INDIA

Test Report No: M250613002/M250613002-10
Issue Date: 29-Jun-2025
Sample Booking/Receipt Date: 13-Jun-2025
Test Start Date: 23-Jun-2025
Test Completion Date: 29-Jun-2025



Customer Relationship Number 85058

Sample Description :
EARTH INSPECTION PIT 245X245MM



Customer Reference No :
EMAL DT. 27/05/2025

Kind Attention : SHARUP JAIN
E-Mail: info@veraizenearthing.com

Contact No: 8879331691

Sample Condition : Good

Sample Quantity (Approx) : 5 - Nos

Sample Size (Approx) : 245X245 - mm

SAMPLE NOT DRAWN BY OUR LABORATORY. THE RESULTS RELATE ONLY TO THE ITEMS TESTED

Report Issued By

Authenticity of report can be verified by mail at verification@spectrolab.in
This is a Digitally Signed Report and hence doesn't require Physical Signature.

Legal Entity: Spectro Analytical Labs Private Limited (formerly Spectro Analytical Labs Limited), CIN : U74220DL1998PTC092698
(part of Eurofins Scientific SE)

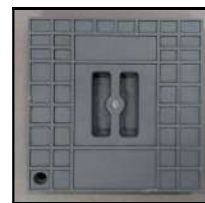
S-1, GNEPIP, Surajpur Industrial Area, Phase-V, Kasna, Greater Noida-201308 (India)
+91-120-2341252, +91-11-40522000, +91-11-41611000 | www.spectro.in | care@spectro.in

Report No. M250613002/M250613002-10

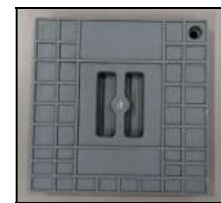
TEST REPORT

ID-M250613002-1

Sr. No.	Name of the Test	Test Method	Results/ Observation
1	UV Exposure Irradiance: 0.89 W/m ² @340nm. Duration: - 100 Hrs.	ASTM G154	No significant visual changes observed after exposure.
2	Load Capacity @ 30000N	ASTM D695 Guideline	No break of deformation observed.



Before UV Exposure test



After UV Exposure Test

Sumit Kumar

Reviewed By

Authorised Signatory

Legal Entity: Spectro Analytical Labs Private Limited (formerly Spectro Analytical Labs Limited), CIN : U74220DL1998PTC092698
(part of Eurofins Scientific SE)

S-1, GNEPIP, Surajpur Industrial Area, Phase-V, Kasna, Greater Noida-201308 (India)
+91-120-2341252, +91-11-40522000, +91-11-41611000 | www.spectro.in | care@spectro.in

SPECTRO
Analytical Labs Limited
CIN: U74220DL1998PLC092698

TEST REPORT
Report No. D210411018/D210411018-11

Format No: SALLGN/TRF/GEN
Issue No: 01, Issue Date: 01.04.17
Page 2 of 2

SR.NO.	TEST PARAMETER	RESULT	TEST METHOD
1.	ELECTRICAL RESISTIVITY TEST:	0.2 Ω.m	IEC 62561-7:2018

Analyst Signature: *[Signature]*
Testing: TC-6314

U.L.R.-TC63142100004301F
Digitally signed by ISHANT JOSHI
Date: 2021.04.12 09:39:44 +05:30
Authorized Signatory

Spectro Analytical Labs Limited
S-1, GNEPIP, Surajgar Industrial Area, Phase-V, Katsra, Greater Noida-201308 (India)
Phone: +91-120-2341250, 2341251 || URL: www.spectro.in || Email: care@spectro.in
BIS & DDA Approved, ISO 9001:2015, ISO 14001:2015 & ISO 45001:2018 Certified Laboratory

CERTIFIED
ISO 9001:2015
ISO 14001:2015
ISO 45001:2018

BOMBAY TEST HOUSE PVT LTD
Testing | Inspection | Certification
www.bombaytesthouse.com

Central Laboratory: Fourth Floor, Unit No. 1, Banking Complex II, Plot No 9 & 10, Sector 19-A, Vashi (E), Palghar-401 208 Maharashtra
Enquiry: +91 22 4123 9185
+91 22 2783 1910 / +91 22 2783 1911
+91 91379 19890 / +91 81690 66785
enquiry@bombaytesthouse.com
bombaytesthouse@gmail.com
CIN : U74907GZ2011PTCO17261

TEST REPORT
Date: 09 Apr 2022
No. BTH/TR/000034/66/22-23

M/S. Vereizen Earthing Pvt. Ltd.
Unit No. 4, Bldg No.2, Raj Prabha Mohan Ind. Estate, Naik Pada, Waliv, Vasai (E), Palghar-401 208 Maharashtra
Sample submitted by: Party
E.mail: info@vereizenearthing.com

Sample Name: **Advance Ground Enhancement Compound (Earthing)**
Received by us On: 05 Apr 2022
Description: Powder
Qty: 1 Kg
Packing Details: Plastic Powder
Analysis Started On: 05 Apr 2022
Completed On: 09 Apr 2022

Sr.No	Parameter	Test Method	Unit	Results
Chemical & Physical				
1	Bulk Density	Inhouse method	gm/cc	0.9920
2	pH	pH Meter	--	7.84
3	Water Solubility Test	Inhouse method	--	Soluble in water
Instrumental				
4	Sulphur as S	Bomb Calorimeter	%	1.05

End of the test report.

Ms. Manisha Gawand
Technical Manager
Authorized Signatory

BRANCH LABORATORIES : SALEM - VISAKHAPATNAM - BALLARI

Subodh
Precise Analysis, Proficient Results
MATERIAL SCIENCE CENTER

Certificate No. TC-8225
Laboratory Accredited by NABL
As per ISO / IEC - 17025 (2017)

TEST REPORT
U.L.R. - TC822519600036070P
Date: 02-12-2019

Report No. 55942
Party's Name & Add. M/s Vereizen Earthing Pvt.Ltd
Gal.No.4,Bldg.No.2,Raj Prabha Mohan Ind Est Naik Pada,Waliv,Vasai (E) Palghar-Challan

Reference Ch. No. 21-11-2019
Sample Received on 21-11-2019
Sample Described As 17.2mm Dia x 3MTR Lg Earthing Rod

Tensile Test
Test Date: 27-11-2019
Discipline: Mechanical Testing, Group: Mechanical Properties of Metals
Test Method: IS 1608:2005 (RA 2017)

	Result
Sample Machined Dia. (mm)	10.02
Area (mm ²)	78.85
Gauge Length (mm)	5.65 vA
Yield Load (kN)	55.84
Ultimate Load (kN)	61.20
Final Gauge Length (mm)	55.10
Final Dia. (mm)	7.50
Final Area (mm ²)	44.17
Yield Strength (N/mm ²)	708.18
U.T.S (N/mm ²)	776.15
Elongation (%)	10.20
Reduction Area (%)	43.98
Fracture	W.G.L.

Bend Test
Test Date: 27-11-2019
Discipline: Mechanical Testing, Group: Mechanical Properties of Metals
Test Method: IS 1599-2012

	Result
Former Dia.	3 x T
Position	30°
Remark	Satisfactory

R-968, Bahale M.I.D.C., Navi Mumbai, 400701 India | E: info@subodhlabs.net
T: +91-22-27600736 / 27600737 / 27600812
www.subodhlabs.com

Subodh
Precise Analysis, Proficient Results
MATERIAL SCIENCE CENTER

Certificate No. TC-8225
Laboratory Accredited by NABL
As per ISO / IEC - 17025 (2017)

TEST REPORT
U.L.R. - TC822519600036070P
Date: 02-12-2019

Report No. 55942
Party's Name & Add. M/s Vereizen Earthing Pvt.Ltd
Gal.No.4,Bldg.No.2,Raj Prabha Mohan Ind Est Naik Pada,Waliv,Vasai (E) Palghar-Challan

Reference Ch. No. 21-11-2019
Sample Received on 21-11-2019
Sample Described As 17.2mm Dia x 3MTR Lg Earthing Rod

Adhesion Test
Test Date: 29-11-2019
Discipline: Chemical Testing, Group: Metallic coating & treatment solutions
Test Method: IS 2629:1994

	Result
Adhesion Test	Prying by knife carried out. No peel of coating
Remark	Satisfactory

Coating Thickness
Test Date: 30-11-2019
Discipline: Mechanical Testing, Group: Coating Thickness (micron)
Result: 320.00

For SUBODH TECHNOLOGISTS
V.D. Bhaskar / Anita Gollkar
Authorized Signatory

R-968, Bahale M.I.D.C., Navi Mumbai, 400701 India | E: info@subodhlabs.net
T: +91-22-27600736 / 27600737 / 27600812
www.subodhlabs.com



TEST REPORT

Test Report Number : CPRI/RLR/SCLMISC19T0256 Date: 26 November 2019

Name and Address of the Customer : M/s. VERAIZEN Earthing Pvt. Ltd.,
Gala No. 4, Bldg. No. 2, Raj Prabha Mohan Ind. Est.,
Village Waliv, Naikpada, Vasai (E),
Palghar - 401 208, Maharashtra, India.

Name and Address of the Manufacturer : M/s. VERAIZEN Earthing Pvt. Ltd.,
Gala No. 4, Bldg. No. 2, Raj Prabha Mohan Ind. Est.,
Village Waliv, Naikpada, Vasai (E),
Palghar - 401 208, Maharashtra, India.

Particulars of sample tested : Copper Bonded Electrode

Type :
Description of test sample : 17.2 mm dia. 3000 mm Long Copper Bonded
Mild Steel Electrode with welded clamp

Serial Number(s) :
Number of samples tested : One
Date (s) of Test (s) : 14 November 2019
CPRI Sample code Number(s) : SCLMISC19S0346

Particulars of tests conducted : Short-time withstand current and peak withstand current

Test in accordance with Standard / specification : Customer's instruction
Sampling plan : Not applicable
Customer's requirement : 15 kA rms for 1.0 s & 30 kA peak
Deviations if any : ---

Name of the witnessing persons :
Customer's representative : Mr. Sharup Jain, Director
Other than customer's representative : None

Test subcontracted with address of the laboratory : None

Documents constituting this report (in words) : Six
Number of Sheet(s) : One
Number of Oscillogram(s) : Nil
Number of Graph(s) : Two
Number of Photograph(s) : One
Number of Test Circuit Diagram(s) : One
Number of Drawings(s) : One

(Sakthivel P)
Test Engineer



(Swaraj Kumar Das)
Head of Division
Approved by



TEST REPORT

Test Report Number : CPRI/RLR/SCLMISC22T0848 Date: 5 September 2022

Name and Address of the Customer : M/s. VERAIZEN Earthing Pvt. Ltd.,
Unit No. 4, Building No. 2,
Raj Prabha Mohan Industrial Estate, Naik Pada,
Waliv, Vasai (E), Palghar - 401 208, Maharashtra, India.

Name and Address of the Manufacturer : M/s. VERAIZEN Earthing Pvt. Ltd.,
Unit No. 4, Building No. 2,
Raj Prabha Mohan Industrial Estate, Naik Pada,
Waliv, Vasai (E), Palghar - 401 208, Maharashtra, India.

Particulars of sample tested : 16 mm dia. 3000 mm long Copper Bonded
Mild Steel Bare Electrode with chemical compound

Type :
Description of test sample : Heter Sheet 2 of 6
Serial Number :
Number of samples tested : One

Date(s) of Test (s) : 17 August 2022
CPRI Sample code Number(s) : SC/MISC22S0365

Particulars of tests conducted : Short-time withstand current & peak withstand current

Test in accordance with Standard / specification : Customer's instructions
Sampling plan : Not applicable
Customer's requirement : 25 kA rms for 1.0 s & 60 kA peak
Deviations if any : ---

Name of the witnessing persons :
Customer's representative : Mr. Sharup Jain, Director
Other than customer's representative : None

Test subcontracted with address of the laboratory : None

Documents constituting this report (in words) : Six
Number of Sheet(s) : One
Number of Oscillogram(s) : Nil
Number of Graph(s) : Two
Number of Photograph(s) : One
Number of Test Circuit Diagram(s) : One
Number of Drawings(s) : One

(S. Venkatesanmaiah)
Test Engineer



(Swaraj Kumar Das)
Head of Division
Reviewed & Authorized by



TEST REPORT

Test Report Number : CPRI/RLR/SC/MISC22T0848 Date: 5 September 2022

Name and Address of the Customer : M/s. VERAIZEN Earthing Pvt. Ltd.,
Unit No. 4, Building No. 2,
Raj Prabha Mohan Industrial Estate, Naik Pada,
Waliv, Vasai (E), Palghar - 401 208, Maharashtra, India.

Name and Address of the Manufacturer : M/s. VERAIZEN Earthing Pvt. Ltd.,
Unit No. 4, Building No. 2,
Raj Prabha Mohan Industrial Estate, Naik Pada,
Waliv, Vasai (E), Palghar - 401 208, Maharashtra, India.

Particulars of sample tested : 26 mm dia. 3000 mm long Copper Bonded
Mild Steel Electrode with chemical compound

Type :
Description of test sample : Heter Sheet 2 of 6
Serial Number :
Number of samples tested : One

Date(s) of Test (s) : 17 August 2022
CPRI Sample code Number(s) : SCLMISC22S0605

Particulars of tests conducted : Short-time withstand current & peak withstand current

Test in accordance with Standard / specification : Customer's instructions
Sampling plan : Not applicable
Customer's requirement : 42 kA rms for 1.0 s & 100 kA peak
Deviations if any : ---

Name of the witnessing persons :
Customer's representative : Mr. Sharup Jain, Director
Other than customer's representative : None

Test subcontracted with address of the laboratory : None

Documents constituting this report (in words) : Six
Number of Sheet(s) : One
Number of Oscillogram(s) : Nil
Number of Graph(s) : Two
Number of Photograph(s) : One
Number of Test Circuit Diagram(s) : One
Number of Drawings(s) : One

(S. Venkatesanmaiah)
Test Engineer



(Swaraj Kumar Das)
Head of Division
Reviewed & Authorized by



TEST REPORT

SHEET 1 OF 5

NAME & ADDRESS OF CUSTOMER	TEST REPORT NO.: RP-2223-011879 DATE OF ISSUE: 11/07/2022
VERAIZEN EARTHING PRIVATE LIMITED Gala No. 4, Bldg No. 2, Raj Prabha Mohan Ind Est, Naik Pada, Waliv Village, Vasai (E), Palghar, 401208.	CUSTOMER REF. NO.: Letter DATED: 08/06/2022
	DATE OF SAMPLE RECEIPT: 22/06/2022 DATE OF TESTING: 08/07/2022 to 09/07/2022
SAMPLE DESCRIPTION (As provided by customer) Copper Bonded Solid Electrode 25mm x 3000mm	SAMPLE IDENTIFICATION ERDA SAMPLE CODE NO.: ERDA-00470515
Earthing Rod Raw Material : Low Carbon Steel & Copper Bonded 254 microns Earthing Rod Length : 3000mm Earthing Rod Dia. : 25mm	TYPE DESIGNATION: Copper Bonded Solid Electrode 25mm x 3000mm
Rated short time withstand current & its duration: 30 kArms for 1 sec. Quantity (Tested): 1 No.	SERIAL NO.: 1
TEST DETAILS Short time withstand current tests	TEST SPECIFICATIONS As per customer's requirement
ENCLOSURES: Number of oscillogram : One Number of photograph : One Number of test circuit diagram : One Number of Drawings : One	
REMARKS: Test results as per enclosures.	
PREPARED BY	CHECKED BY
	J. R. TAHILWANI APPROVED BY

Note: 1. This report relates only to the particular sample received for testing in good condition at ERDA, Vadodra.
2. This report cannot be reproduced in part under any circumstances.
3. Publication of this report requires prior permission in writing from Director, ERDA.
4. Only the tests asked for by the customer have been carried out.
5. Particulars of manufacturer/supplier, given in this report are based on information supplied by the customer, along with the test request/sample. ERDA does not assume any responsibility for the correctness of the information for above mentioned Sample Under Test (SUT). ERDA will not be responsible for any changes in SUT made after the test. This test report is given as per document status while testing.
6. In case of any dispute, Vadodra will be the exclusive jurisdiction & shall be construed as where the cause of action arises.
Caution: ERDA is not responsible for the authenticity of photocopied or reproduced test reports.
ERDA provides support to customers for verification of the authenticity of test reports issued by ERDA.

