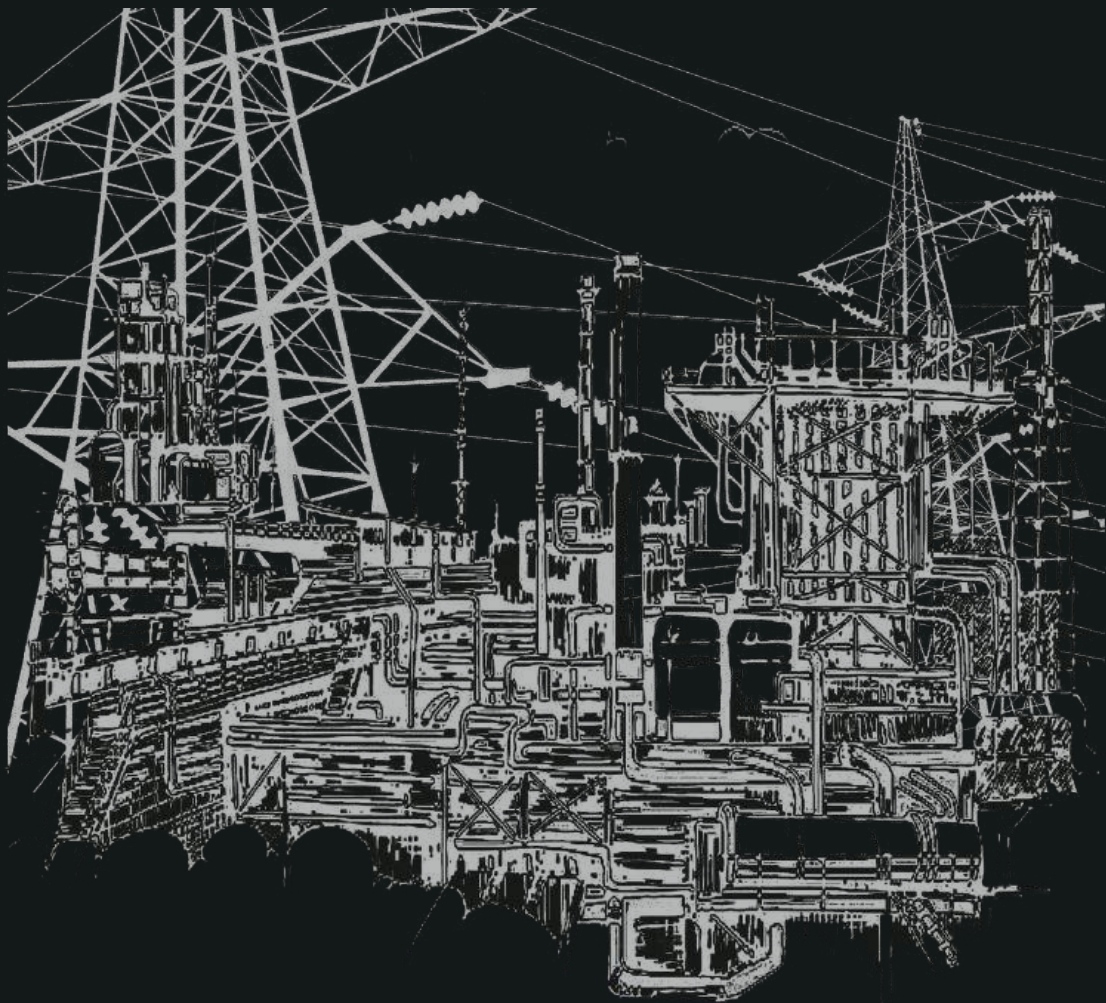




ELETTRO[®]

Strong Connections, Stronger Performance....



CATALOGUE



ELETTRO

Strong Connections, Stronger Performance...

Your Reliable Source for Electrical Panel Accessories

Introduction :

Elettro is a reputable brand in the electrical industry, specializing in the production of a diverse range of high-quality electrical panel accessories. With a commitment to innovation, reliability, and customer satisfaction, Elettro has established itself as a leading provider of essential components for electrical panels. The company's website, <https://www.elettro.in/>, serves as a comprehensive platform where customers can explore their extensive product catalog and access valuable information and resources.

Product Range :

Elettro offers an impressive array of electrical panel accessories that cater to the needs of various industries and applications. Their product range includes air vents, junction boxes, flexible conduit pipes, cable ties and much more. From miniature components for compact panels to heavy-duty accessories for industrial setups, Elettro ensures that their offerings meet the highest standards of quality, performance, and safety.

Quality and Reliability :

At Elettro, quality and reliability are at the core of their operations. The company employs rigorous quality control measures throughout the manufacturing process to ensure that every product that leaves their facility meets stringent industry standards. By utilizing cutting-edge technology, superior materials, and advanced testing methods, Elettro guarantees the durability and performance of their electrical panel accessories, ensuring they can withstand demanding environments and provide reliable electrical connections.

Innovation and Customization :

Elettro understands the importance of staying ahead in a rapidly evolving industry. With a team of skilled engineers and designers, the company continuously innovates to develop new and improved products that meet the evolving needs of their customers. Furthermore, Elettro offers customization options, allowing clients to tailor their electrical panel accessories to specific requirements. This commitment to innovation and customization sets Elettro apart as a trusted partner for clients seeking specialized solutions.

Conclusion :

Elettro is a leading brand in the electrical industry, renowned for its extensive range of high-quality electrical panel accessories. With a commitment to quality, reliability, and innovation, the company has become a trusted partner for clients across diverse sectors. Whether you need components for residential, commercial, or industrial applications, Elettro's comprehensive product catalog and dedication to customer satisfaction make them the go-to choice for all your electrical panel accessory needs.

Innovate Trust Deliver

Our Mission

Mission Statement :

Elettro aspires to lead the evolution of electronic accessories, perpetually redefining the industry landscape. Our unwavering commitment to innovation aims to shape a sustainable future, providing cutting - edge solutions that redefine the way people interact with technology

Our Vision

Vision Statement :

At Elettro, our vision is to lead a global revolution in electronic accessories. We empower our team to pioneer innovations, creating user - centric technology that transcends borders, shaping a future where our advancements redefine global standards and enrich lives worldwide

Our Commitment

At Elettro, we are dedicated to delivering unmatched quality, innovation solutions, and reliable products that meet your needs. We ensure competitive pricing, exceptional services support, and on-time delivery. With a strong focus on excellence and customer satisfaction, we strive to build trust and lasting relationships with our valued clients.



Quality Assurance



Product Innovation



Complete Solutions



Price Guarantee



Instant Delivery



Service Support

Dear Customers,
Welcome to **Elettro** - a brand built on quality, innovation, and trust. At **K.N. Elettro Industries Pvt. Ltd.**, we deliver world - class electrical solutions, ensuring performance, safety, and sustainability. Thank you for your continued trust as we work together to shape a brighter and more reliable future.

Warm regards,
(Sachin S. Jain)
Director

Our Team



At Elettro, our motivated team thrives in a dynamic, collaborative environment, fostering innovation and excellence. United by passion and diverse perspectives, we craft cutting-edge electronic accessories, driven by a shared commitment to excellence.

PRODUCTION HOUSE



Elettro's advanced production house ensures high-quality electrical panel accessories with precision and durability. We focus on innovation, reliability and strict quality control.

We have Certifications

Elettro is proud to present its latest range of Electrical Panel Board Accessories, designed to meet the highest standards of safety, reliability, and efficiency. Our commitment to quality and innovation ensures that every product in our catalog exceeds customer expectations and complies with industry benchmarks.

Certified Quality and Approvals :

All our electrical panel board accessories are crafted with precision, adhering to stringent manufacturing processes. They carry the necessary certifications and approvals from recognized authorities, ensuring compliance with global standards. The certifications our products hold are a testament to their durability, high performance, and safety under varied operating conditions.



SGS compliant



ERDA compliant



SGS compliant



SGS compliant



IP compliant

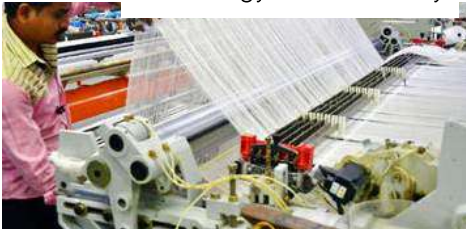
Industries we cater to

INDUSTRY :

"Unveiling Elettro's diverse electronic accessories catering to multifaceted industries - from automobile and public transportation to communication and manufacturing. Our cutting-edge solutions are engineered to elevate formance and reliability across varied sectors, ensuring top - tier innovation and functionality."

Textile Industry :

Innovating the textile industry with advanced accessories for enhanced productivity, weaving technology into efficiency.



Railway Industry :

Elettro provides innovative, reliable electronic solutions, optimizing efficiency and safety in the railway industry.

Automotive Industry :

Elettro transforms the electrical and electronics sector with advanced accessories and solutions, redefining innovation in the industry.



Telecom Industry :

Elettro is at the forefront of revolutionizing the telecom industry with advanced and cutting-edge solutions in electronic accessories.

Pharmaceutical Industry :

Advancing pharmaceutical technology with state-of-the-art electronic accessories for enhanced efficiency and precision.



Industries we cater to

Electronics and Electrical Industry :

Elettro transforms the electrical and electronics sector with advanced accessories and solutions, redefining innovation in the industry.



Aerospace Industry :

Elettro pioneers advanced electronic accessories, setting new industry standards, catering specifically to the aerospace sector as well.



Chemical Industry :

Innovating chemical industry solutions with cutting-edge electronic accessories and top-tier support services.

Thermal Plant Industry :

Innovating thermal plant solutions with cutting-edge electronic accessories. Empowering efficiency, reliability, and progress.



Growth Timeline

Elettro: A Decade of Excellence

2015: The Beginning of Our Journey

Elettro was founded by **Sachin Sharad Jain** in January 2015, starting with a single product, **air vents**, and a dedicated team of just 10 people. This marked the beginning of a vision driven by quality and innovation.

2017: Expanding Horizons

In 2017, Elettro shifted its manufacturing facilities to **Daman**, increasing manufacturing capacity by **7 times**. The team grew to **40 members**, and the facility was equipped with **five high-tech molding machines**. This expansion allowed us to introduce a new and diverse range of **junction boxes**.

2019: Venturing into Cable Ties

By 2019, Elettro entered the **cable ties segment**, doubling production capacity in terms of machinery and workforce. This significant growth cemented our reputation as a versatile and reliable manufacturer.

2022: Innovations and Resilience

In 2022, Elettro expanded its product portfolio by introducing **flexible conduit pipes** and installing **state-of-the-art extruder machines**. This upgrade increased our production capacity by approximately 25% and reinforced our commitment to innovation and quality.

2024–2025: A Milestone Year

Despite a **major fire incident** in March, we demonstrated remarkable resilience, bouncing back with a **new facility within a month**, ensuring uninterrupted service to our clients. This period marked our most successful year in terms of revenue, with the team growing to **100 members**. We **doubled the size of our plant** and solidified our position in the market.

2025: Stepping into Automation

Elettro aims to embrace **automation**, integrating advanced robotic and machinery systems to enhance efficiency and scale production with a similar product portfolio.

2028: A Vision for Global Growth

Looking ahead, Elettro plans to **double production facilities** with high-end automation and explore **overseas markets**, driving innovation and growth on a global scale.

Elettro is proud of its journey and committed to building a brighter, more sustainable future.

I N D E X

01	AIR VENTS	
1.1	Air vent Economic series	12
1.2	Air vent premium series oval design	19
1.3	Air vent with EPDM gasketing	23
02	FINGER GUARDS	
2.1	ABS fan finger guards	30
2.2	Metal fan finger guards	34
03	JUNCTION BOXES	
3.1	P.C Junction boxes	42
3.2	ABS Junction boxes	46
3.3	ABS Distribution boxes	52
3.4	Camera boxes	56
04	CONDUIT PIPES & GLANDS	
	Polyamide flexible conduit & slitted pipe	60
	Polyamide flexible conduit Clamp	62
	Polyamide flexible conduit PG Glands	64
	Polyamide flexible conduit Metric Glands	66
	Polyamide flexible conduit 90° Elbow Glands	68
	Self Adhesive Gasket tape EVA foam	70
05	CABLE TIES	
	Nylon 66 cable Ties	74
	Grade 304 stainless steel Non-Releasable cable Ties	76
	Grade 316 stainless steel Non-Releasable cable Ties	78
06	PUSH BUTTON STATION	
	Push Button Station	81
07	TOGGLE SWITCHES	
	Toggle Switches	85
	Panel Door Switches	87
08	OTHER ACCESSORIES	
	Handles,Side lock,Blanker	90,91
	Legend Plants ,Hinges, Tie mounts	92,93
	Document Holders , End stopper	94,95

WHERE INNOVATION MEETS VENTILATION



01

AIR VENTS

Introducing Elettro Industrial Air Vent: The pinnacle of performance and reliability in the ventilation Industry. Designed to optimize airflow in large - scale Industrial setting, our cutting-edge air vent guarantee superior air quality and temperature control. With its advanced engineering and durable construction, Elettro ensures maximum efficiency and longevity, even in the harshest condition. Say goodbye to stagnant air and hello to a fresh, revitalized atmosphere. Whether it"s a factory, warehouse, or manufacturing facility, Elettro is your trusted partner in maintaining optimal working conditions. Experience the power of Elettro and revolutionize your industrial ventilation system today. Breathe easier, work smarter, with Elettro Industrial Air Vent and performance.

1.1

AIR VENTS ECONOMIC SERIES

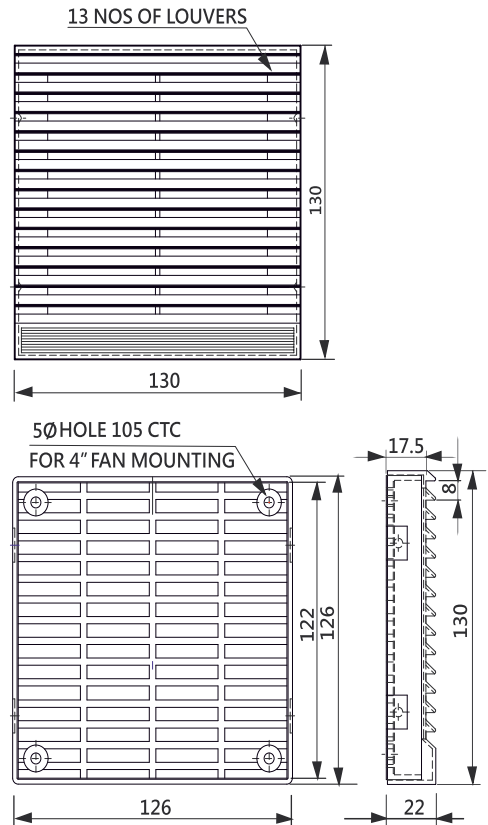


ETAV - 01



Size	130 mm x 130 mm [screw fit]
Colour shade	RAL -7035 / RAL -7032
Material	ABS
Dust fabric filter	180 gsm, 10-15mm thick 25-30 Micron
Nut & screw	Mild steel (zinc plated)
Suitable for cooling fan	4" Sq. 120mm x 120mm x 38 mm
Density	Approximately 1.20 g/Cm ²
Approvals	

*Black color available on request

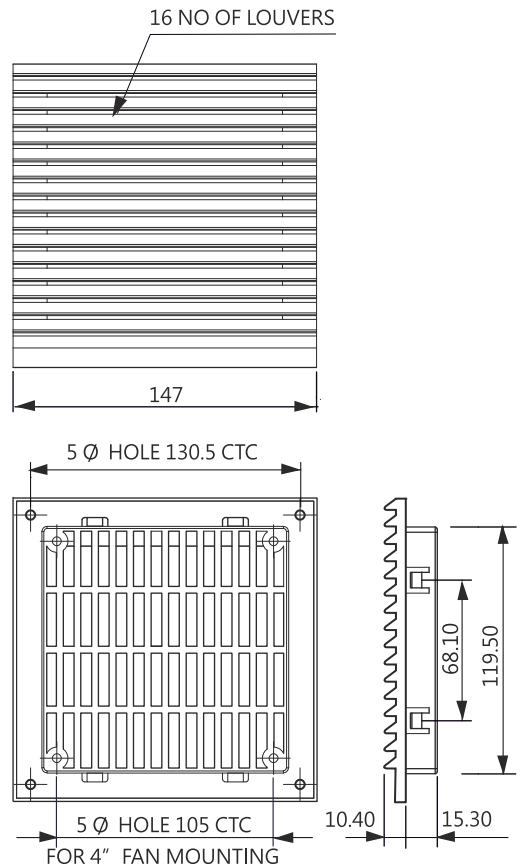


ETAV - 02



Size	147 mm x 147 mm [snap fit]
Colour shade	RAL -7035 / RAL -7032
Material	ABS
Dust fabric filter	180 gsm, 10-15mm thick 25-30 Micron
Nut & screw	Mild steel (zinc plated)
Suitable for cooling fan	4" Sq. 120mm x 120mm x 38 mm
Density	Approximately 1.20 g/Cm ²
Approvals	

*Black color available on request

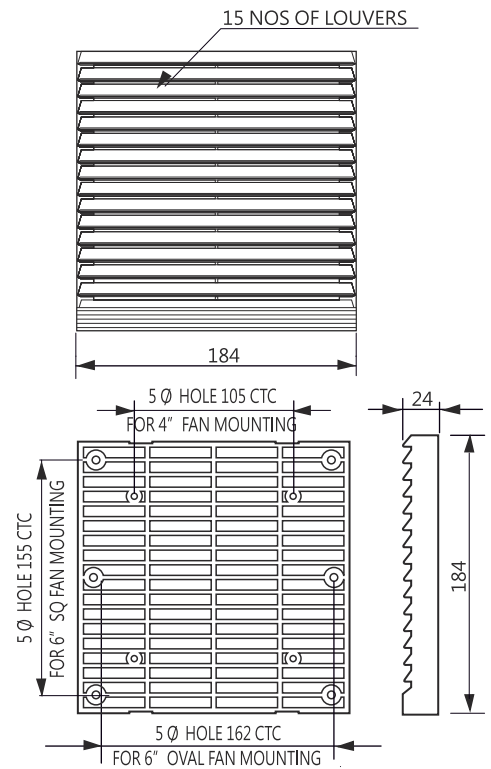


ETAV - 03



Size	184 mm x 184 mm [screw fit]
Colour shade	RAL -7035 / RAL -7032
Material	ABS
Dust fabric filter	180 gsm, 10-15mm thick 25-30 Micron
Nut & screw	Mild steel (zinc plated)
Suitable for cooling fan	4" Sq. 120mm x 120mm x 38mm 6" Sq. 172mm x 172mm x 55mm 6" Oval. 172mm x 150mm x 51mm
Density	Approximately 1.20 g/Cm ²
Approvals	

*Black color available on request

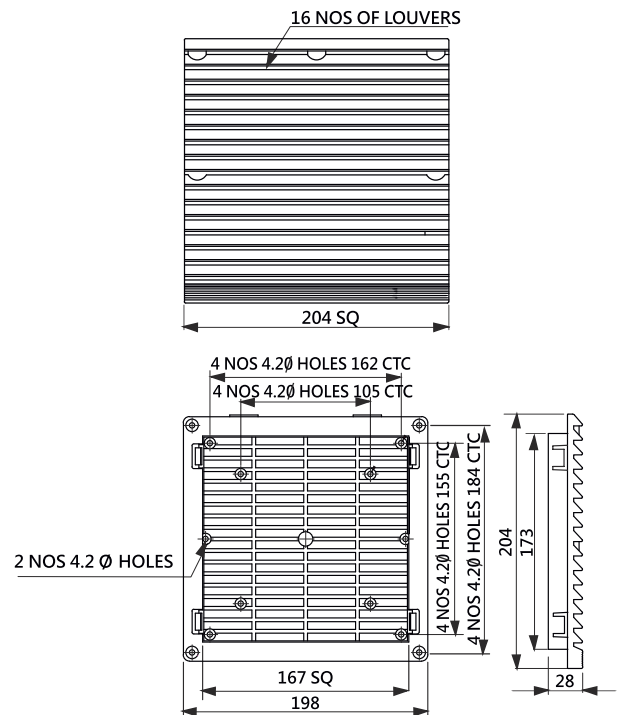


ETAV - 04




Size	204 mm x 204 mm [snap fit]
Colour shade	RAL -7035 / RAL -7032
Material	ABS
Dust fabric filter	180 gsm, 10-15mm thick 25-30 Micron
Nut & screw	Mild steel (zinc plated)
Suitable for cooling fan	4" Sq. 120mm x 120mm x 38mm 6" Sq. 172mm x 172mm x 55mm 6" Oval 172mm x 150mm x 51mm
Density	Approximately 1.20 g/Cm ²
Approvals	

*Black color available on request

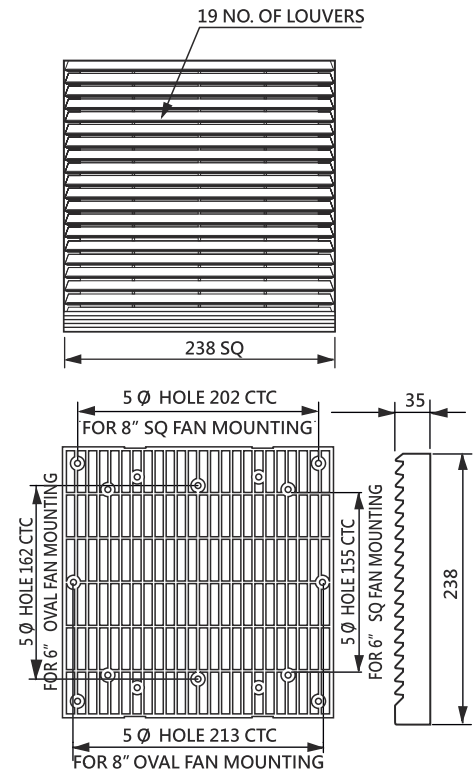


ETAV - 05



Size	238 mm x 238 mm [screw fit]
Colour shade	RAL -7035 / RAL -7032
Material	ABS
Dust fabric filter	180 gsm, 10-15mm thick, 25-30 Micron
Nut & screw	Mild steel (zinc plated)
Suitable for cooling fan	6" Sq. 172 mm x 172 mm x 55 mm 6" Oval. 172 mm x 150 mm x 51 mm 8" Sq. 220 mm x 220 mm x 60 mm 8" Round. Ø 220 mm x 60 mm
Density	Approximately 1.20 g/Cm ²
Approvals	

*Black color available on request

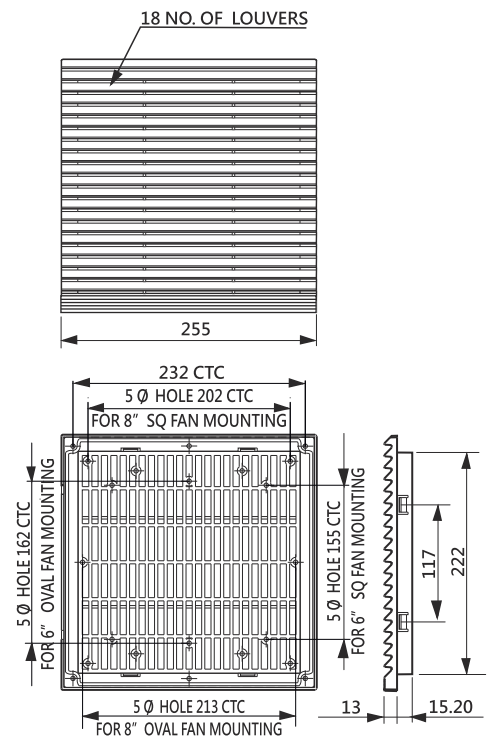


ETAV - 06



Size	255 mm x 255 mm [snap fit]
Colour shade	RAL -7035 / RAL -7032
Material	ABS
Dust fabric filter	180 gsm, 10-15mm thick, 25-30 Micron
Nut & screw	Mild steel (zinc plated)
Suitable for cooling fan	6" Sq. 172 mm x 172 mm x 55 mm 6" Oval. 172 mm x 150 mm x 51 mm 8" Sq. 220 mm x 220 mm x 60 mm 8" Round. Ø 220 mm x 60 mm
Density	Approximately 1.20 g/Cm ²
Approvals	

*Black color available on request

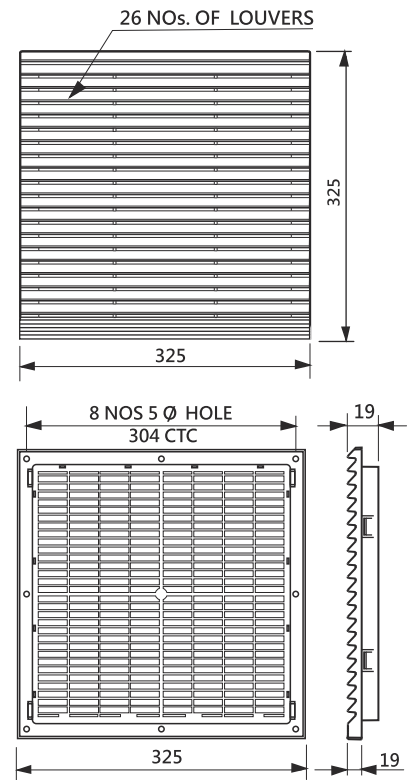


ETAV - 09



Size	325 mm x 325 mm [snap fit]
Colour shade	RAL -7035 / RAL -7032
Material	ABS
Dust fabric filter	180 gsm, 10-15mm thick, 25-30 Micron
Nut & screw	Mild steel (zinc plated)
Suitable for cooling fan	8" Sq. 220 mm x 220 mm x 60 mm 8" Oval. Ø 220 mm x 60 mm
Density	Approximately 1.20 g/Cm ²
Approvals	

*Black color available on request

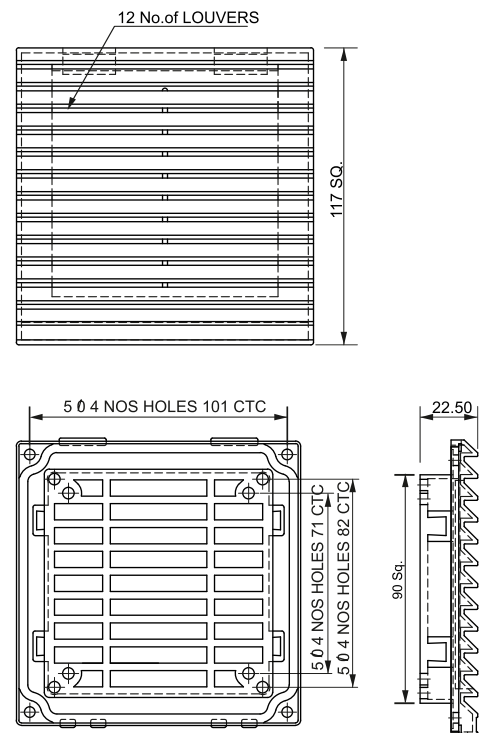


ETAV - 10



Size	117 mm x 117 mm [snap fit]
Colour shade	RAL -7035
Material	ABS
Dust fabric filter	180 gsm, 10-15mm thick, 25-30 Micron
Nut & screw	Mild steel (zinc plated)
Suitable for cooling fan	3" Sq. 80 mm x 80 mm x 25 mm 3.5" Sq. 92 mm x 92 mm x 25 mm
Density	Approximately 1.20 g/Cm ²
Approvals	

*Black color available on request

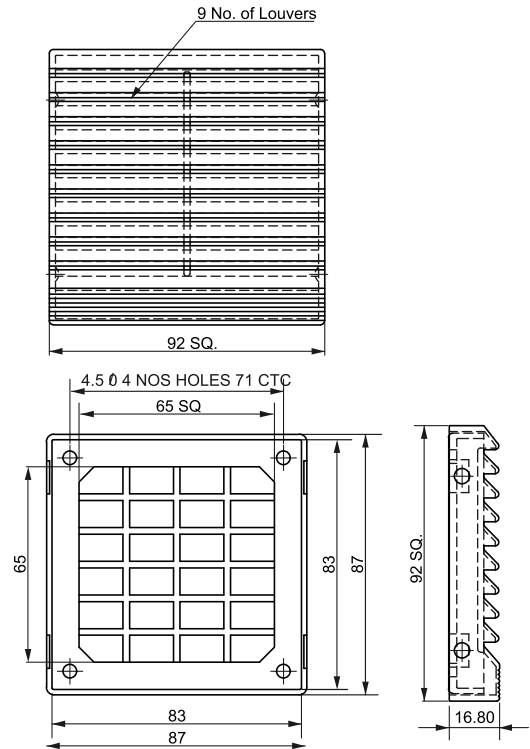


ETAV - 11



Size	90 mm x 90 mm [screw fit]
Colour shade	RAL -7035
Material	ABS
Dust fabric filter	180 gsm, 10-15mm thick, 25-30 Micron
Nut & screw	Mild steel (zinc plated)
Suitable for cooling fan	3" Sq. 80 mm x 80 mm x 25 mm
Density	Approximately 1.20 g/Cm ²
Approvals	

*Black color available on request

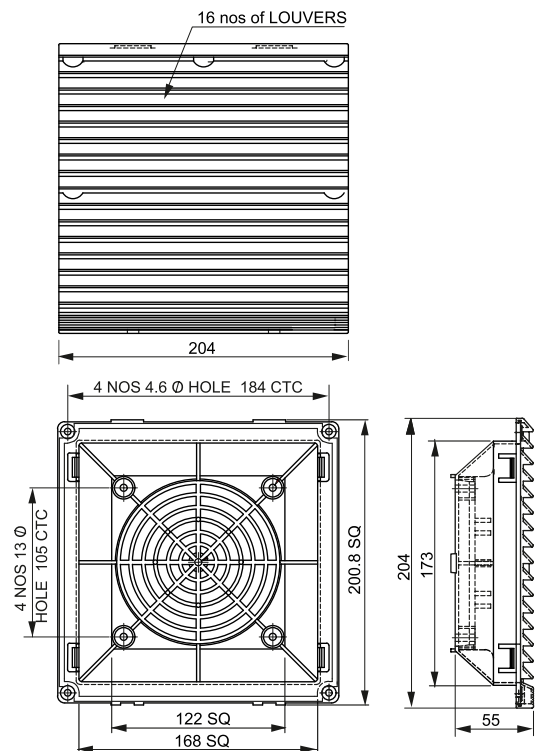


ETAV - 204/DT

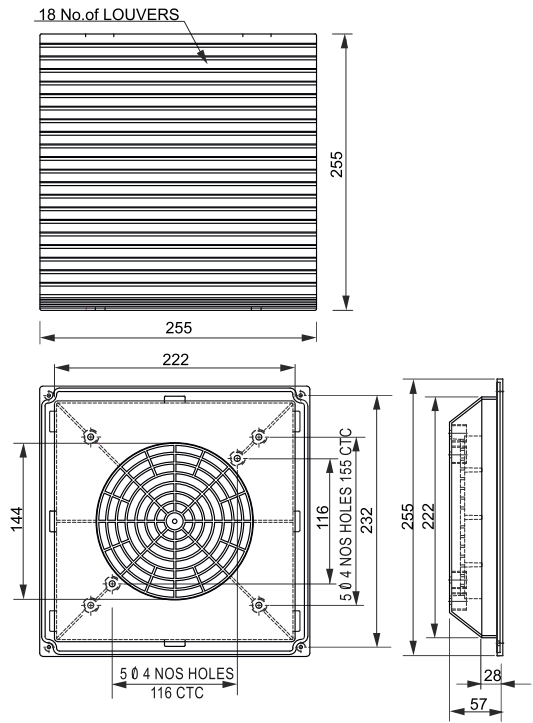


Size	204 mm x 204 mm [snap fit doom type]
Colour shade	RAL -7035
Material	ABS
Dust fabric filter	180 gsm, 10-15mm thick, 25-30 Micron
Nut & screw	Mild steel (zinc plated)
Suitable for cooling fan	4" Sq. 120 mm x 120 mm x 38 mm
Density	Approximately 1.20 g/Cm ²
Approvals	

*Black color available on request



ETAV - 255/DT

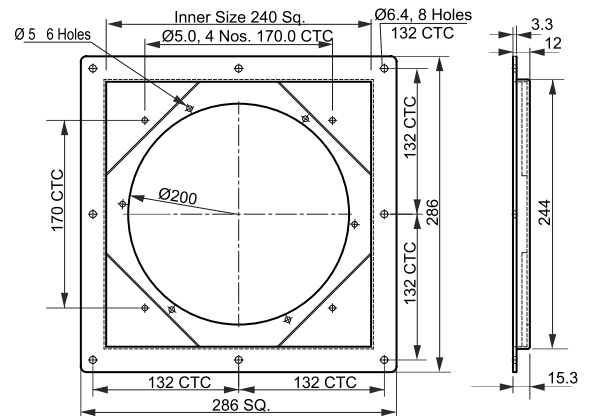
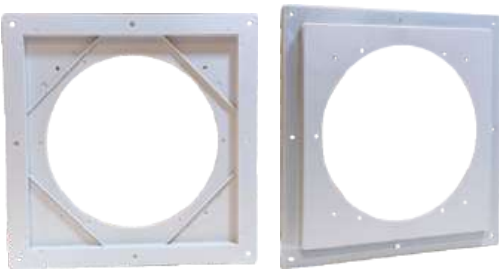


Size	255 mm x 255 mm [snap fit doom type]
Colour shade	RAL -7035
Material	ABS
Dust fabric filter	180 gsm, 10-15mm thick, 25-30 Micron
Nut & screw	Mild steel (zinc plated)
Suitable for cooling fan	6" Sq. 172 mm x 172 mm x 55 mm 6" Oval. 172 mm x 150 mm x 51 mm
Density	Approximately 1.20 g/Cm ²

Approvals

*Black color available on request

ETAD - 285



Size	285 mm x 285 mm [screw fit]
Colour shade	RAL -7035
Material	ABS
Suitable for cooling fan	8" Sq. 220 mm x 220 mm x 60 mm 8" Round. Ø 220 mm x 60 mm
Density	Approximately 1.20 g/Cm ²

Approvals

*Black color available on request

1.2

AIR VENTS PREMIUM SERIES OVAL DESIGN

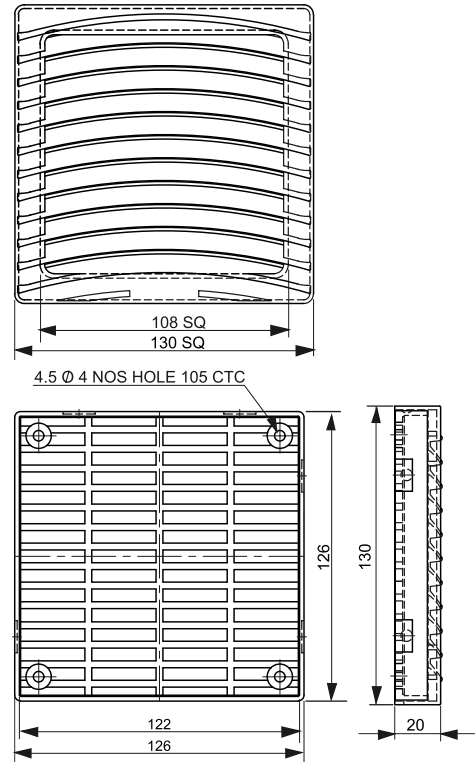


ETAV -130/4



Size	130 mm x 130 mm [screw fit]
Colour shade	RAL -7035
Material	ABS
Dust fabric filter	180 gsm, 10-15mm thick, 25-30 Micron with mesh stitching
Nut & screw	Mild steel (zinc plated)
Suitable for cooling fan	4" Sq. 120 mm x 120 mm x 38 mm
Density	Approximately 1.20 g/Cm ²
Approvals	

*Black color available on request

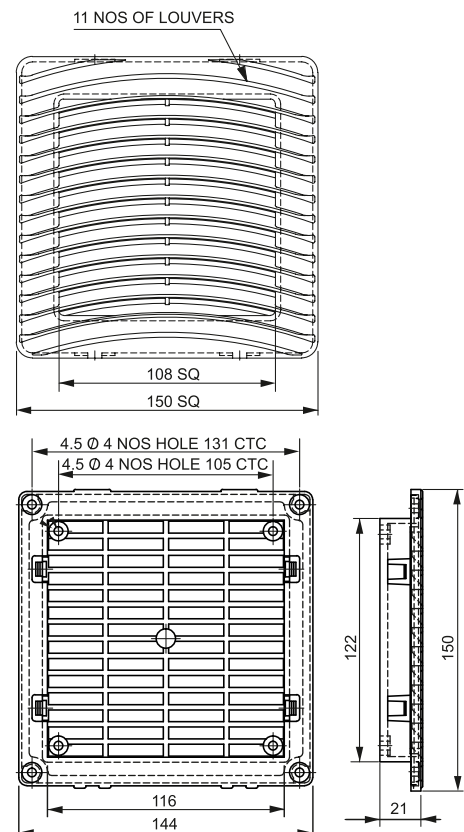


ETAV -150/SF-4

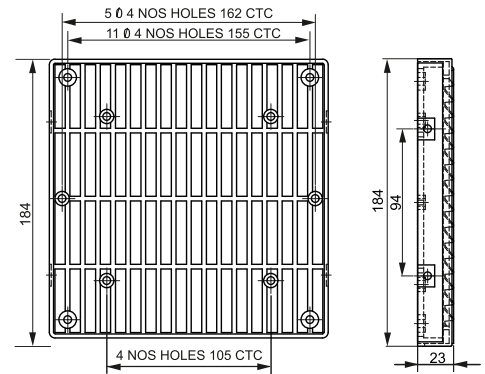
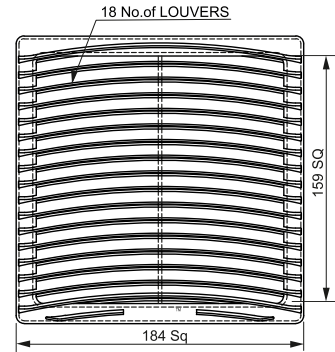



Size	150 mm x 150 mm [snap fit]
Colour shade	RAL -7035
Material	ABS
Dust fabric filter	180 gsm, 10-15mm thick, 25-30 Micron with mesh stitching
Nut & screw	Mild steel (zinc plated)
Suitable for cooling fan	4" Sq. 120 mm x 120 mm x 38 mm
Density	Approximately 1.20 g/Cm ²
Approvals	

*Black color available on request



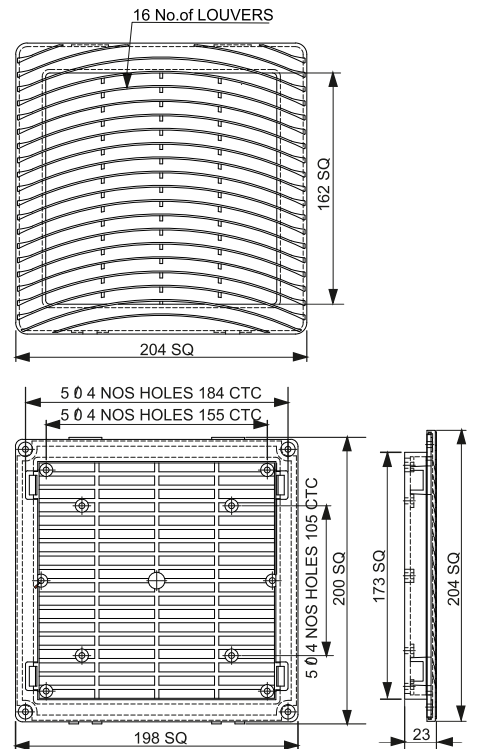
ETAV -184/6




Size	184 mm x 184 mm [screw fit]
Colour shade	RAL -7035
Material	ABS
Dust fabric filter	180 gsm, 10-15mm thick, 25-30 Micron with mesh stitching.
Nut & screw	Mild steel (zinc plated)
Suitable for cooling fan	4" Sq. 120 mm x 120 mm x 38 mm 6" Sq. 172 mm x 172 mm x 55 mm 6" Oval. 172 mm x 150 mm x 51 mm
Density	Approximately 1.20 g/Cm ²
Approvals	

*Black color available on request

ETAV -204/SF-4/6




Size	204 mm x 204 mm [snap fit]
Colour shade	RAL -7035
Material	ABS
Dust fabric filter	180 gsm, 10-15mm thick, 25-30 Micron with mesh stitching.
Nut & screw	Mild steel (zinc plated)
Suitable for cooling fan	4" Sq. 120 mm x 120 mm x 38 mm 6" Sq. 172 mm x 172 mm x 55 mm 6" Oval. 172 mm x 150 mm x 51 mm
Density	Approximately 1.20 g/Cm ²
Approvals	

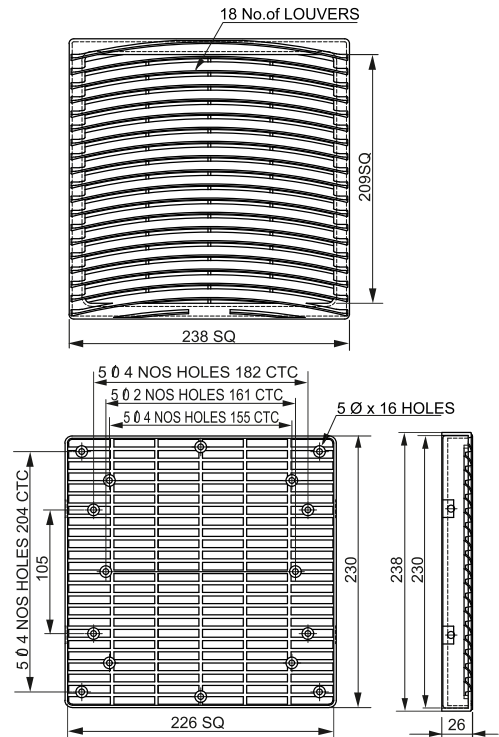
*Black color available on request

ETAV -238/8



Size	238 mm x 238 mm [screw fit]
Colour shade	RAL -7035
Material	ABS
Dust fabric filter	180 gsm, 10-15mm thick, 25-30 Micron with mesh stitching.
Nut & screw	Mild steel (zinc plated)
Suitable for cooling fan	6" Sq. 172 mm x 172 mm x 55 mm 6" Oval. 172 mm x 150 mm x 51 mm 8" Sq. 220 mm x 220 mm x 60 mm 8" Round. Ø 220 mm x 60 mm
Density	Approximately 1.20 g/Cm ²
Approvals	

*Black color available on request

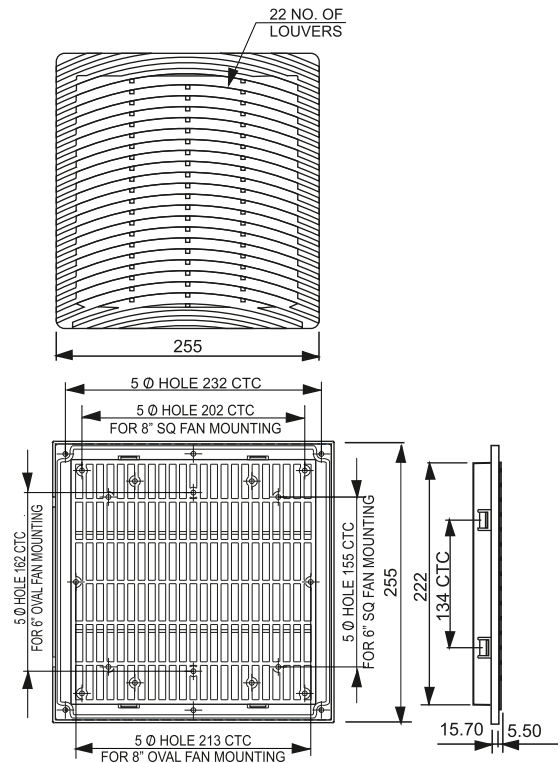


ETAV -255/SF-6/8



Size	255 mm x 255 mm [snap fit]
Colour shade	RAL -7035
Material	ABS
Dust fabric filter	180 gsm, 10-15mm thick, 25-30 Micron with mesh stitching.
Nut & screw	Mild steel (zinc plated)
Suitable for cooling fan	6" Sq. 172 mm x 172 mm x 55 mm 6" Oval. 172 mm x 150 mm x 51 mm 8" Sq. 220 mm x 220 mm x 60 mm 8" Round. Ø 220 mm x 60 mm
Density	Approximately 1.20 g/Cm ²
Approvals	

*Black color available on request



1.3


AIR VENTS

WITH E.P.D.M. GASKETING

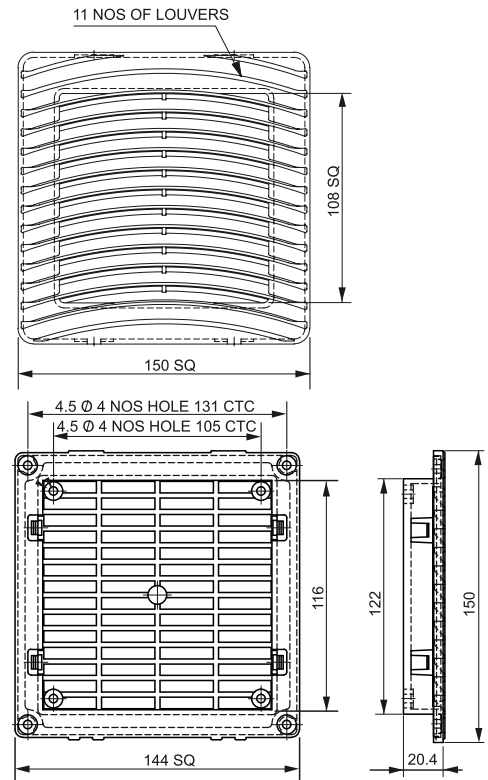


ETAV -150/SF-4EG



Size	150 mm x 150 mm [snap fit]
Colour shade	RAL -7035
Material	ABS
Dust fabric filter	180 gsm, 10-15mm thick, 25-30 Micron, fabric filter
Gasket	EPDM gasketing
Nut & screw	Mild steel (zinc plated)
Suitable for cooling fan	4" Sq. 120 mm x 120 mm x 38 mm
Density	Approximately 1.20 g/Cm ²
Approvals	

*Black color available on request

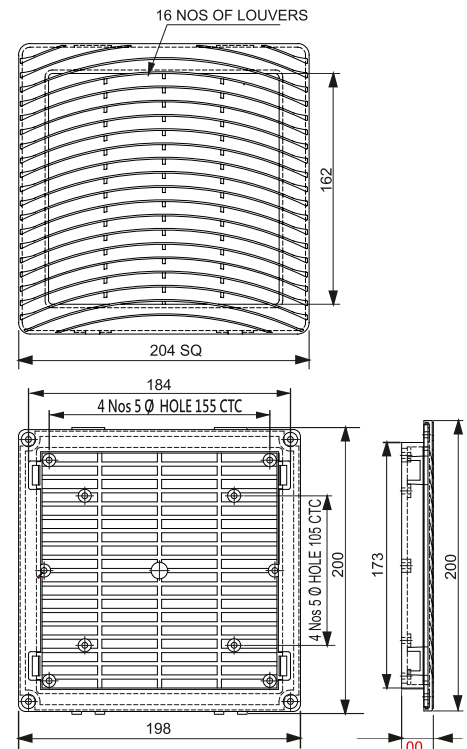


ETAV -204/SF-4/6EG



Size	204 mm x 204 mm [snap fit]
Colour shade	RAL -7035
Material	ABS
Dust fabric filter	180 gsm, 10-15mm thick, 25-30 Micron, fabric filter
Gasket	EPDM gasketing
Nut & screw	Mild steel (zinc plated)
Suitable for cooling fan	4" Sq. 120 mm x 120 mm x 38 mm 6" Oval. 172 mm x 150 mm x 51 mm 6" Sq. 172 mm x 172 mm x 55 mm
Density	Approximately 1.20 g/Cm ²
Approvals	

*Black color available on request

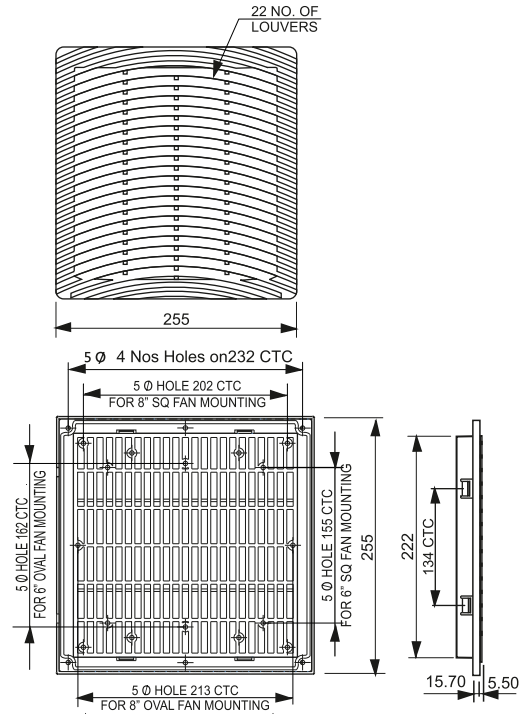


ETAV -255/SF-6/8EG



Size	255 mm x 255 mm [snap fit]
Colour shade	RAL -7035
Material	ABS
Dust fabric filter	180 gsm, 10-15mm thick, 25-30 Micron, fabric filter
Gasket	EPDM gasketing
Nut & screw	Mild steel (zinc plated)
Suitable for cooling fan	6" Sq. 172 mm x 172 mm x 55 mm 6" Oval. 172 mm x 150 mm x 51 mm 8" Sq. 220 mm x 220 mm x 60 mm 8" Round. Ø 220 mm x 60 mm
Density	Approximately 1.20 g/Cm ²
Approvals	

*Black color available on request

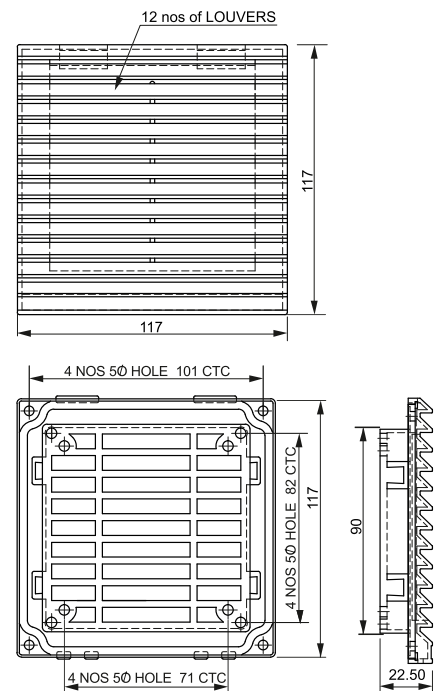


ETAV -117/SF-3/3.3EG




Size	117 mm x 117 mm [snap fit]
Colour shade	RAL -7035
Material	ABS
Dust fabric filter	180 gsm, 10-15mm thick, 25-30 Micron, fabric filter
Gasket	EPDM gasketing
Nut & screw	Mild steel (zinc plated)
Suitable for cooling fan	3" Sq. 80 mm x 80 mm x 25 mm 3.5" Sq. 92 mm x 92 mm x 25 mm
Density	Approximately 1.20 g/Cm ²
Approvals	

*Black color available on request

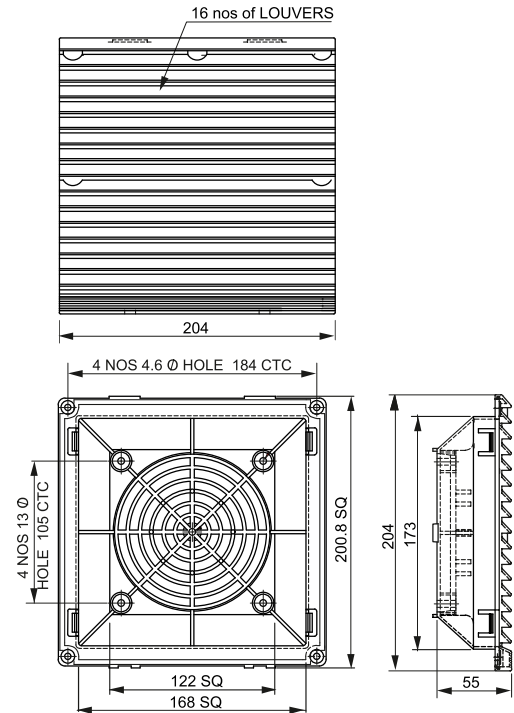


ETAV -204/DT-1EG




Size	204 mm x 204 mm [Snap fit with Doom type]
Colour shade	RAL -7035
Material	ABS
Dust fabric filter	180 gsm, 10-15mm thick, 25-30 Micron, fabric filter
Gasket	EPDM gasketing
Nut & screw	Mild steel (zinc plated)
Suitable for cooling fan	4" Sq. 120 mm x 120 mm x 38 mm
Density	Approximately 1.20 g/Cm ²
Approvals	

*Black color available on request

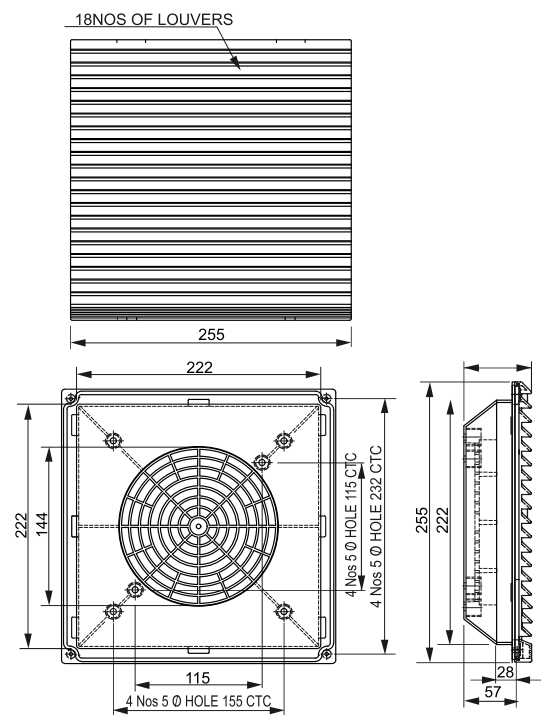


ETAV -255/DT-1EG



Size	255 mm x 255 mm [Snap fit with Doom type]
Colour shade	RAL -7035
Material	ABS
Dust fabric filter	180 gsm, 10-15mm thick, 25-30 Micron, fabric filter
Gasket	EPDM gasketing
Nut & screw	Mild steel (zinc plated)
Suitable for cooling fan	6" Oval. 172 mm x 150 mm x 51 mm 6" Sq. 172 mm x 172 mm x 55 mm
Density	Approximately 1.20 g/Cm ²
Approvals	

*Black color available on request





Purpose of Installation:

1. Ventilation

- Allows proper airflow into the electrical panel to maintain a stable temperature.
- Prevents overheating of electrical components by ensuring adequate heat dissipation.

2. Dust Protection

- Filters out dust and small particles (up to 25 microns) that could otherwise accumulate on sensitive electronic and electrical components.
- Reduces the risk of short circuits, malfunctions, and wear due to dust accumulation.

3. Durability

- Protects the longevity of the electrical panel by maintaining a clean internal environment.

Advantages:

1. Enhanced Efficiency

- ventilation improves the operational efficiency of electrical systems.

2. Reduced Maintenance

- Reduces the frequency of cleaning and maintenance needed for the internal parts of the panel.

3. Improved Safety

- Ensures safe operation by minimizing risks from dust and overheating.

4. Compliance

- Helps meet industrial standards for electrical panel hygiene and performance.

Industry Standards and Approvals:

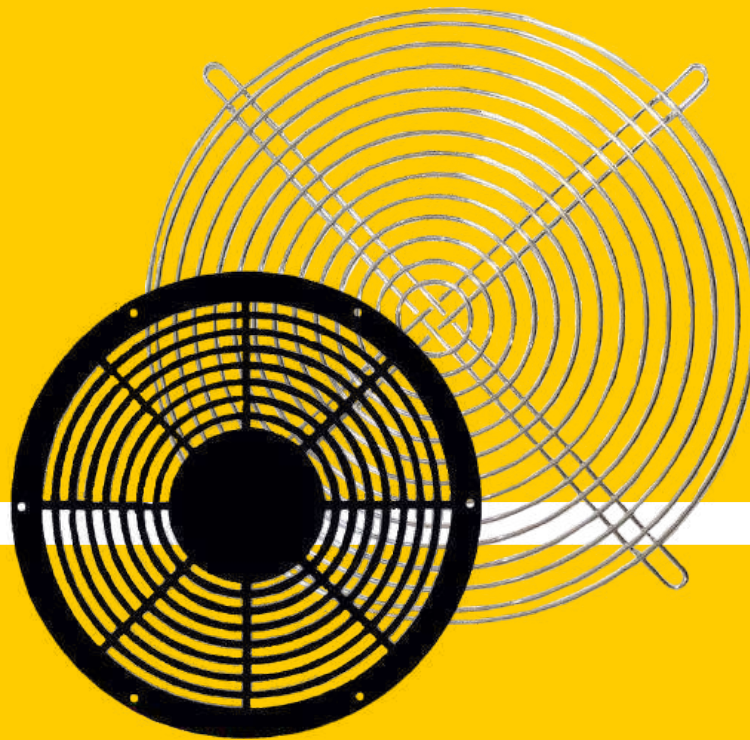
To ensure the product meets industry requirements, it typically complies with the following standards:

- 1. IP Ratings :** Ensures the enclosure is protected against dust and water ingress. The most common ratings include IP54, IP55, or higher, depending on the application.
- 2. CE Marking :** Indicates compliance with European safety and environmental regulations.
- 3. RoHS Compliance :** Ensures the product is free from hazardous substances.
- 4. ISO 9001 :** Ensures the manufacturing process adheres to quality management standards.

Benefits:

- 1. Improved Performance :** Keeps electrical components within their optimal temperature range, reducing the risk of failure.
- 2. Cost-Effective :** Reduces maintenance costs by preventing overheating and dust-related issues.
- 3. Enhanced Longevity :** Prolongs the lifespan of both the enclosure and its components.
- 4. Safety Assurance :** Complies with international safety and quality standards.

“ Elettro : Shielding Innovation for Safer Fingers!”



02

FINGER GUARDS

Plastic Fan Finger Guard

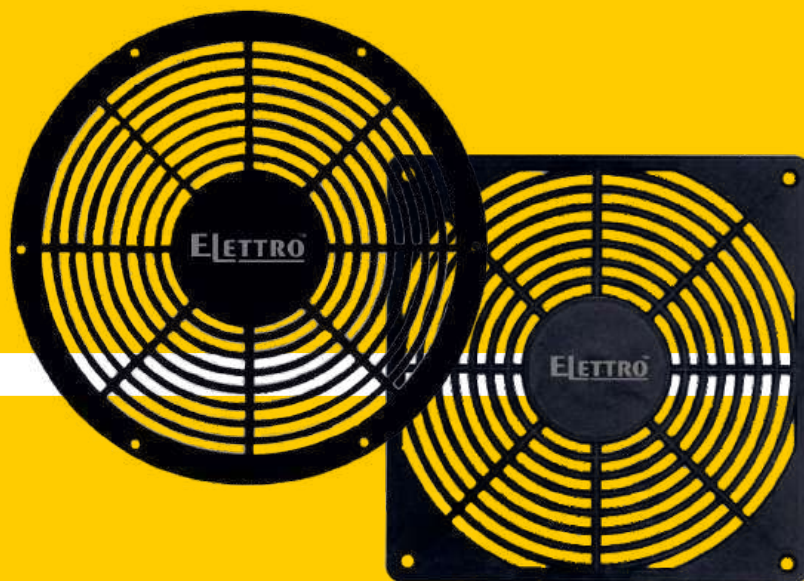
Introducing Elettro, the ultimate solution for industrial plastic fan finger guards. Engineered with precision and crafted for safety, Elettro sets a new standard in fan protection. Designed to prevent accidents and safeguard workers, our finger guards provide a reliable shield against rotating fan blades, ensuring a secure working environment. Made from high-quality industrial-grade plastic, Elettro combines durability and functionality, meeting the rigorous demands of various industrial settings. With its easy installation process and universal compatibility, Elettro offers peace of mind to businesses and employees alike. Trust Elettro for unparalleled safety and superior performance in industrial fan protection. Safety first, with Elettro.

Metal Fan Finger Guard

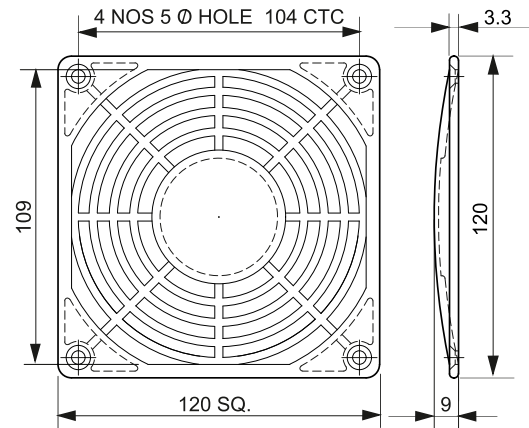
Introducing Elettro, the ultimate industrial Metal fan Finger Guard designed to enhance safety and efficiency in your workplace. Engineered with meticulous attention to detail, Elettro ensures optimal protection for workers and machinery alike. Crafted from high-quality, durable metal, this finger guard provides a robust shield against accidental contact with rotating fan blades, mitigating the risk of injuries and ensuring peace of mind. Its innovative design allows for seamless airflow while maintaining maximum security, promoting optimal ventilation and temperature regulation. With Elettro, you can prioritize safety without compromising on performance, making it the go-to choice for industrial settings that demand reliability and protection.


2.1

FAN FINGER GUARDS

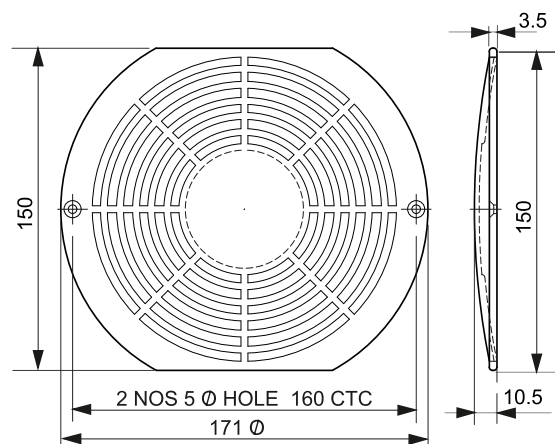



ETFG -01



Size	120 mm x 120 mm [4" Sq. Type]
Suitable for Cooling Fan	4" Sq. 120mm x 120mm x 38mm
Colour shade	BLACK
Material	ABS
Density	Approximately 1.06 g/Cm ²
Tensile Strength	Around 43 Mpa
Approvals	


ETFG -02

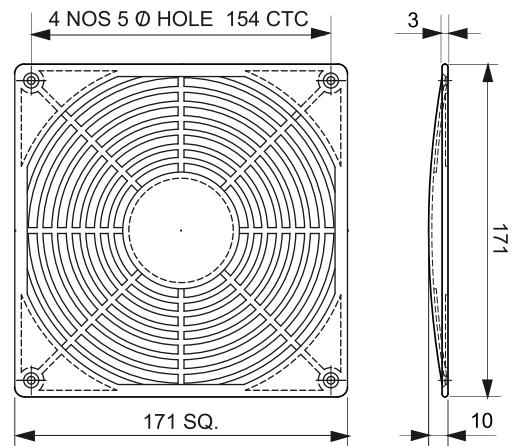


Size	172 mm x 150 mm [6" Oval. Type]
Suitable for Cooling Fan	6" Oval. 172mm x 150mm x 51mm
Colour shade	BLACK
Material	ABS
Density	Approximately 1.06 g/Cm ²
Tensile Strength	Around 43 Mpa
Approvals	

ETFG - 03




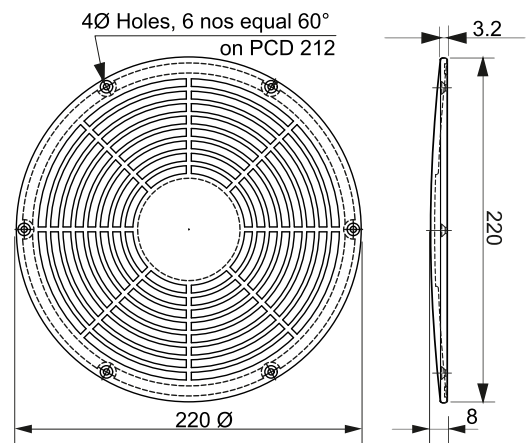
Size	172 mm x 172 mm [6" Sq. Type]
Suitable for Cooling Fan	6" Sq. 172mm x 172mm x 55mm
Colour shade	BLACK
Material	ABS
Density	Approximately 1.06 g/Cm ²
Tensile Strength	Around 43 Mpa
Approvals	




ETFG -04

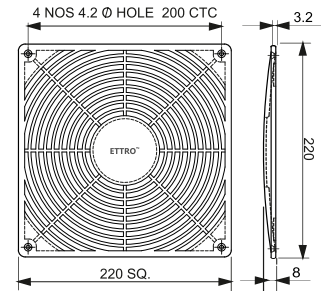


Size	220Ø mm [8" Round Type]
Suitable for Cooling Fan	8" Round 220Ø mm x 60mm
Colour shade	BLACK
Material	ABS
Density	Approximately 1.06 g/Cm ²
Tensile Strength	Around 43 Mpa
Approvals	




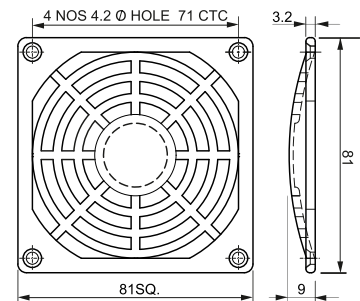
ETFG -05

Size	220 mm x 220 mm [8" Sq. Type]
Suitable for Cooling Fan	8 "Sq. 220mm x 220mm x 60mm
Colour shade	BLACK
Material	ABS
Density	Approximately 1.06 g/Cm ²
Tensile Strength	Around 43 Mpa
Approvals	




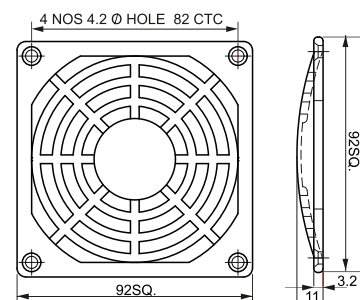
ETFG -06

Size	80 mm x 80 mm [3" Sq. Type]
Suitable for Cooling Fan	3"Sq. 80mm x 80mm x 25mm
Colour shade	BLACK
Material	ABS
Density	Approximately 1.06 g/Cm ²
Tensile Strength	Around 43 Mpa
Approvals	



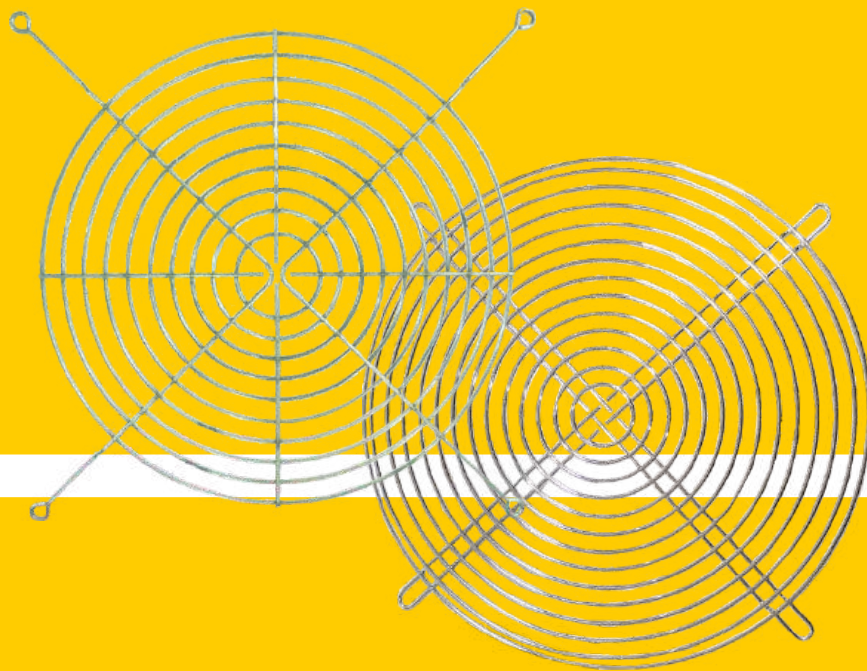
ETFG - 07

Size	92 mm x 92 mm [3.5" Sq. Type]
Suitable for Cooling Fan	3.5"Sq. 92mm x 92mm x 25mm
Colour shade	BLACK
Material	ABS
Density	Approximately 1.06 g/Cm ²
Tensile Strength	Around 43 Mpa
Approvals	

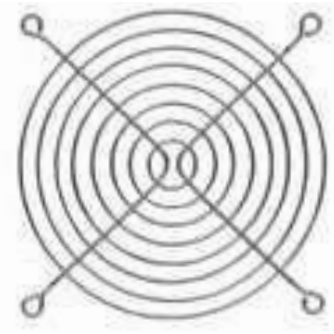


2.2

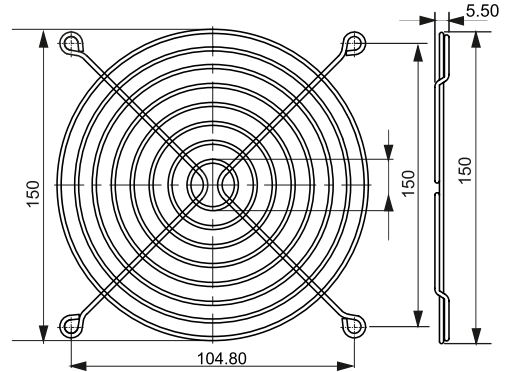
FINGER GUARDS METAL



ETMG - 01



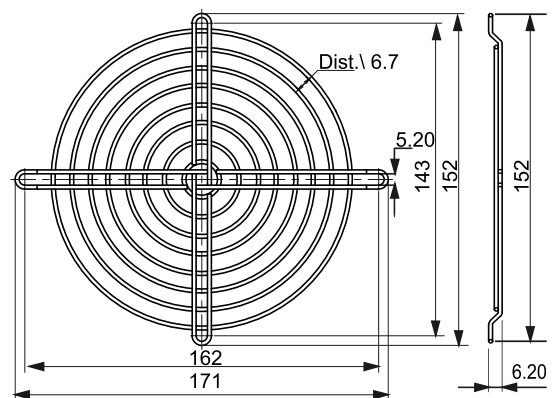
Size	120 mm x 120 mm [4" Square Type 1.6 Thk-8 Ring]
Suitable for Cooling Fan	4" Sq. 120mm x 120mm x 38mm
Colour shade	Silver
Material	Mild steel (chrome plated)
Density	Approximately 7.85 g/Cm ²
Tensile Strength	Around 460Mpa
Approvals	



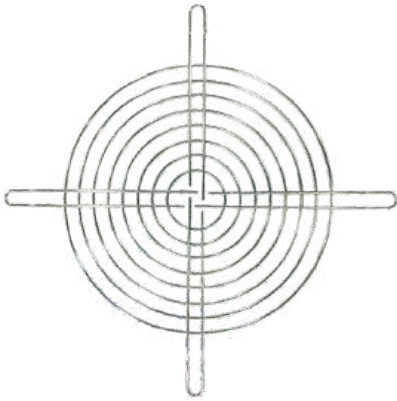
ETMG - 02




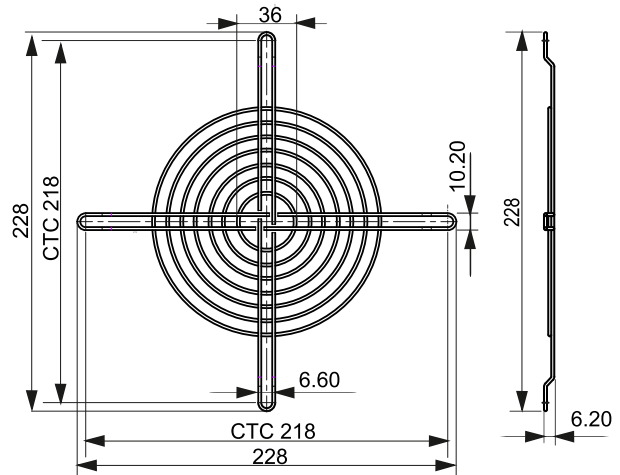
Size	172mm x 150mm [6" Oval Type 1.6 Thk-7 Ring]
Suitable for Cooling Fan	6" Oval 172mm x 150mm x 51mm
Colour shade	Silver
Material	Mild steel (chrome plated)
Density	Approximately 7.85 g/Cm ²
Tensile Strength	Around 460Mpa
Approvals	



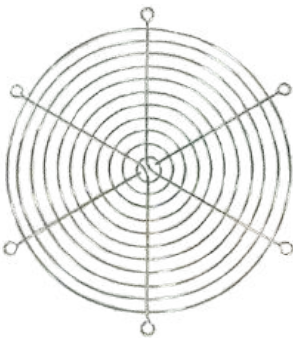
ETMG - 03



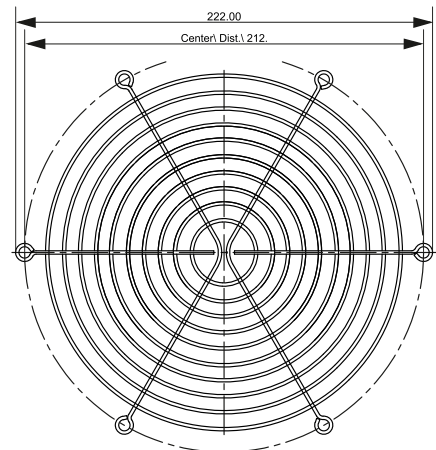
Size	172 mm x 172 mm [6" Sq. Type 1.6Thk-8 Ring]
Suitable for Cooling Fan	6" Sq. 172mm x 172mm x 55mm
Colour shade	Silver
Material	Mild steel (chrome plated)
Density	Approximately 7.85 g/Cm ²
Tensile Strength	Around 460Mpa
Approvals	



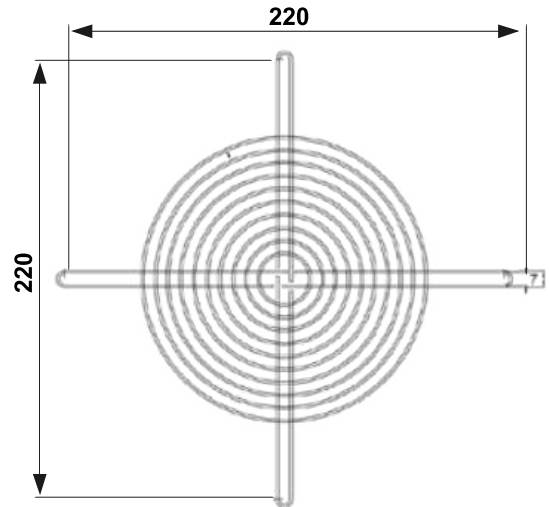
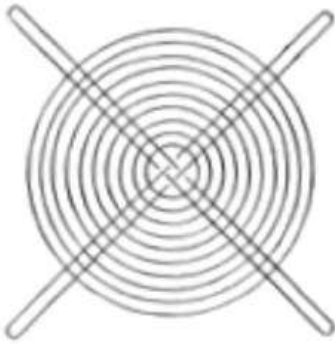
ETMG - 04



Size	220 Ø mm x 60mm [8" Round Type 1.6Thk-10Ring]
Suitable for Cooling Fan	8" Round 220 Ø mm x 60mm
Colour shade	Silver
Material	Mild steel (chrome plated)
Density	Approximately 7.85 g/Cm ²
Tensile Strength	Around 460Mpa
Approvals	

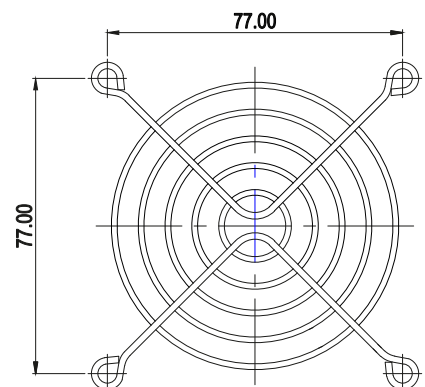



ETMG - 05



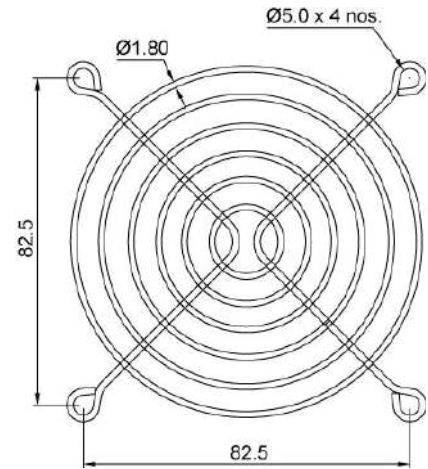
Size	220 mm x 220 mm [8" Sq.Type 1.6Thk-10 Ring]
Suitable for Cooling Fan	8"Sq. 220mm x 220mm x 60mm
Colour shade	Silver
Material	Mild steel (chrome plated)
Density	Approximately 7.85 g/Cm ²
Tensile Strength	Around 460Mpa
Approvals	


ETMG - 06



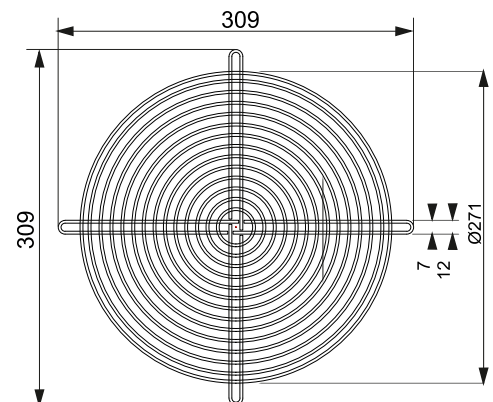
Size	80 mm x 80 mm [3"Sq.Type 1.6Thk-5 Ring]
Suitable for Cooling Fan	3"Sq. 80mm x 80mm x 25mm
Colour shade	Silver
Material	Mild steel (chrome plated)
Density	Approximately 7.85 g/Cm ²
Tensile Strength	Around 460Mpa
Approvals	

ETMG - 07



Size	92 mm x 92 mm [3.5" Sq. Type 1.6Thk-6Ring]
Suitable for Cooling Fan	3.5" Sq. 92mm x 92mm 25mm
Colour shade	Silver
Material	Mild steel (chrome plated)
Density	Approximately 7.85 g/Cm ²
Tensile Strength	Around 460Mpa
Approvals	

ETMG - 08



Size	309mm x 309mm [10" Sq.Type 2.5Thk-14Ring]
Suitable for Cooling Fan	10" Sq. 280mm x 280mm
Colour shade	Silver
Material	Mild steel (chrome plated)
Density	Approximately 7.85 g/Cm ²
Tensile Strength	Around 460Mpa
Approvals	

1. Air Filter with Cooling Fan and Finger Guard for Electrical Panel Boards

Product Overview: This product is a combination of an **air filter**, **cooling fan**, and **finger guard**, specifically designed for ventilation purposes in **electrical panel boards** and enclosures. The air filter ensures dust-free airflow, the cooling fan provides efficient heat dissipation, and the finger guard protects both the fan blades and users from accidental contact. This combination is essential for maintaining the optimal performance and safety of electrical panels in various environments.

Key Features:

- 1. Efficient Ventilation:** The cooling fan ensures proper airflow, preventing overheating of sensitive electrical components.
- 2. Dust Protection:** The integrated air filter blocks dust and other particulate matter, ensuring a clean and controlled environment inside the panel.
- 3. Enhanced Safety:** The finger guard adds a layer of protection to avoid accidental damage or injuries from fan blades.
- 4. Durable Construction:** Built with high-quality materials, the assembly ensures long-term durability and resistance to harsh conditions.
- 5. Easy Installation:** The product is designed for quick and hassle-free installation in various panel configurations.

Applications:

This air filter-fan assembly is widely used in industries where electrical enclosures and panel boards are critical. It ensures the reliability and longevity of electrical components by maintaining optimal operating conditions. Some common applications include:

- 6. Industrial Automation:** Used in control panels for machinery and equipment in manufacturing units.
- 7. Data Centres:** Ensures efficient cooling of server enclosures to prevent downtime.
- 8. Telecommunication Equipment:** Protects and cools communication devices installed in enclosures.
- 9. Renewable Energy Systems:** Found in solar inverters and wind turbine control panels.
- 10. Food & Beverage Industry:** Protects sensitive electronics in hygienic environments.
- 11. Oil & Gas:** Installed in panels exposed to challenging environments with potential dust and heat issues.
- 12. Transportation:** Used in control systems for railways, metros, and public transportation networks.
- 13. Healthcare:** Protects sensitive diagnostic equipment and lab instruments in enclosures.



SMART SOLUTIONS FOR SAFE CONNECTIONS JUNCTION BOXES



03

JUNCTION BOX

Introducing Elettro Junction Box, a revolutionary solution designed to optimize industrial connectivity. With its cutting-edge technology and robust construction, Elettro ensures seamless integration of electrical connections in industrial settings. Engineered for reliability and durability, this brand-name junction box offers exceptional protection against environmental factors, ensuring uninterrupted operations in harsh conditions.

Elettro's innovative design facilitates easy installation and maintenance, reducing downtime and maximizing productivity. Equipped with a range of safety features, such as surge protection and flame-retardant materials, it ensures a secure electrical environment. Whether it's power distribution, signal transmission, or data connectivity, Elettro Junction Box empowers industries with efficient, reliable, and future-proof solutions. Trust Elettro to power your industrial operations with unparalleled connectivity and performance

3.1




P.C. JUNCTION BOX

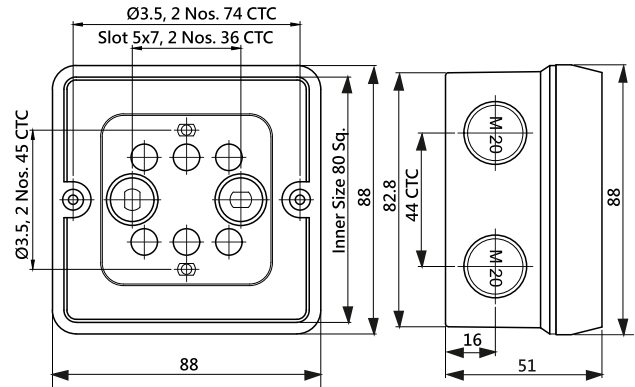


ET - 9020
ET - 9020E

Without connector
With brass connector






Size	88 mm x 88 mm x 53 mm
Colour shade	RAL -7035 Material- P.C.
Bush	M 20 3 Nos.
Gasket	Sealing Range Silicon Rubber Ø 9-17 mm
Screw	Mild steel (chrome plated) M4 x 19mm
Density	Approximately 1.20 g/Cm ²
Approvals	  

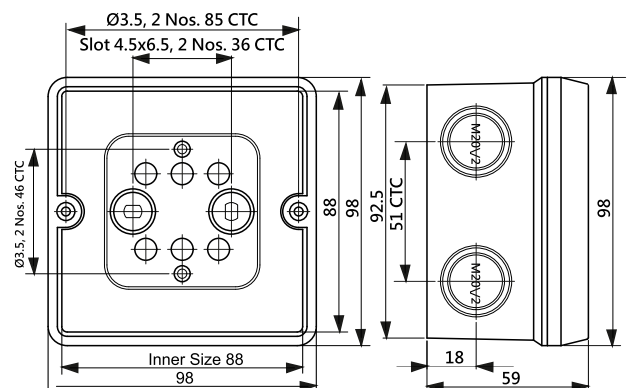


ET - 9040
ET - 9040E

Without connector
With brass connector






Size	98 mm x 98 mm x 61 mm
Colour shade	RAL -7035 Material- P.C.
Bush	M 20 3 Nos.
Gasket	Sealing Range Silicon Rubber Ø 9-17 mm
Screw	Mild steel (chrome plated) M4 x 19mm
Density	Approximately 1.20 g±Cm ²
Approvals	  

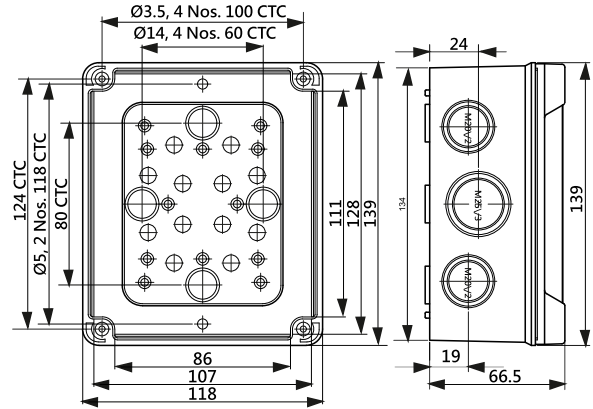


ET - 9060
ET - 9060E

Without connector
With brass connector






Size	139 mm x 119 mm x 70 mm
Colour shade	RAL -7035 Material- P.C.
Bush	M 20 2 Nos. M32 1No
Gasket	Sealing Range Silicon Rubber Ø 9-17 mm
Screw	Mild steel (chrome plated) M4 x 19mm
Density	Approximately 1.20 g/ Cm ²
Approvals	  

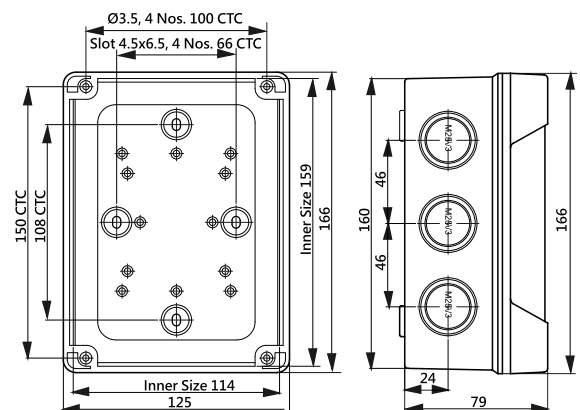


ET - 9100
ET - 9100E

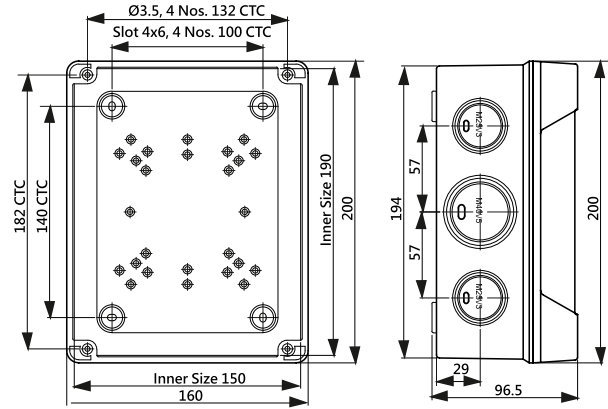
Without connector
With terminal block 16 sq.m



Size	167 mm x 125 mm x 82 mm
Colour shade	RAL -7035 Material- P.C.
Bush	M 25 2 Nos. M32 1No
Gasket	Sealing Range Silicon Rubber Ø 9-17 mm
Screw	Mild steel (chrome plated) M4 x 19mm
Density	Approximately 1.20 g/Cm ²
Approvals	  



ET - 9250 Without connector
ET - 9250E With terminal block 16 sq.m



Size **200 mm x 160 mm x 98 mm**

Colour shade RAL -7035 Material- P.C.

Bush M 32 2 Nos. M40 1No

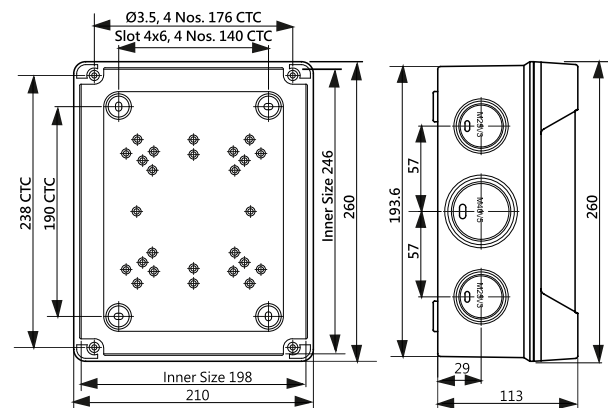
Gasket Sealing Range
Silicon Rubber Ø 9-17 mm

Screw Mild steel (chrome plated)
M4 x 19mm

Density Approximately 1.20 g/Cm²

Approvals 

ET - 9350 Without connector
ET - 9350E With terminal block 25 sq.mm



Size **260 mm x 210 mm x 117 mm**

Colour shade RAL -7035 Material- P.C.

Bush M /25/32/50 3 Nos.

Gasket Sealing Range
Silicon Rubber Ø 9-17 mm

Screw Mild steel (chrome plated)
M4 x 19mm

Density Approximately 1.20 g/Cm²

Approvals 


3.2

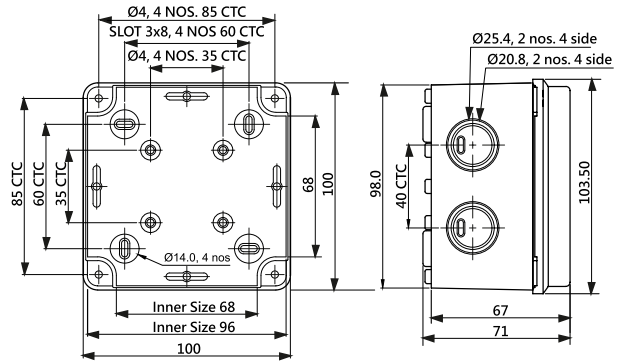
ABS JUNCTION BOX



ET - 10107




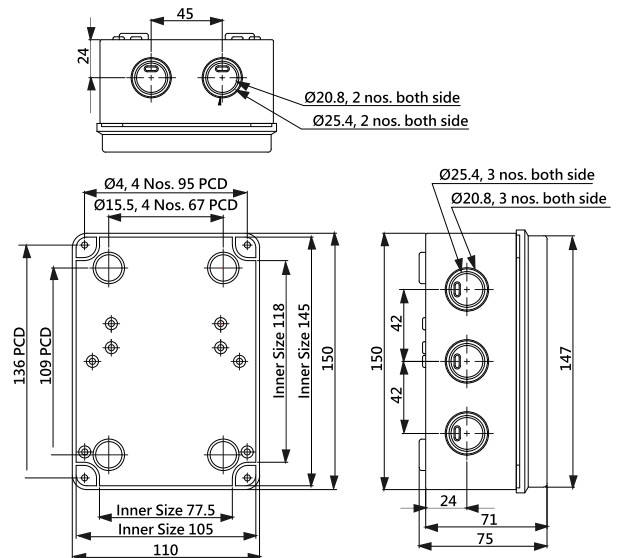
Size	100 mm x 100 mm x 70 mm
Colour shade	White Material- ABS
Gasket	Silicon Rubber
Screw	Mild steel (chrome plated) M4 x 19mm
Density	Approximately 1.06 g/Cm ²
Approvals	



ET - 15117



Size	150 mm x 110 mm x 70 mm
Colour shade	White Material- ABS
Gasket	Silicon Rubber
Screw	Mild steel (chrome plated) M4 x 19mm
Density	Approximately 1.06 g/Cm ²
Approvals	



ET - 15157



Size 150 mm x 150 mm x 70 mm

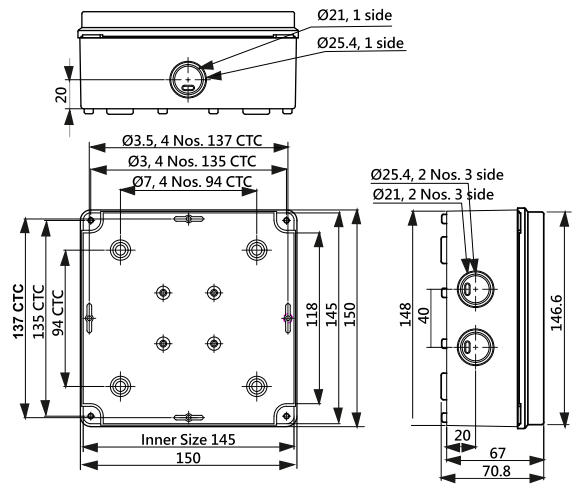
Colour shade White Material- ABS

Gasket Silicon Rubber

Screw Mild steel (chrome plated)
M4 x 19mm

Density Approximately 1.06 g/Cm²

Approvals    



ET - 20107



Size 200 mm x 100 mm x 70 mm

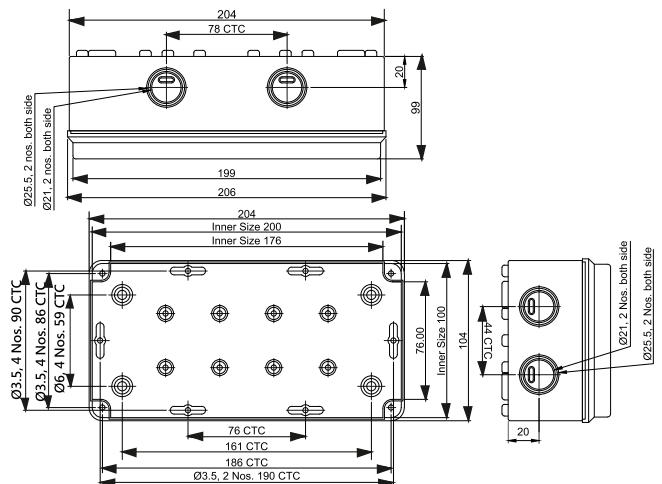
Colour shade White Material- ABS

Gasket Silicon Rubber

Screw Mild steel (chrome plated)
M4 x 19mm


Density Approximately 1.06 g/Cm²

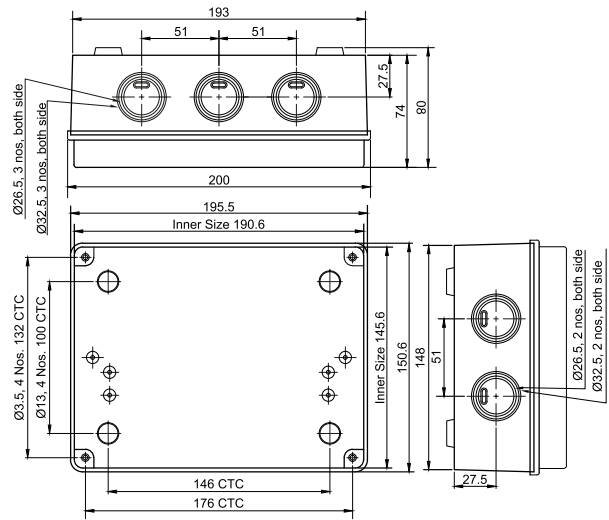
Approvals    



ET - 20168



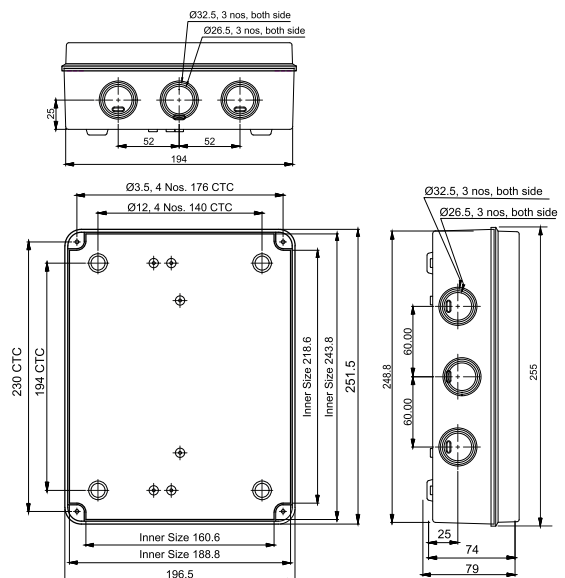
Size	200 mm x 155 mm x 80 mm
Colour shade	White Material- ABS
Gasket	Silicon Rubber
Screw	Mild steel (chrome plated) M4 x 19mm
Density	Approximately 1.06 g/Cm ²
Approvals	



ET - 26208



Size	255 mm x 200 mm x 80 mm
Colour shade	White Material- ABS
Gasket	Silicon Rubber
Screw	Mild steel (chrome plated) M4 x 19mm
Density	Approximately 1.06 g/Cm ²
Approvals	



ET - 6001



Size **110 mm x 110 mm x 110 mm**

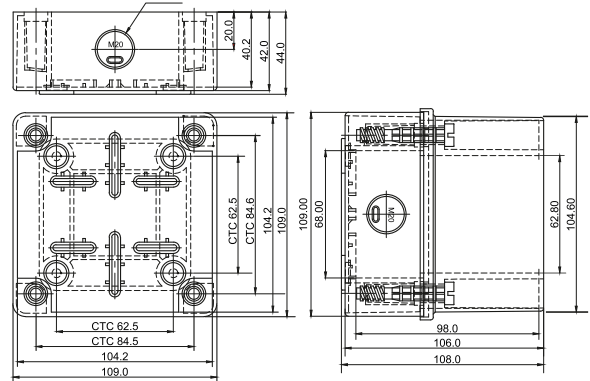
Colour shade **White Material- ABS**

Gasket **Silicon Rubber**

Screw **Polyamide With Blue Colour**

Density **Approximately 1.06 g/Cm²**

Approvals **CE ROHS⁺ IP54 IP55 IP65 IP67**



ET - 6002



Size **155 mm x 115 mm x 110 mm**

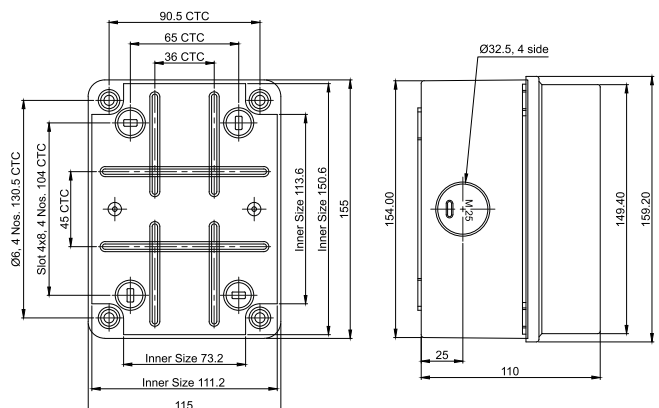
Colour shade **White Material- ABS**

Gasket **Silicon Rubber**

Screw **Polyamide With Blue Colour**

Density **Approximately 1.06 g/Cm²**

Approvals **CE ROHS⁺ IP54 IP55 IP65 IP67**




3.3

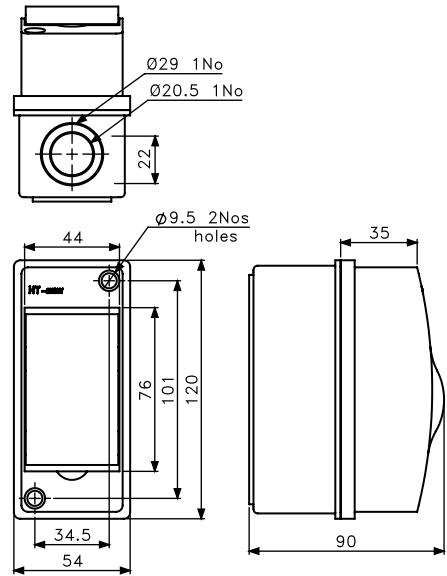
ABS DISTRIBUTION BOX



ETDB - 02




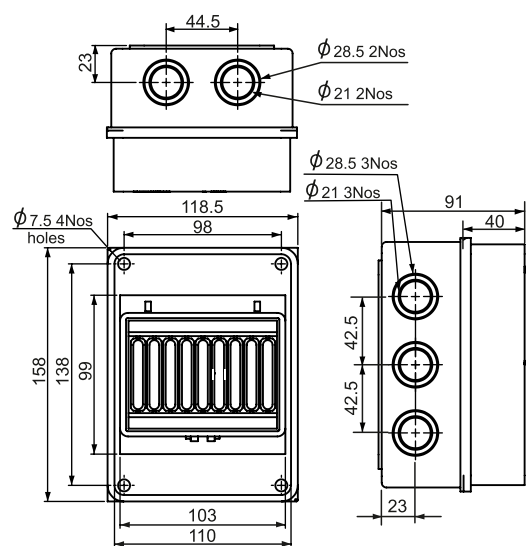
Size	120 mm x 53 mm (2 way)
Colour shade	RAL-7035 Material- ABS
Gasket	Silicon Rubber with Eva-Grommet.
Mounting	Mild Steel Channel with silver plated.
Screw	Mild steel (chrome plated) M4 x 19mm
Density	Approximately 1.06 g /Cm ²
Approvals	



ETDB - 05




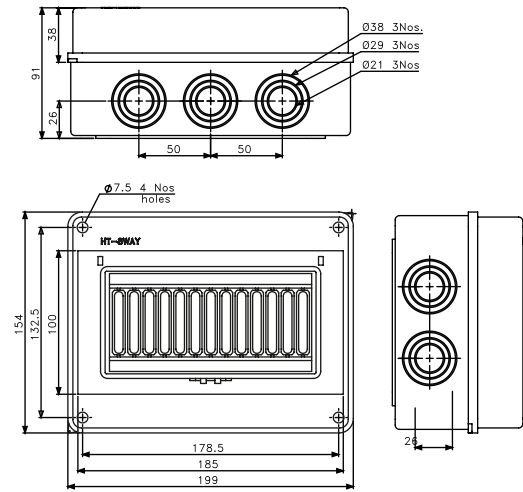
Size	159 mm x 119 mm (5 way)
Colour shade	RAL-7035 Material- ABS
Gasket	Silicon Rubber with Eva-Grommet.
Mounting	Mild Steel Channel with silver plated.
Screw	Mild steel (chrome plated) M4 x 19mm
Density	Approximately 1.06 g /Cm ²
Approvals	



ETDB - 08




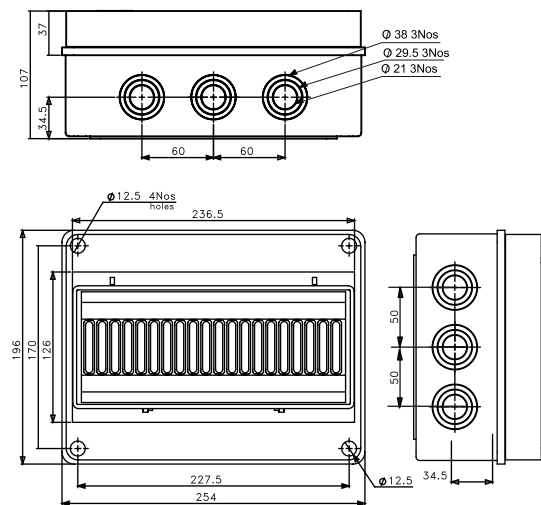
Size	201 mm x 153 mm (8 way)
Colour shade	RAL-7035 Material- ABS
Gasket	Silicon Rubber with Eva-Grommet.
Mounting	Mild Steel Channel with silver plated.
Screw	Mild steel (chrome plated) M4 x 19mm
Density	Approximately 1.06 g/Cm ²
Approvals	



ETDB - 12




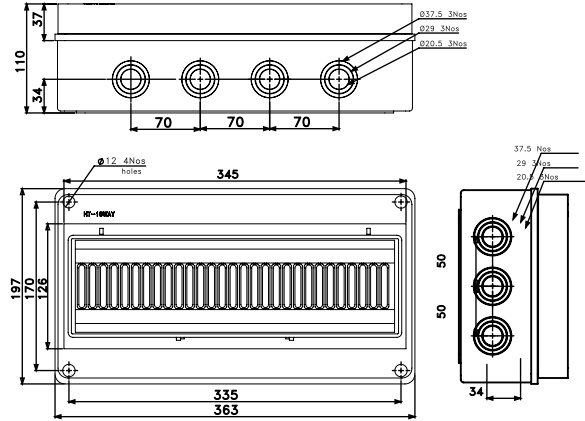
Size	256 mm x 196 mm (12 way)
Colour shade	RAL-7035 Material- ABS
Gasket	Silicon Rubber with Eva-Grommet.
Mounting	Mild Steel Channel with silver plated.
Screw	Mild steel (chrome plated) M4 x 19mm
Density	Approximately 1.06 g /Cm ²
Approvals	



ETDB - 18




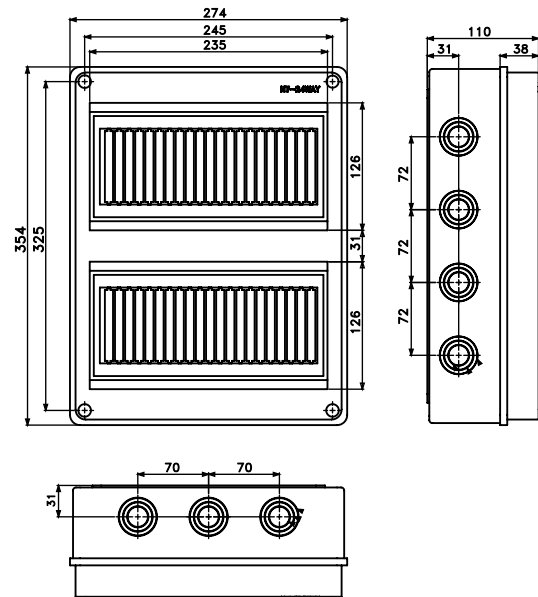
Size	360 mm x 194 mm (18 way)
Colour shade	RAL-7035 Material- ABS
Gasket	Silicon Rubber with Eva-Grommet.
Mounting	Mild Steel Channel with silver plated.
Screw	Mild steel (chrome plated) M4 x 19mm
Density	Approximately 1.06 g /Cm ²
Approvals	



ETDB - 24



Size	357 mm x 271 mm (24 way)
Colour shade	RAL-7035 Material- ABS
Gasket	Silicon Rubber with Eva-Grommet.
Mounting	Mild Steel Channel with silver plated.
Screw	Mild steel (chrome plated) M4 x 19mm
Density	Approximately 1.06 g /Cm ²
Approvals	

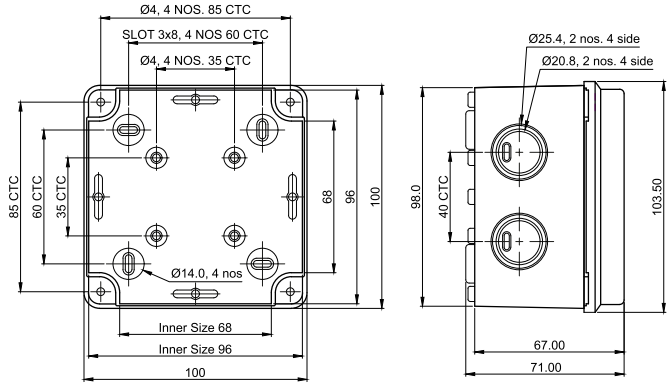



3.4

CAMERA BOX

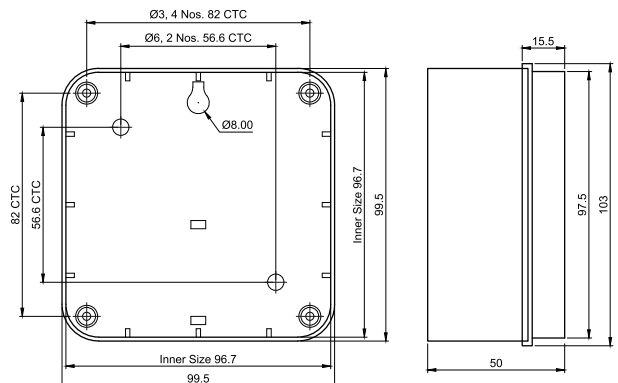



ETCB - 01



Size	100 mm x 100 mm x 70 mm
Colour shade	White Material - P.P.
Screw	Mild steel (chrome plated) M4 x 19mm
Density	Approximately 0.90 g/Cm ²
Approvals	

ETCB - 02



Size	100mm x 100mm x 50mm
Colour shade	White Material - P.P.
Screw	Mild steel (chrome plated) M4 x 19mm
Density	Approximately 0.90 g/Cm ²
Approvals	

**"UNLEASH THE POWER OF FLEXIBILITY WITH ELETTRO:
WHERE STRENGTH MEETS AGILITY!"**



04

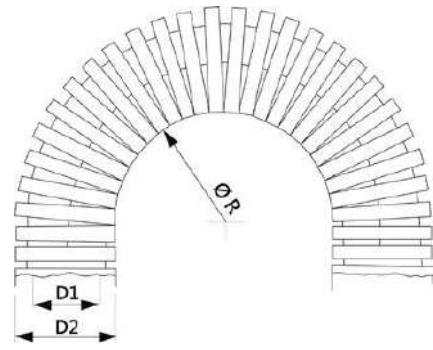
CONDUIT PIPES & GLANDS

Introducing Elettro, the cutting-edge industrial flexible conduit pipe revolutionizing the world of electrical installations. Crafted with utmost precision from high-quality polyamide, Elettro delivers unparalleled performance and reliability. Its durable composition ensures superior resistance to corrosion, abrasion, and extreme temperatures, safeguarding electrical systems in the harshest environments.

Designed with flexibility in mind, Elettro effortlessly adapts to complex layouts and tight spaces, simplifying installation and reducing labor costs. Its smooth interior surface enables smooth cable pulling, minimizing friction and optimizing efficiency. Elettro's innovative design and advanced polyamide construction make it an ideal choice for various industries, including manufacturing, automation, and construction.

deliver unparalleled performance and reliability, Elettro's conduit glands are the epitome of innovation in the field. Built to withstand the harshest industrial environments, they provide robust protection for electrical wiring and cables, ensuring uninterrupted power supply and optimal safety. Elettro's flexible conduit glands feature a precision-engineered design that allows for effortless installation and maintenance, saving valuable time and effort. With a focus on durability and versatility, Elettro offers a comprehensive range of sizes and materials to suit various industrial applications. Trust Elettro for superior quality and unrivaled performance in industrial conduit glands.

POLYAMIDE FLEXIBLE CONDUIT & SLITTED CONDUIT



GENERAL INFORMATION:

Material	PA6 Polyamide (Nylon 6)
Type	Flexible Conduit Pipe
Color	Black (Standard), other colors available on request
Temperature Range	-40°C to +120°C (Intermittent to +150°C)

PHYSICAL PROPERTIES

Density	1.14 g/cm ³
Flammability	UL94 V2
UV Resistance	High
Halogen-Free	Yes

MECHANICAL PROPERTIES

Tensile Strength	80 MPa
Elongation at Break	60%
Flexural Modulus	3 GPa
Impact Resistance	High

CHEMICAL PROPERTIES

Resistant to:	Oil, petrol, acids, and alkalis
Not Resistant to:	Strong acids and bases

ELECTRICAL PROPERTIES

Dielectric Strength	20 kV/mm
Volume Resistivity	10 ¹² Ohm-cm

Cat. No.	Conduit Gland Size	I.D. d1 (mm)	O.D. d2 (mm)	Bending Radius R (mm) + 10%
ETP-10	ETG-7	6.4	10	20
ETP-13.5	ETG-9	9.6	13	30
ETP-16	ETG-11	11.8	15.8	40
ETP-18.5	ETG-13.5	14.3	18.5	42
ETP-22	ETG-16	15.9	21.2	45
ETP-28	ETG-21	21.7	28.5	55
ETP-34	ETG-29	27.8	34.5	60
ETP-42	ETG-36	36	42.5	65
ETP-54	ETG-48	48.3	54.5	80
ETP-67	ETG-57	57	67.2	92
ETP-80	ETG-67	67	80	106
ETP-106	ETG-93	93	106	115

DIMENSIONS

Inner Diameter	Range from 7mm to 93mm
Outer Diameter	Correspondingly larger based on inner diameter
Standard Lengths	25m, 50m, 100m rolls (custom lengths available on request)

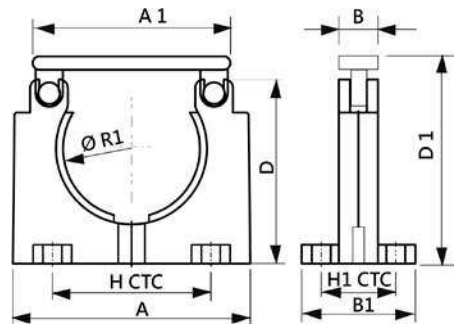
APPLICATIONS

Automotive Wiring	Protecting wiring harnesses in vehicles
Industrial Machinery	Routing cables and wires in industrial equipment
Construction	Protecting electrical and data cables in buildings
Railways	Ensuring safety and durability in railway systems

ADVANTAGES

High Flexibility	Allows easy routing of cables and wires
Durability	Resistant to wear and tear, ensuring long service life
Environmental Resistance	Suitable for harsh environments with high UV and chemical resistance

POLYAMIDE FLEXIBLE CONDUIT CLAMP



GENERAL INFORMATION

Material	PA6 Polyamide (Nylon 6)
Type	Flexible Conduit Clamp
Color	Black (Standard), other colors available on request
Temperature Range	-40°C to +120°C (Intermittent to +150°C)

PHYSICAL PROPERTIES

Density	1.14 g/cm ³
Flammability	UL94 V2
UV Resistance	High
Halogen-Free	Yes

MECHANICAL PROPERTIES

Tensile Strength	80 MPa
Elongation at Break	60%
Impact Resistance	High

CHEMICAL PROPERTIES

Resistant to	Oil, petrol, acids, and alkalis
Not Resistant to	Strong acids and bases

POLYAMIDE FLEXIBLE CONDUIT CLAMP

Cat. No.	Clamp Size	A mm	A1 mm	B mm	B1 mm	D mm	D1 mm	H mm CTC	H1 mm CTC	R1 mm
ETC-7	ETP-10	---	---	---	---	---	---	---	---	---
ETC-9	ETP-13.5	24	18	10	28	23	26	---	20	10
ETC-11	ETP-16	28	22	14	32	24	28	---	24	14
ETC-13.5	ETP-18.5	30	25	14	34	25	30	---	24	15
ETC-16	ETP-22	34	28	14	34	22	34	---	26	20
ETC-21	ETP-28	39	39	14	38	40	44	---	27	25
ETC-29	ETP-34	45	45	14	38	44	50	36	27	33
ETC-36	ETP-42	55	55	14	41	53.5	59	37	27	40.5
ETC-48	ETP-54	70	70	14	41	65	73	57	27	48

COMPLIANCE

CE Compliant Yes

RoHS Compliant Yes

REACH Compliant Yes

INSTALLATION INSTRUCTIONS

Preparation Ensure the area where the clamp will be installed is clean and free of debris.

Positioning Position the clamp around the conduit at the desired location.

Fastening Use screws or bolts to fasten the clamp securely to the mounting surface. Ensure the conduit is held firmly in place without crushing or deforming.

Inspection Check that the clamp is secure and the conduit is properly supported

APPLICATIONS

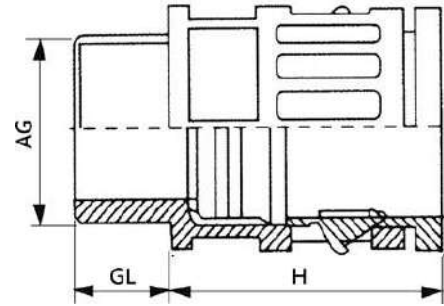
Automotive Wiring Securely fastening flexible conduits in vehicles

Industrial Machinery Providing stable and secure fastening for conduits in industrial equipment

Construction Securing electrical and data conduits in buildings

Railways Ensuring safe and durable fastening for conduits in railway systems

POLYAMIDE CONDUIT GLANDS



GENERAL INFORMATION

Material	PA6 Polyamide (Nylon 6)
Type	PG Gland for Flexible Conduit
Color	Black (Standard)
Temperature Range	-40°C to +120°C (Intermittent to +150°C)

PHYSICAL PROPERTIES

Density	1.14 g/cm ³
Flammability	UL94 V2
UV Resistance	High
Halogen-Free	Yes

MECHANICAL PROPERTIES

Tensile Strength	80 MPa
Elongation at Break	60%
Impact Resistance	High
Thread Type	PG Thread

CHEMICAL PROPERTIES

Resistant to	Oil, petrol, acids, and alkalis
Not Resistant to	Strong acids and bases

COMPLIANCE

CE Compliant	Yes
RoHS Compliant	Yes
REACH Compliant	Yes

Cat. No.	Conduit Size	(AG) mm	(AG) mm Thread Length	(GL) mm	(H) mm
ETG-7	ETP-10	12.3	6.5	11.5	18
ETG-9	ETP-13.5	15	10	11.5	19
ETG-11	ETP-16	18.4	12.5	12	23
ETG-13.5	ETP-18.5	20.2	14.3	12	12
ETG-16	ETP-22	22.3	17	13	27
ETG-21	ETP-28	28	23	13	33
ETG-29	ETP-34	36.7	29	15	35
ETG-36	ETP-42	46.7	36	15	38.5
ETG-48	ETP-54	59	53	16	39

ELECTRICAL PROPERTIES

Dielectric Strength	20 kV/mm	Volume Resistivity	10 ¹² Ohm-cm
---------------------	----------	--------------------	-------------------------

DIMENSIONS

PG Thread Sizes	Range from ETG-07 to ETG-48
Conduit Compatibility	Corresponding to inner diameters of PA6 Polyamide Flexible Conduit
Standard Lengths	Available in various lengths to fit conduit sizes

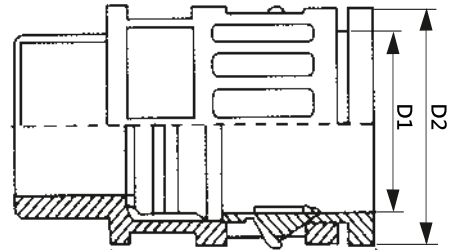
APPLICATIONS

Automotive Wiring	Securely connecting flexible conduits to panels and junction boxes in vehicles
Industrial Machinery	Ensuring safe and secure connections in industrial equipment
Construction	Protecting and terminating electrical and data cables in buildings
Railways	Ensuring safety and durability in railway systems

INSTALLATION INSTRUCTIONS

Easy Installation	Simple to install and remove, providing secure connections
Durability	Resistant to mechanical stress and environmental factors
Sealing Protection	Provides IP68 sealing (optional), protecting against dust and water ingress

POLYAMIDE FLEXIBLE CONDUIT METRIC GLANDS



GENERAL INFORMATION

Material	PA6 Polyamide (Nylon 6)
Type	Metric Threads Gland for Flexible Conduit
Color	Black (Standard), other colors available on request
Temperature Range	-40°C to +120°C (Intermittent to +150°C)

PHYSICAL PROPERTIES

Density	1.14 g/cm ³
Flammability	UL94 V2
UV Resistance	High
Halogen-Free	Yes

MECHANICAL PROPERTIES

Tensile Strength	80 MPa
Elongation at Break	60%
Impact Resistance	High
Thread Type	Metric Threads (M10, M16, M20, M25, M32, M40, M50)

CHEMICAL PROPERTIES

Resistant to	Oil, petrol, acids, and alkalis
Not Resistant to	Strong acids and bases

POLYAMIDE FLEXIBLE CONDUIT METRIC GLANDS

Cat. No.	Conduit Gland Size	Inner Diameter (D1 mm)	Outer Diameter (D2 mm)
ETMG-16	ETG-7	6.4	10
ETMG-20 (M-15.8)	ETG-9	9.6	13
ETMG-20 (M-21.2)	ETG-11	11.8	15.8
ETMG-25 (M-21.2)	ETG-13.5	14.3	18.5
ETMG-32	ETG-16	15.9	21.2
ETMG-40	ETG-21	21.7	28.5
ETMG-50	ETG-29	27.8	34.5
ETMG-63	ETG-36	36	42.5

ELECTRICAL PROPERTIES

Dielectric Strength	20 kV/mm
Volume Resistivity	10^{12} Ohm-cm

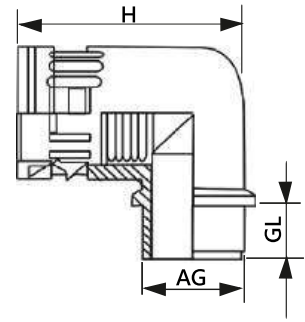
DIMENSIONS

Thread Sizes	Range from ETMG-16 to ETMG-63
Conduit Compatibility	Corresponding to inner diameters of PA6 Polyamide Flexible Conduit
Standard Lengths	Available in various lengths to fit conduit sizes

ADVANTAGES

Easy Installation	Simple to install and remove, providing secure connections
Durability	Resistant to mechanical stress and environmental factors
Sealing Protection	Provides IP68 sealing (optional), protecting against dust and water ingress

POLYAMIDE FLEXIBLE CONDUIT 90° ELBOW GLANDS



GENERAL INFORMATION

Material	PA6 (Polyamide 6)
Design & construction	Angle: 90° Elbow
Color	Black (Standard)
Temperature Range	Static: -40°C to +105°C Dynamic: -20°C to +90°C
Ingress Protection (IP Rating)	IP65 to IP68 (depending on the model and assembly)

PHYSICAL PROPERTIES

Flame Retardant	UL94 V2/V0 (optional)
UV Resistance	Yes, suitable for outdoor use
Halogen-Free	Yes

MECHANICAL PROPERTIES

Tensile Strength	High resistance to mechanical stress
Impact Resistance	High, resistant to shocks and vibrations
Thread Type	PG (depending on the model)

CHEMICAL PROPERTIES

Resistant to	Oils, solvents, acids, and alkalis
Not Resistant to	Strong acids and solvents (depending on the environment)

COMPLIANCE

CE Compliant	Yes
RoHS Compliant	Yes

POLYAMIDE FLEXIBLE CONDUIT 90° ELBOW GLANDS

Model No.	AG	GL	H	Piece Pack
ETEG-9	15	10.6	36.7	100
ETEG-11	18.2	10	42.5	100
ETEG-13.5	20.1	13	45.5	50
ETEG-16	22	13.3	49.5	50
ETEG-21	28	13.3	57.2	50
ETEG-29	36.7	15	65.5	25
ETEG-36	46.7	15	79.6	20
ETEG-48	58.3	16	94	10

SIZES AVAILABLE

Conduit Size	10mm to 54mm (or other sizes depending on manufacturer)
Thread Size	PG7 to PG48 (or equivalent metric sizes)

APPLICATIONS

Automotive Wiring	Areas where a flexible and durable conduit solution is required.
Industrial Machinery	Suitable for protecting cables and wires
Construction	Areas where a flexible and durable conduit solution is required.
Railways	Areas where a flexible and durable conduit solution is required.

INSTALLATION

Easy Installation	Secure fit to prevent conduit slippage.
Assembly	Can be easily assembled with a corresponding PA6 flexible conduit.

EVA FOAM SELF ADHESIVE GASKET TAPE



EVA Foam Self-Adhesive Panel Gasket Tape

EVA foam self-adhesive panel gasket tape is a high-performance sealing solution. designed for cushioning, insulation, and protection. Made from durable yet flexible. EVA foam, it offers excellent resistance to moisture, UV rays, and temperature changes. The strong adhesive backing ensures a secure and long-lasting bond on various surfaces.

Key Features:

Strong self-adhesive backing for easy installation.
 Excellent resistance to water, dust, and air infiltration.
 Flexible, lightweight, and easy to cut for custom applications.
 Provides shock absorption and noise reduction.

GENERAL INFORMATION

Material	Ethylene Vinyl Acetate (EVA) Foam
Color	Black (White color as per request)
Adhesive Type	Solvent-based adhesive type

PHYSICAL PROPERTIES

Thickness	Available in various thicknesses ranging from 2 mm, 3 mm, 5 mm , 6 mm & 10 mm
Density	30-200 kg/m ³
Compression Set	≤ 10%
Hardness	Shore A 15-25

MECHANICAL PROPERTIES

Tensile Strength	≥ 1.0 MPa
Elongation at Break	≥ 200%
Tear Resistance	≥ 2.5 N/mm

THERMAL PROPERTIES

Operating Temperature Range	-20°C to +70°C
Thermal Conductivity	Low, typically 0.033 W/m·K

STD PACKING		STD PACKING		STD PACKING	
Thickness	2mm & 3mm	Thickness	5mm & 6mm	Thickness	8mm & 10mm
Length	10Mtr Per Roll	Length	10Mtr Per Roll	Length	5Mtr Per Roll
Width	Qty. Per Ctn.	Width	Qty. Per Ctn.	Width	Qty. Per Ctn.
12mm	300 Rolls	12mm	180 Rolls	12mm	180 Rolls
15mm	240 Rolls	15mm	160 Rolls	15mm	160 Rolls
20mm	180 Rolls	20mm	120 Rolls	20mm	120 Rolls
25mm	144 Rolls	25mm	96 Rolls	25mm	96 Rolls
30mm	120 Rolls	30mm	80 Rolls	30mm	80 Rolls
40mm	90 Rolls	40mm	60 Rolls	40mm	60 Rolls
50mm	72 Rolls	50mm	48 Rolls	50mm	48 Rolls

ADHESION

Adhesive Strength	≥ 2.5 N/cm
Initial Tack	High
Holding Power	Excellent on various substrates like metal, plastic, and glass

ENVIRONMENTAL RESISTANCE

UV Resistance	Moderate
Water Resistance	Good
Chemical Resistance	Resistant to mild acids, alkalis, and some solvents

FLAME RETARDANCY

Flame Retardant Rating	Not typically flame retardant unless specifically treated
Standard Compliance	Pill report ,RoHS compliant

APPLICATIONS

Sealing	Used in enclosures, doors, windows, and automotive parts for sealing and cushioning
Vibration Dampening	Excellent for reducing noise and absorbing vibrations
Insulation	Provides thermal and acoustic insulation
Gasketing	Suitable for gasketing applications where a flexible and compressible seal is required

**SECURE CONNECTIONS, ELEVATED EFFICIENCY:
ELETTRO - POWERING PRECISION BY OUR CABLE TIES**



05

CABLE TIES

Introducing Elettro Industrial Plastic Cable Ties, the ultimate solution for secure and efficient cable management in any industrial setting. Designed with durability and versatility in mind, Elettro cable ties offer unparalleled strength and reliability to securely fasten and organize cables, wires, and hoses. Made from high-quality industrial-grade plastic, these cable ties are resistant to extreme temperatures, chemicals, and UV radiation, ensuring long-lasting performance even in the harshest conditions. With their easy-to-use self-locking mechanism and smooth rounded edges, Elettro cable ties provide a hassle-free installation experience while preventing damage to cables. Trust Elettro for all your industrial cable management needs, delivering the perfect balance of strength, durability, and convenience.

Introducing Elettro, the epitome of durability and efficiency in industrial stainless steel cable ties. Designed for rugged applications, Elettro stands as a testament to uncompromising quality and reliability. Crafted from high-grade stainless steel, these cable ties excel in harsh environments, resisting corrosion, extreme temperatures, and mechanical stress. Elettro offers unmatched strength, ensuring secure bundling and fastening of cables, pipes, and hoses. With their self-locking mechanism, installation becomes a breeze, saving time and effort. Whether in construction, manufacturing, or infrastructure projects, Elettro cable ties prove indispensable, providing peace of mind and unmatched performance. Trust Elettro for exceptional strength and steadfastness in the most demanding industrial settings.

NYLON 66 CABLE TIE

GENERAL INFORMATION:

Material	Nylon 66
Color	Natural, Black (Other color as per request)
Length Range	100 mm to 920 mm
Width Range	2.5mm (0.1"), 3.6mm (0.14"), 4.8mm (0.19"), 7.6mm (0.3"), 9.0mm (0.35"), 12.7mm (0.5")

MECHANICAL PROPERTIES

Tensile Strength	Typically around 50-120 MPa
Elongation at Break	30-300%
Melting Point	Approximately 256°C (492.8°F)
Flammability Rating	UL 94 V-2

PHYSICAL PROPERTIES

Temperature Range	-40°C to +120 °C (-40°F to 185°F) continuous use
Max Bundle Diameter	Varies by size of the tie
Min Tensile Strength	Varies by size of the tie
Weather Resistance	Natural is UV resistant; Black is UV stabilized for better outdoor performance

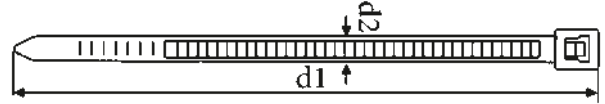
STANDARDS AND APPROVALS

CE	Compliant
RoHS	Compliant
Military Specifications	Compliant
TUV	Compliant

APPLICATIONS

Automotive Wiring	Protecting wiring harnesses in vehicles
Industrial Machinery	Routing cables and wires in industrial equipment
Construction	Protecting electrical and data cables in buildings
Railways	Ensuring safety and durability in railway systems

NYLON 66 CABLE TIE



Cat. No.	Nominal Overall Length		Strap Width		Max Bundle Cable Dia.		Thick-ness	Min Loop Tensile Strength	
	d1 mm	inch	d2 mm	inch	mm	inch		kgf	lbs
ET 100 X 1.8	100	4.0	1.8	0.07	20	0.79	0.7	0.7	16
ET 100 X 1.8	100	4.0	1.8	0.07	20	0.79	0.7	0.7	16
ET 100 X 2.5	100	4.0	2.5	0.10	20	0.79	0.9	0.8	18
ET 100 X 2.5	100	4.0	2.5	0.10	20	0.79	0.9	0.8	18
ET 150 X 2.5	150	6.0	2.5	0.10	35	1.38	1.2	8	18
ET 150 X 3.6	150	6.0	3.6	0.14	35	1.38	1.2	18	40
ET 200 X 3.6	200	8.0	3.6	0.14	45	1.77	1.2	18	40
ET 200 X 4.8	200	8.0	4.8	0.19	45	1.77	1.3	23	50
ET 200 X 7.6	200	8.0	7.6	0.30	45	1.77	1.4	36	80
ET 250 X 3.6	250	10.0	3.6	0.14	65	2.56	1.2	18	40
ET 250 X 4.8	250	10.0	4.8	0.19	60	2.36	1.3	23	50
ET 300 X 3.6	300	12.0	3.6	0.14	75	2.95	1.2	18	40
ET 300 X 4.8	300	12.0	4.8	0.19	75	2.95	1.3	23	50
ET 300 X 7.6	300	12.0	7.6	0.30	75	2.95	1.4	54.4	120
ET 350 X 4.8	350	14.0	4.8	0.19	90	3.60	1.3	23	50
ET 400 X 4.8	400	16.0	4.8	0.19	105	4.20	1.3	23	50
ET 450 X 4.8	450	18.0	4.8	0.19	115	4.53	1.3	23	50
ET 400 X 7.6	400	16.0	7.6	0.30	100	3.93	1.4	54.4	120
ET 450 X 7.6	450	18.0	7.6	0.30	115	4.60	1.4	54.4	120
ET 550 X 7.6	550	22.0	7.6	0.30	145	5.80	1.4	54.4	120
ET 600 X 7.6	600	23.63	7.6	0.30	148	6.00	1.4	54.4	120
ET 650 X 7.6	650	26.0	7.6	0.30	180	7.20	1.4	54.4	120
ET 750 X 7.6	750	30.0	7.6	0.30	220	8.80	1.4	54.4	120
ET 920 X 9.0	920	36.8	9.0	0.35	255	10.20	1.55	80.0	175

GRADE 304 STAINLESS STEEL NON-RELEASABLE CABLE TIES



SS 304 Non Realesable Details

Overview

SS 304 (Stainless Steel 304) is a high-grade austenitic stainless steel known for its superior corrosion resistance, strength, and durability. Its non-releasable nature makes it ideal for permanent installations where reliability, safety, and longevity are essential.

Key Features

High resistance to corrosion and oxidation Superior mechanical strength and durability Non-magnetic in the annealed condition Excellent weld ability and form ability Long-lasting performance with minimal maintenance

GENERAL INFORMATION:

Material	Grade 304 Stainless Steel
Width	Typically 4.6mm (0.18") to 7.9mm (0.31")
Length	Varies from 100mm (4") to 1000mm (40")

MECHANICAL PROPERTIES

Tensile Strength	Typically around 500-700 MPa
Yield Strength	190-280 MPa
Elongation	40-60%
Hardness	85 HRB (Rockwell B scale)

PHYSICAL PROPERTIES

Temperature Range	-50°C to 500°C (-58°F to 932°F)
Corrosion Resistance	Excellent resistance to corrosion, particularly in acidic and chloride environments

STANDARDS AND APPROVALS

CE Marking	Conforms to relevant EU directives
RoHS Compliance	Free from hazardous substances

GRADE 304 STAINLESS STEEL NON-RELEASABLE CABLE TIES

CAT. No.	Nominal Overall Length		Strap Width		Max. Dia. Single Loop		Thk ness	Min Loop Tensile Strength	
	mm	Inch	mm	Inch	mm	Inch		mm	Inch
ET-ST 100 X 4.6	100	4	100	4	27	1.1	0.25	68	150
ET-ST 150 X 4.6	150	6	150	6	43	1.7	0.25	68	150
ET-ST 200 X 4.6	200	8	200	8	59	2.3	0.25	68	150
ET-ST 260 X 4.6	260	10	260	10	75	3.0	0.25	68	150
ET-ST 300 X 4.6	300	12	300	12	86	3.4	0.25	68	150
ET-ST 360 X 4.6	360	14.40	360	14.40	97	3.95	0.25	68	150
ET-ST 400 X 4.6	400	16	400	16	118	4.60	0.25	68	150
ET-ST 520 X 4.6	520	20.80	520	20.80	140	5.72	0.25	68	150
ET-ST 620 X 4.6	620	24.8	620	24.8	167	6.82	0.25	68	150
ET-ST 680 X 4.6	680	27.20	680	27.20	183	7.48	0.25	68	150
ET-ST 840 X 4.6	840	33.60	840	33.60	227	9.25	0.25	68	150
ET-ST 1000 X 4.6	1000	40	1000	40	270	11.0	0.25	68	150

ENVIRONMENTAL RESISTANCE

Weather Resistance	Suitable for outdoor and harsh environmental conditions
UV Resistance	Resistant to UV degradation

APPLICATIONS

Industrial	Suitable for heavy-duty applications where high strength and corrosion resistance are required
Marine	Ideal for marine and offshore environments
Oil and Gas	Resistant to corrosion from oil and gas exposure

ADDITIONAL FEATURES

Fire Resistance	Non-flammable
Chemical Resistance	Resistant to most chemicals and solvents

GRADE 316 STAINLESS STEEL NON-RELEASABLE CABLE TIES



SS 316 Non-Releasable details

Overview

SS 316 (Low Carbon Stainless Steel 316) is a premium-grade austenitic stainless steel known for its enhanced corrosion resistance, high strength, and long-term durability. Its non-releasable nature makes it ideal for permanent installations in demanding environments, including marine, chemical, and industrial applications.

Key Features

Superior resistance to corrosion, pitting, and oxidation High strength and durability for extreme conditions Low carbon content prevents carbide precipitation Excellent weld ability and form ability Ideal for permanent, maintenance-free applications.

GENERAL INFORMATION:

Material	Grade 316 Stainless Steel
Width	Typically 4.6mm (0.18") to 7.9mm (0.31")
Length	Varies from 100mm (4") to 1000mm (40")

MECHANICAL PROPERTIES

Tensile Strength	Typically around 550-700 MPa
Yield Strength	240-310 MPa
Elongation	40-60%
Hardness	95 HRB (Rockwell B scale)

PHYSICAL PROPERTIES

Temperature Range	-50°C to 500°C (-58°F to 932°F)
Corrosion Resistance	Excellent resistance to corrosion, especially in marine and chloride environments

STANDARDS AND APPROVALS

CE Marking	Conforms to relevant EU directives
RoHS Compliance	Free from hazardous substances

GRADE 316 STAINLESS STEEL NON-RELEASABLE CABLE TIES

CAT. No.	Nominal Overall Length		Strap Width		Max. Dia. Single Loop		Thickness	Min Loop Tensile Strength	
	mm	Inch	mm	Inch	mm	Inch		mm	Inch
ET-ST 100 X 4.6	100	4	100	4	27	1.1	0.25	68	150
ET-ST 150 X 4.6	150	6	150	6	43	1.7	0.25	68	150
ET-ST 200 X 4.6	200	8	200	8	59	2.3	0.25	68	150
ET-ST 260 X 4.6	260	10	260	10	75	3.0	0.25	68	150
ET-ST 300 X 4.6	300	12	300	12	86	3.4	0.25	68	150
ET-ST 360 X 4.6	360	14.40	360	14.40	97	3.95	0.25	68	150
ET-ST 400 X 4.6	400	16	400	16	118	4.60	0.25	68	150
ET-ST 520 X 4.6	520	20.80	520	20.80	140	5.72	0.25	68	150
ET-ST 620 X 4.6	620	24.8	620	24.8	167	6.82	0.25	68	150
ET-ST 680 X 4.6	680	27.20	680	27.20	183	7.48	0.25	68	150
ET-ST 840 X 4.6	840	33.60	840	33.60	227	9.25	0.25	68	150
ET-ST 1000 X 4.6	1000	40	1000	40	270	11.0	0.25	68	150

APPLICATIONS

Marine	Ideal for marine and offshore applications due to superior corrosion resistance
Chemical Processing	Suitable for use in chemical and petrochemical industries
Food and Beverage	Used in environments requiring high hygiene standards

ENVIRONMENTAL RESISTANCE

Weather Resistance	Suitable for outdoor and harsh environmental conditions
UV Resistance	Resistant to UV degradation

ADDITIONAL FEATURES

Fire Resistance	Non-flammable
Chemical Resistance	Resistant to a wide range of chemicals and solvents

**STREAMLINE YOUR OPERATIONS WITH TRUSTED
- PUSH BUTTON STATION**



06

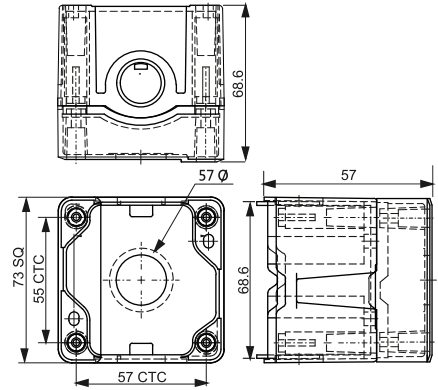
PUSH BUTTON STATION

Introducing the Elettro Industrial Push Button Station, revolutionizing control systems in the industrial sector. Designed for reliability and ease of use, this cutting-edge product is perfect for operators requiring efficient and precise control over their machinery. The Elettro Push Button Station boasts a robust construction, built to withstand the harshest working conditions. With its ergonomic design, operators can easily access the intuitive push buttons, allowing for quick response times and enhanced productivity. The station's modular configuration offers flexible customization options, ensuring seamless integration into existing setups. Experience seamless control like never before with the Elettro Industrial Push Button Station, setting new standards in industrial automation.

ETPB-01 (1 Way)




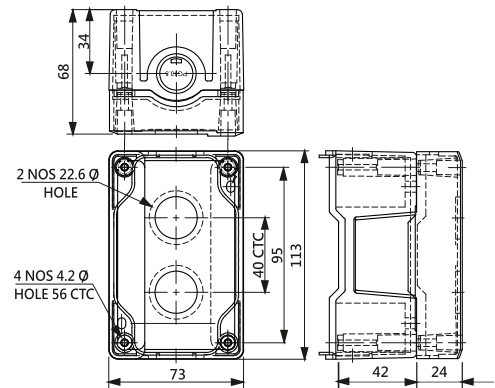
Size	73 mm x 73 mm x 68 mm
Colour shade	BLACK & TOP White
Material	ABS
Screw	Mild steel (chrome plated) M4 x 19mm
Density	Approximately 1.06 g/Cm ²
Approvals	



ETPB-02 (2 Way)




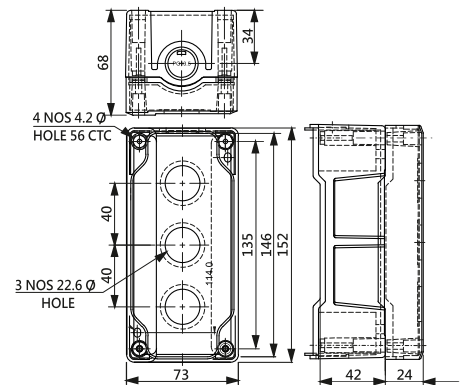
Size	113 mm x 73 mm x 68 mm
Colour shade	BLACK & TOP White
Material	ABS
Screw	Mild steel (chrome plated) M4 x 19mm
Density	Approximately 1.06 g/Cm ²
Approvals	



ETPB-03 (3 Way)



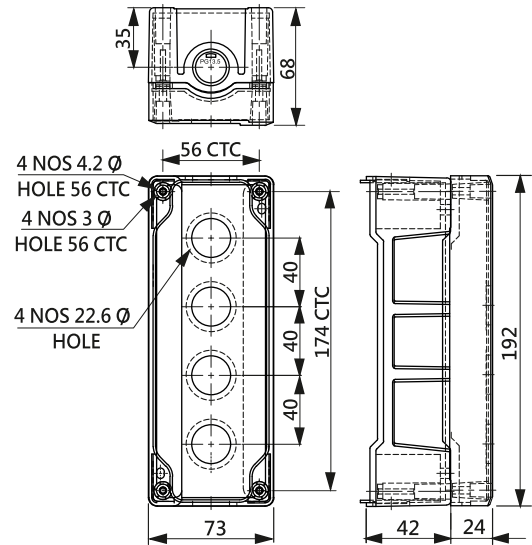
Size	153 mm x 73 mm x 68 mm
Colour shade	BLACK & Top White
Material	ABS
Screw	Mild steel (chrome plated) M4 x 19mm
Density	Approximately 1.06 g/Cm ²
Approvals	



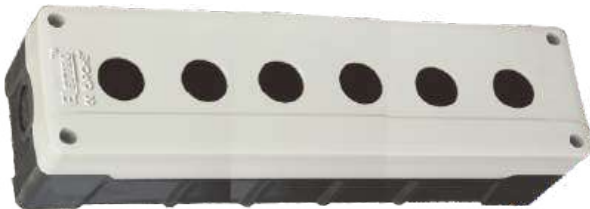
ETPB-04 (4 Way)




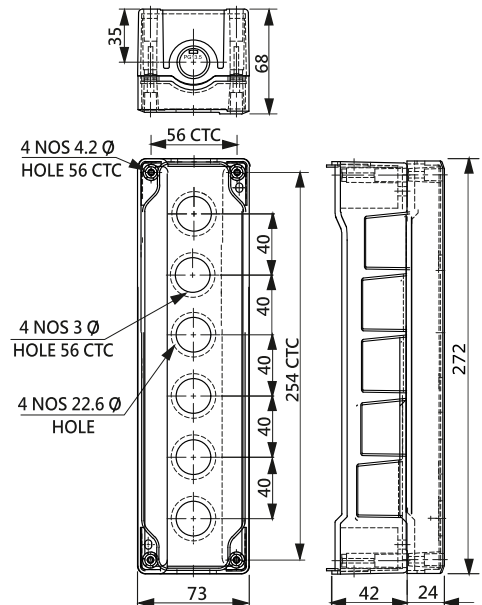
Size	192 mm x 73 mm x 68 mm
Colour shade	BLACK & TOP White
Material	ABS
Screw	Mild steel (chrome plated) M4 x 19mm
Density	Approximately 1.06 g/Cm ²
Approvals	



ETPB-06 (6 Way)



Size	252 mm x 73 mm x 68 mm
Colour shade	BLACK & TOP White
Material	ABS
Screw	Mild steel (chrome plated) M4 x 19mm
Density	Approximately 1.06 g/Cm ²
Approvals	



ELETTRO Push Button Station (1 Way to 6Way)



ELETTRO Push Button Stations are designed for efficient control in industrial and commercial applications. Available in 1 way to 6way configurations they feature durable enclosure, easy installation, and reliable operation. made from high-quality materials, they ensure safety, longevity, and superior performance in electrical control systems.

SWITCH SMARTER WITH RELIABLE CONTROL.



07

TOGGLE, L.T. CONTROL & PANEL DOOR SWITCHES

ELETTRO Toggle Switches : 6 Amp to 15 Amp Reliable Control, Durable Performance

ELETTRO toggle switches are designed to deliver unmatched reliability and precision for a wide range of electrical applications. Supporting current ratings from 6 amps to 15 amps, these switches are ideal for residential, commercial, and industrial use.

Built with premium materials, ELETTRO toggle switches ensure durability and long-lasting performance. The smooth toggle mechanism provides effortless operation, while the compact, ergonomic design enhances usability and complements any panel or enclosure.

Safety is at the core of ELETTRO's design philosophy. Each switch features flame retardant housing and insulated components, adhering to international safety standards. High conductivity terminals promote efficient power transfer, minimizing energy loss and ensuring consistent performance.

Available in multiple configurations, such as single - pole single - throw (SPST) and double pole double throw (DPDT), ELETTRO switches offer versatile solutions for various needs, including lighting, HVAC systems, and machinery control. Installation is straightforward, thanks to user - friendly terminals that simplify wiring.

ELETTRO toggle switches combine quality, functionality, and style, making them the preferred choice for professionals and DIY enthusiasts alike. Choose ELETTRO toggle switches for precise control, dependable performance, and a touch of sophistication in every toggle. Reliable, safe, and efficient- ELETTRO delivers excellence in every switch.

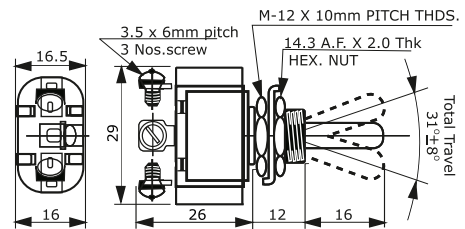
TOGGLE SWITCHES

Electrical and Mechanical Specifications

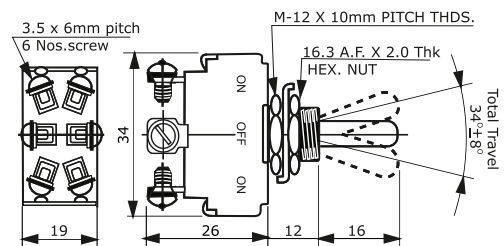
- Housing material : Polybutylene Terephthalate (PBT)
- Rated and uninterrupted current : 6A, 10A, 15A, & 20A
- Rated operating frequency : 50 Hz / 60 Hz
- Rated operating voltage : 205 V. AC
- Ambient temperature : -10°C to 55°C
- Rated impulse voltage : 1.5 Kv for one minute



SINGLE POLE UNSEALED



DOUBLE POLE UNSEALED



6A/10A/15A 250AC SINGLE & DOUBLE POLE

Cat. No.	Description	Rating
ETS-601	SPST ON-OFF	6A
ETS-602	SPDT ON-ON	6A
ETS-603	SPDT ON-OFF-ON	6A CENTARE OFF
ETS-606	DPST ON-OFF	6A
ETS-607	DPDT ON-ON	6A
ETS-608	DPDT ON-OF-ON	6A CENTARE OFF
ETS-1001	SPDT ON-ON	10A
ETS-1002	SPDT ON-ON	10A
ETS-1003	SPDT ON-OFF-ON	10A CENTARE OFF
ETS-1006	DPDT ON-OFF	10A
ETS-1007	DPDT ON-ON	10A
ETS-1008	DPDT ON-OF-ON	10A CENTARE OFF
ETS-1501	SPDT ON-OFF	15A
ETS-1502	SPDT ON-ON	15A
ETS-1503	SPDT ON-OFF-ON	15A CENTARE OFF
ETS-1506	DPDT ON-OFF	15A
ETS-1507	DPDT ON-ON	15A
ETS-1508	DPDT ON-OFF-ON	15A CENTARE OFF

L.T. CONTROL SWITCHES

ELETTRO L&T control switches (16A & 32A) are built for precision and reliability.

Featuring steel handles for durability and backlit handles for better visibility they ensure seamless operation even in low-light conditions.

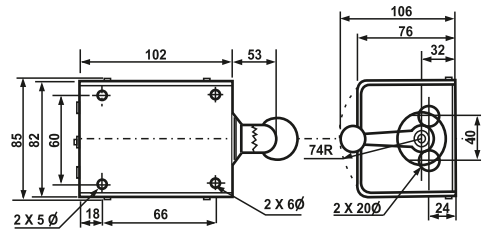
Designed to offer high endurance, smooth switching, and superior safety industrial and electrical panel applications, these switches.

With a compact and ergonomic design, **ELETTRO** control switches guarantee efficient power control with long-lasting performance.

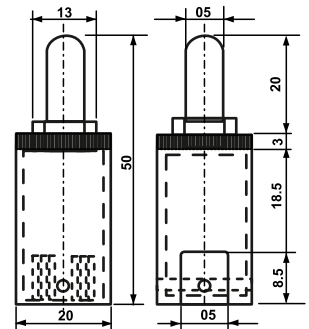


RATING	ON-OFF	REVERSING	CHANGEOVER
16 Amps.	SIT	SIT	SIT
440 Volts	EO.16	EO.16	EO.16
AC 50 Hz.			

Cat. No	Description
ET-16	Backlite Handle Round Model 16 A 440 V
ET-16SH	Steel Handle Round Model 16 A 440 V
ET-32SH	32 Amp. 440v Revers Forward Switch With Steel Handle



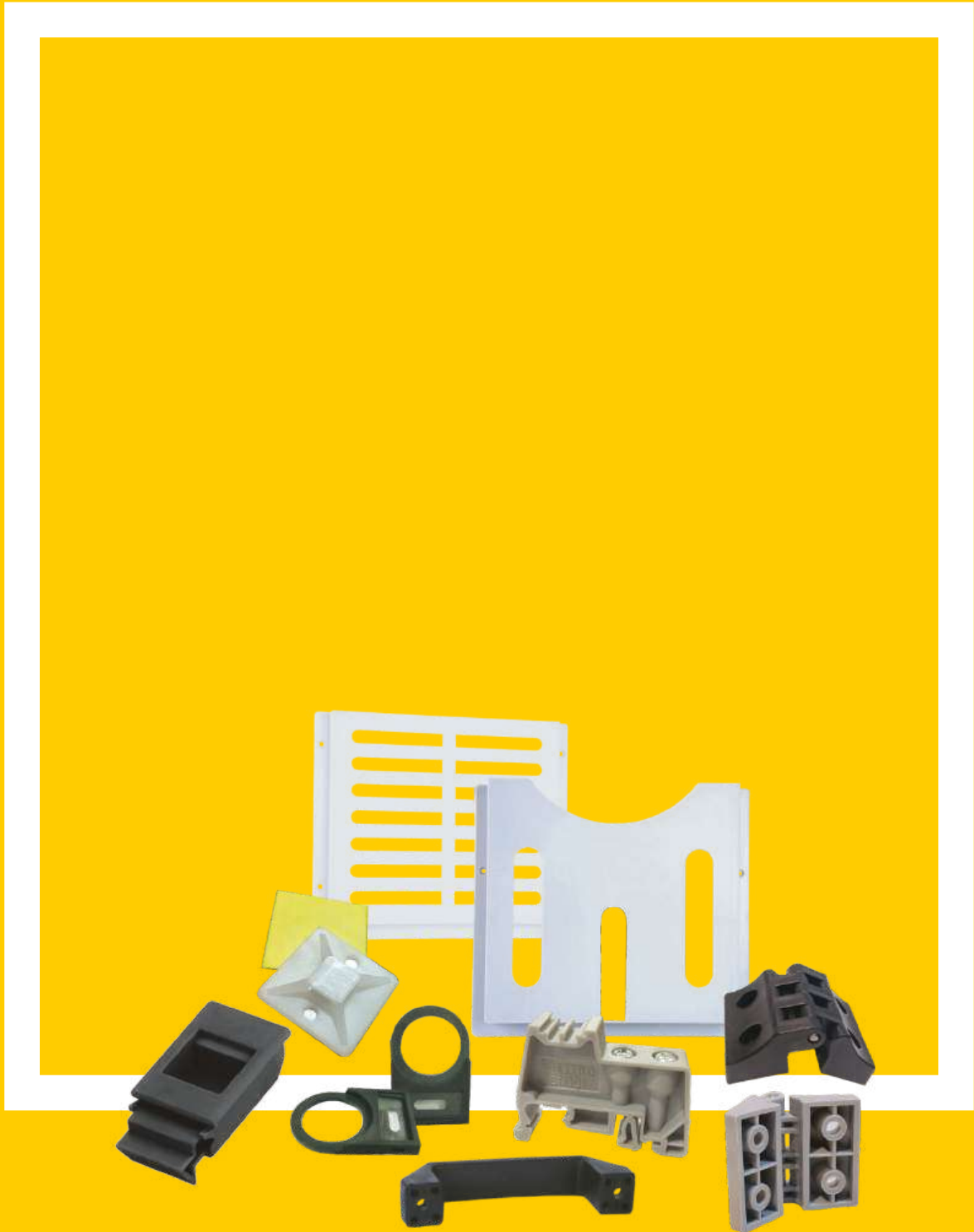
PANEL DOOR SWITCHES



SPECIFICATIONS

Model Number	ETDS-01
Switch Type	Single Pole Double Throw (SPDT) / Double Pole Double Throw (DPDT)
Current Rating	2 Amps
Voltage Rating	250V AC Single
Colour Options	White, Black
Durability	Rated for 10,000+ switching cycles
Dielectric Strength	1500V AC for 1 minute
Mechanical Life	50,000 cycles
Electrical Life	10,000 cycles
Operating Temperature	-25°C to +85°C
Storage Temperature	-30°C to +85°C

RELIABLE COMPONENTS, SEAMLESS PERFORMANCE



08



OTHER ACCESSORIES

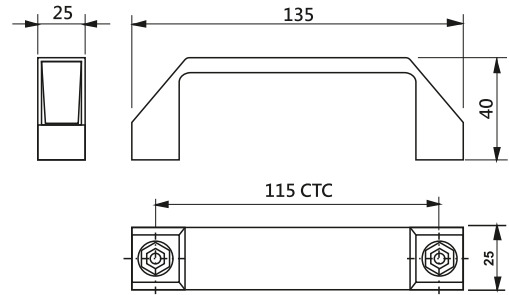
At our ELETTRO brand stands for innovation and quality in industrial components. We offer a wide range of products, including pocket handles, pocket handles, handles, document holders, side locks (22.5mm), polyamide blankets, end stoppers, and polyamide hinges. Our products are designed for durability, functionality, and ease of use, catering to diverse applications in electrical and industrial settings. Whether it's the ergonomic design of our handles, the reliability of our locks, or the seamless operation of our hinges, every ELETTRO product is engineered to deliver top notch performance.

Manufactured from high quality materials like ABS, polyamide, and metal, our components are resistant to wear, corrosion, and environmental factors. ELETTRO products undergo strict quality checks to ensure safety, longevity, and compliance with international standards. Choose ELETTRO for dependable, high performance solutions that empower your industrial needs.

ETPL - 06





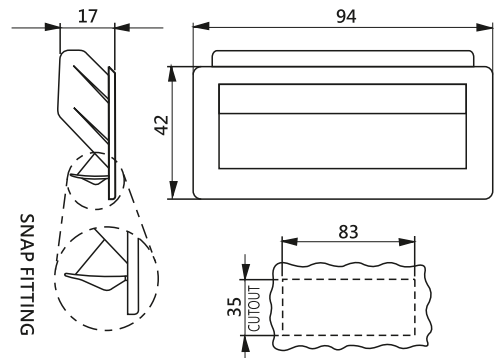
Size	135mm x 25mm x 40mm {115mm CTC}
Material	Polyamide 6
Colour shade	Black
Density	Approximately 1.13 g/Cm ²
Approvals	 



ETPL - 07





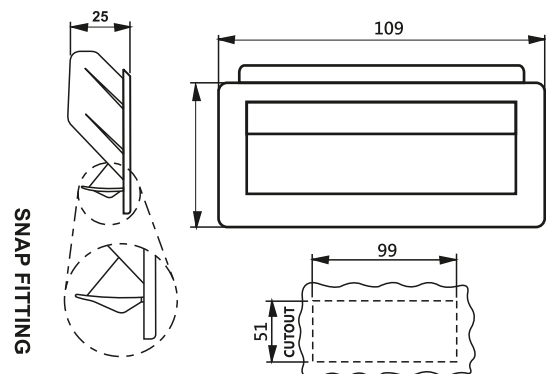
Size	94mm x 42mm x 17mm {94mm }
Material	Polyamide 6
Colour shade	Black
Density	Approximately 1.13 g/Cm ²
Approvals	 



ETPL - 07 -01




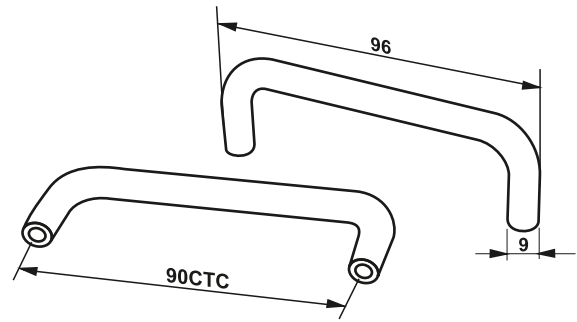
Size	109mm x 51mm x 25mm {109mm }
Material	Polyamide 6
Colour shade	Black
Density	Approximately 1.13 g/Cm ²
Approvals	 



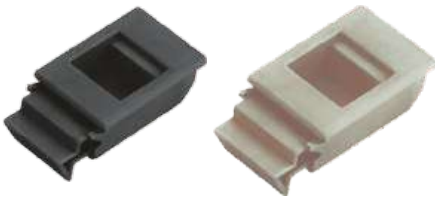
ETPL - 09




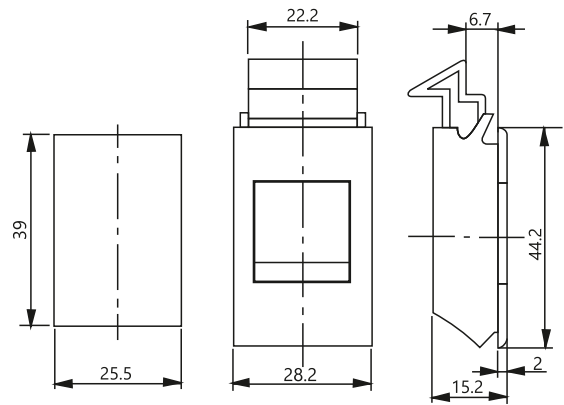
Size	96mm x 9Ø mm x 25mm {90mm }
Material	Polyamide 6
Colour shade	Black
Density	Approximately 1.13 g/Cm ²
Approvals	



ETSL - 01




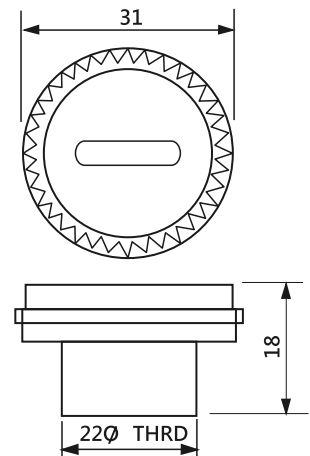
Size	45mm x 28mm x 15mm
Material	Polyamide 6
Colour shade	Black/Gray
Density	Approximately 1.13 g/Cm ²
Approvals	



ETBL - 01





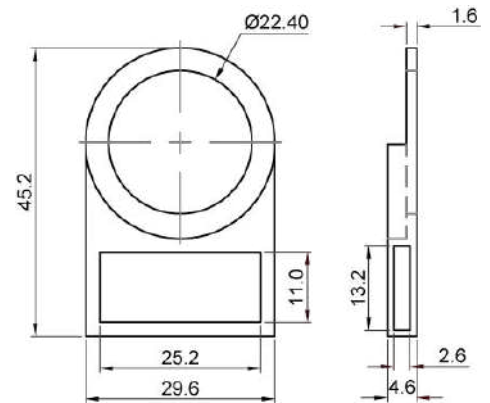
Size	22.5Ø mm Thrd. x 18mm H {Blanker }
Material	Polyamide 6
Colour shade	Black
Density	Approximately 1.13 g/Cm ²
Approvals	



ETLP - 01





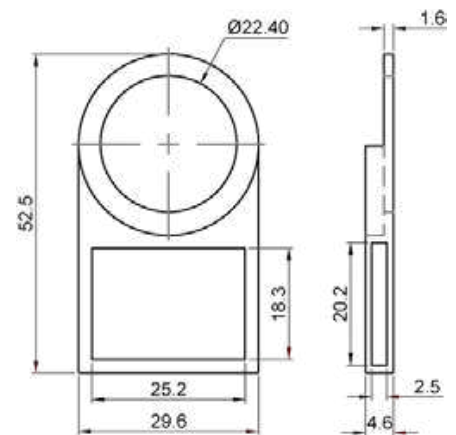
Size	25mm x 11mm x 22.2 \varnothing mm Legend Plate
Material	Polyamide 6
Colour shade	Black
Density	Approximately 1.13 g/Cm ²
Approvals	 



ETLP - 02





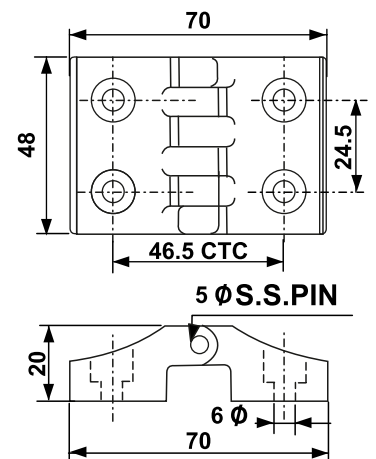
Size	25mm x 18mm x 22.2 \varnothing mm Legend Plate
Material	Polyamide 6
Colour shade	Black
Density	Approximately 1.13 g/Cm ²
Approvals	 




ETHL - 01

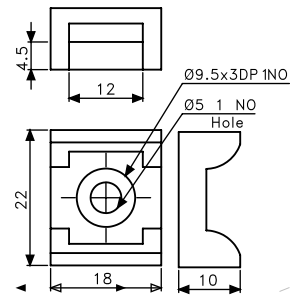


Size	50mm x 50mm WITH SS PIN
Material	Polyamide 6
Colour shade	Black / Gray
Density	Approximately 1.13 g/Cm ²
Approvals	 



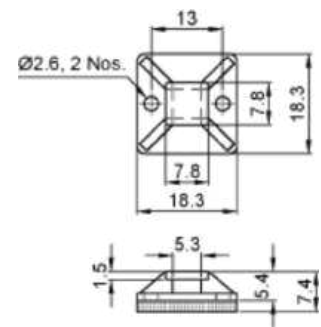
ET-4 [PA]

Size	22.5 mm x 16 mm x 9.8 mm
Material	Polyamide 6
Colour shade	White and Black
Density	Approximately 1.13 g/Cm ²
Mounting method	6mm Screw
Approvals	



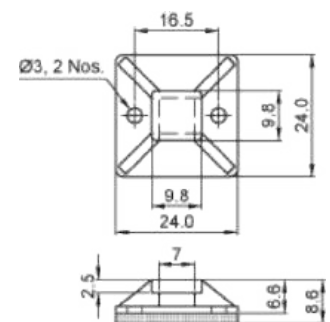
ETHD - 19

Size	19mm x 19mm
Material	HDPE
Colour shade	White
Gasket	Self Adhesive Gasket
Density	Approximately 0.93 g/Cm ²



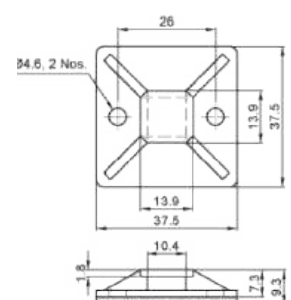
ETHD - 25

Size	25mm x 25mm
Material	HDPE
Colour shade	White
Gasket	Self Adhesive Gasket
Density	Approximately 0.93 g/Cm ²

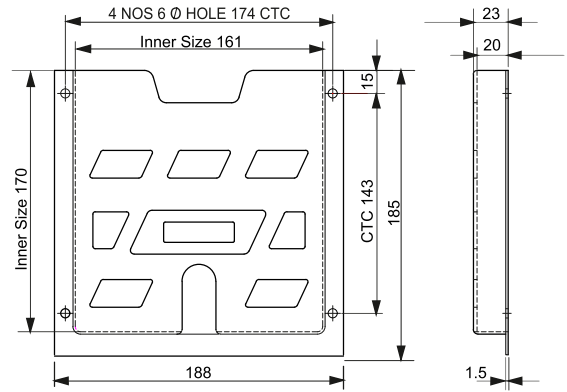



ETHD - 40

Size	40mm x 40mm
Material	HDPE
Colour shade	White
Gasket	Self Adhesive Gasket
Density	Approximately 0.93 g/Cm ²

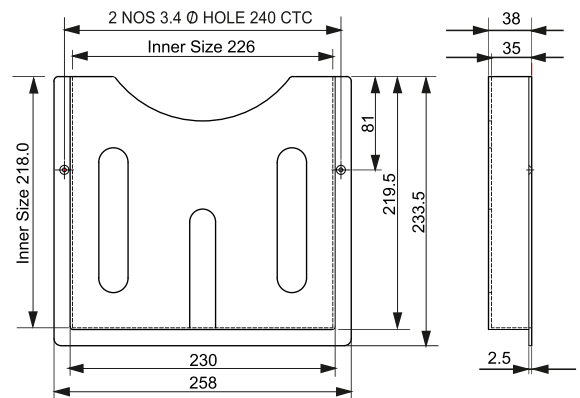



ETDH - 01 Small document holder



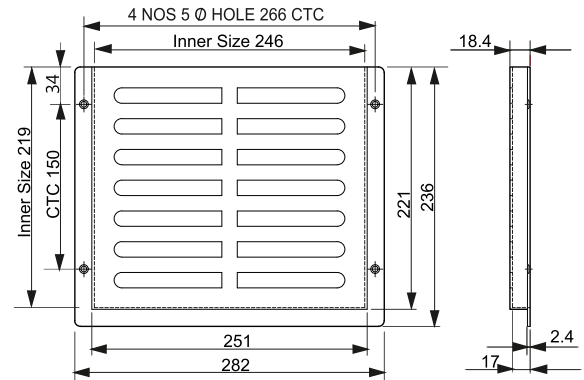
Size	A-5 (20 mm deep- screw fit)
Material	ABS
Colour shade	RAL -7035
Density	Approximately 1.06 g/Cm ²
Size with specification	188 mm x 185 mm x 20 mm with adhesive double sided tape
Approvals	


ETDH - 02 Big document holder



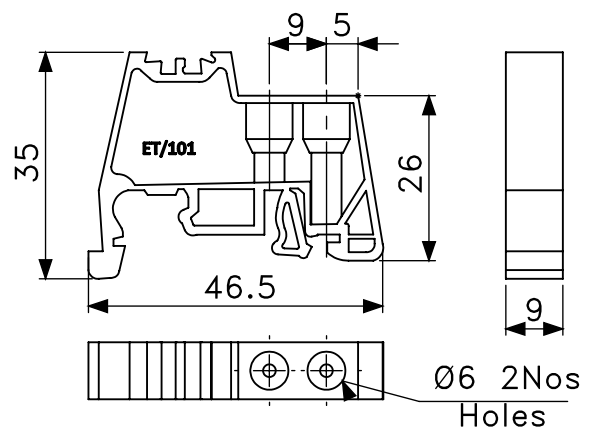
Size	A-4 (35 mm deep- screw fit)
Material	ABS
Colour shade	RAL -7035
Density	Approximately 1.06 g/Cm ²
Size with specification	285 mm x 235 mm x 35 mm with adhesive double sided tape
Approvals	

ETDH - 03 Big document holder

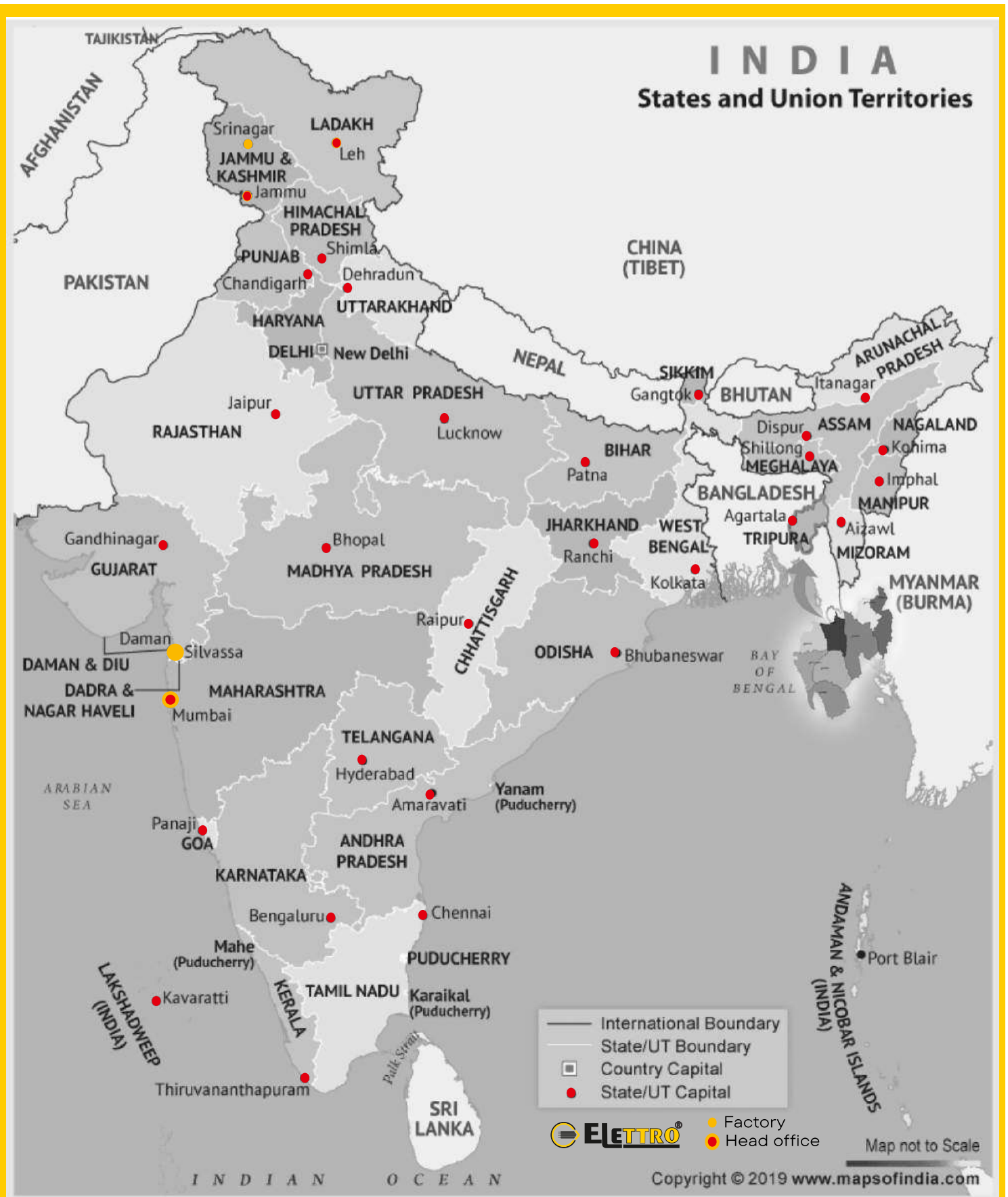


Size	A-4 (17 mm deep 4 screw fit)
Material	ABS
Colour shade	RAL -7035
Density	Approximately 1.06 g/Cm ²
Size with specification	282 mm x 236 mm x 17 mm with adesive double sided tape
Approvals	

ETEC - 101



Size	46mm x 35mm x 26mm End Stopper
Material	ABS
Screw	Mild steel (zinc plated)
Colour shade	Gray
Density	Approximately 1.06 g/Cm ²
Approvals	



Our All India Distributor Network ensures that **ELETTRO** products reach every corner of the country. With a strong presence in major cities and regions, our distributors are at every corner of the country. With a strong presence in major cities and regions, our distributors are committed to providing timely delivery and superior customer service. This map highlights the extensive network that connects us with our valued customers, ensuring accessibility, reliability, and excellence across India. Whether you're in the north, south, east, or west, you can count on our dedicated distributors to serve you with the best quality products and support."



Expanding Globally with Excellence

ELETTRO is committed to delivering high quality electrical and electronic solutions across the globe, With a strong presence in international markets we ensure reliable products that meet global standards. Our expanding distribution network and efficient supply chain empower industries worldwide. Partner with ELETTRO for innovation, quality, and seamless global exports.



ELETTRO[®]

Strong Connections, Stronger Performance....

Manufacture by :

K.N. Elettro Industries Pvt. Ltd.

Office: B-3/F 1st Floor, Malad Industrial Unit Co-Op Society,
Kanchanpada, Malad (West) Mumbai-40064. INDIA
Email: marketing@elettro.in Web: www.elettro.in

Factory: House no 285/L, Survey no-168/49, Dabhel industrial co-op soc.ltd,
Village aantitawad, Dabhel, Daman,-396210.

